

## Embedded Solutions



### PCIe M.2 SSDs

## MTE370T

Transcend's M.2 2230 SSD MTE370T features state-of-the-art 3D NAND technology, which allows 112 layers of 3D NAND flash chips to be vertically stacked. This density breakthrough greatly improves storage efficiency. The MTE370T features the PCI Express (PCIe) Gen 3 x4 interface and is compatible with NVMe Express (NVMe) 1.3 specifications to achieve never-before-seen transfer speeds. Applied with the 30 $\mu$ m gold finger PCB and Corner Bond technology, the MTE370T is fully tested in-house to guarantee reliability in mission-critical applications, boasting an endurance rating of 3K Program/Erase cycles and an extended operating temperature ranging from -20°C~75°C.

### Hardware Features

- Compliant with RoHS 2.0 standards
- Compliant with NVMe Express specification 1.3
- Compliant with PCI Express specification 3.1
- Space-saving M.2 form factor (30mm) – ideal for mobile computing devices
- Single-sided to fit perfectly in small form factor devices

### Ordering Information

256GB	TS256GMTE370T
512GB	TS512GMTE370T

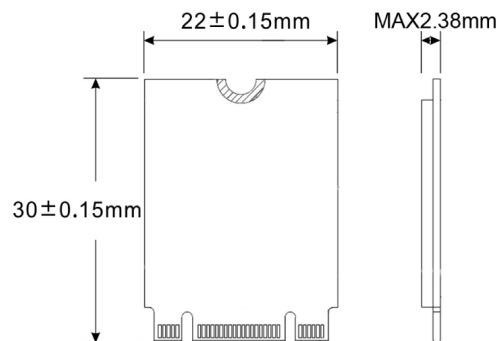
### Firmware Features

- Supports NVM command
- SLC caching technology
- Dynamic thermal throttling
- Built-in LDPC ECC (Error Correction Code) functionality
- Advanced Garbage Collection

## Specifications

<b>Appearance</b>	Dimensions	30 mm x 22 mm x 2.38 mm (1.18" x 0.87" x 0.08")
	Weight	4 g (0.14 oz)
	Form Factor	M.2
	M.2 Type	2230-S3-M
<b>Interface</b>	Bus Interface	NVMe PCIe Gen3 x4
<b>Storage</b>	Flash Type	112-layer 3D NAND flash
	Capacity	256 GB / 512 GB
<b>Operating Environment</b>	Operating Voltage	3.3V±5%
	Operating Temperature	Extended Temp. -20°C (-4°F) ~ 75°C (185°F)
	Storage Temperature	-55°C (-67°F) ~ 75°C (167°F)
	Humidity	5% ~ 95%
	Shock	1500 G, 0.5 ms, 3 axis
	Vibration (Operating)	20 G (peak-to-peak), 7 Hz ~ 2000 Hz (frequency)
<b>Power</b>	Power Consumption (Operation)	3.3 watt(s)
	Power Consumption (IDLE)	0.4 watt(s)
<b>Performance</b>	Sequential Read/Write (CrystalDiskMark)	Read: up to 2,000 MB/s Write: up to 1,100 MB/s
	4K Random Read/Write (IOMeter)	Read: up to 90,000 IOPS Write: up to 220,000 IOPS
	Mean Time Between Failures (MTBF)	3,000,000 hour(s)
	Terabytes Written (TBW)	up to 480 TBW
	Drive Writes Per Day (DWPD)	2.0 (3 yrs)
<b>Warranty</b>	Certificate	CE / FCC / BSMI / UKCA
	Warranty	Three-year Limited Warranty

## Mechanical Dimensions



Product specifications are subject to change without notice. Pictures shown may differ from actual products. Total accessible capacity varies depending on operating environment. Due to the complexity and variety of industrial applications, Transcend cannot guarantee 100% compatibility with all platforms and under all scenarios. For special applications and environments, it is strongly suggested that you contact Transcend beforehand for clarification.