

PLUG: RM352-152-321-5500
RECEPTACLE: RM322-152-211-5500
 XXXXX-XXX-XXX-XXXXXX

PLUG

RECEPTACLE

SERIES	
RM .075" Screw Machine PC Connector	RM .075" Screw Machine PC Connector

BODY	
3 3-Row	3 3-Row
BODY STYLE:	BODY STYLE:
5 Plug, right angle, with mounting ears	2 Receptacle, straight, with mounting ears
7 Plug, right angle, without mounting ears	4 Receptacle, straight, without mounting ears
BODY MATERIAL:	BODY MATERIAL:
2 Polyphenylene sulfide (PPS)	2 Polyphenylene sulfide (PPS)

SIZE	
011, 023, 035, 047, 059, 071, 080, 092, 104, 122, 140, 152, 182, 206	011, 023, 035, 047, 059, 071, 080, 092, 104, 122, 140, 152, 182, 206

CONTACTS	
TYPE CONTACTS/TERMINATIONS:	TYPE CONTACTS/TERMINATIONS:
31 Pin, right angle, dip solder, .109" x .020" dia	20 Socket, straight, dip solder, .109" x .020" dia
32 Pin, right angle, dip solder, .140" x .020" dia	21 Socket, straight, dip solder, .140" x .020" dia
33 Pin, right angle, dip solder, .172" x .020" dia	22 Socket, straight, dip solder, .172" x .020" dia
34 Pin, right angle, dip solder, .109" x .016" dia	23 Socket, straight, dip solder, .250" x .020" dia
35 Pin, right angle, dip solder, .140" x .016" dia	24 Socket, straight, solder cup
36 Pin, right angle, dip solder, .172" x .016" dia	25 Socket, straight, flex circuit, 093" x .017" dia
37 Pin, right angle, dip solder, .250" x .020" dia	26 Socket, straight, wire wrap®, .500" x .018 sq
	27 Socket, straight, wire wrap®, .375" x .018 sq
	28 Socket, straight, wire wrap®, .625" x .018 sq
	29 Socket, connector saver, .150" x .025" dia
	50 Socket, straight, dip solder, .140" x .016" dia
	51 Socket, straight, dip solder, .172" x .016" dia
	53 Socket, straight, stacking, .212" x .025" dia
	54 Socket, straight, stacking, .244" x .025" dia
	55 Socket, straight, stacking, .275" x .025" dia
	64 Socket, straight, press-fit, .203" (Board .093"-1.125" thk)
	65 Socket, straight, press-fit, .323" (Board .156"-1.200" thk)
	66 Socket, straight, press-fit, .403" (Board .250"+ thk)

PLATING OPTIONS:	PLATING OPTIONS:
1 Gold plated termination	1 Gold plated termination
2 Pre-tinned termination, SnPb alloy <input checked="" type="checkbox"/>	2 Pre-tinned termination, SnPb alloy (dip solder options only) <input checked="" type="checkbox"/>
3 Pre-tinned termination, SAC305 alloy	3 Pre-tinned termination, SAC305 alloy (dip solder options only)

HARDWARE	
STYLE OF HARDWARE: (See R-41 & R-42 for all options)	STYLE OF HARDWARE: (See R-41 & R-42 for all options)
0256 None	0256 None
55 Guide set	55 Guide set
57 Two guide pins	57 Two guide pins
58 Two guide sockets	58 Two guide sockets
29 Fixed jackset	29 Fixed jackset
30 Fixed jackset, reversed	30 Fixed jackset, reversed
19 Two fixed jackscrews	19 Two fixed jackscrews
20 Two fixed jacksockets	20 Two fixed jacksockets
59 Hex turning jackset, .200"	59 Hex turning jackset, .200"
60 Hex turning jackset, reversed, .200"	60 Hex turning jackset, reversed, .200"
61 Two hex turning jackscrews, .200"	61 Two hex turning jackscrews, .200"
62 Two hex turning jacksockets, .200"	62 Two hex turning jacksockets, .200"
64 Turning jackset, .490"	64 Turning jackset, .490"
65 Turning jackset, reversed, .490"	65 Turning jackset, reversed, .490"
66 Two turning jackscrews, .490"	66 Two turning jackscrews, .490"
67 Two turning jacksockets, .490"	67 Two turning jacksockets, .490"
POLARIZATION:	POLARIZATION
00 None	00 None
01 thru 68 are special identifiers, see R-38	01 thru 68 are special identifiers, see R-38
70 Same configuration as 01 without Loctite® (To be keyed by customer)	70 Same configuration as 01 without Loctite® (To be keyed by customer)

OPTIONS	
BN Bond #1-72, sm. pattern hex nuts into mtg. ears	

= Option not RoHS compliant

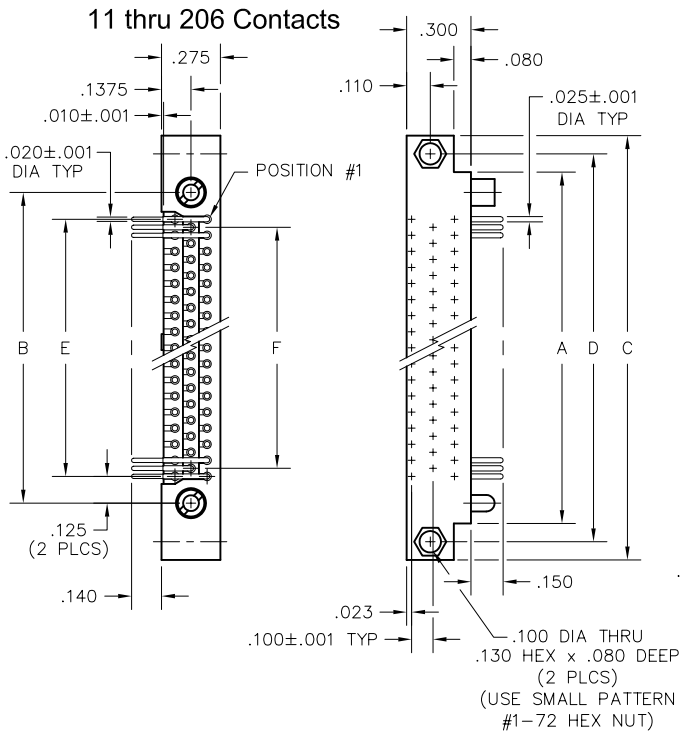
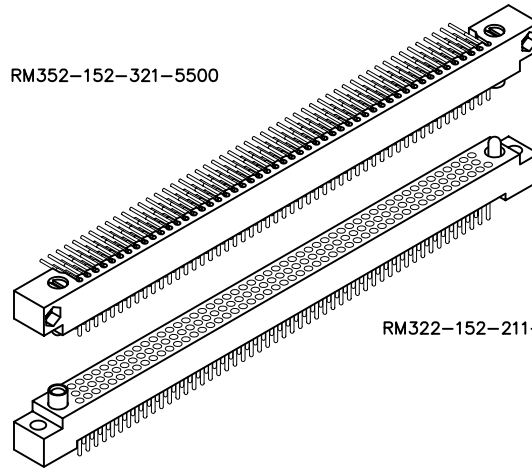
3 • ROW Daughterboard to Motherboard or Chassis

.075"

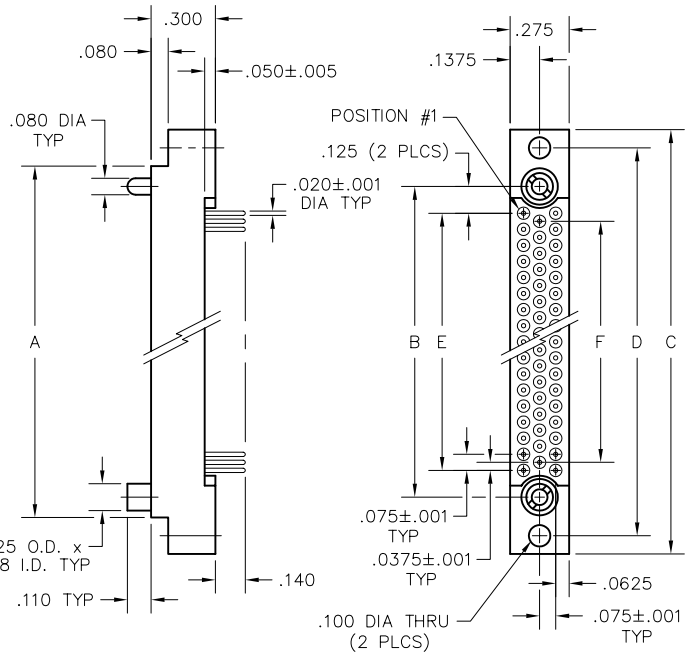
RM3

RM352-152-321-5500

RM322-152-211-5500



PLUG

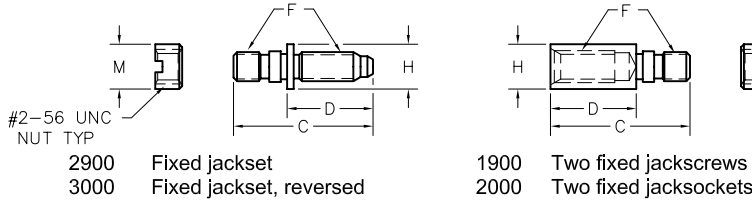


RECEPTACLE

DIMENSIONS						
SIZE	A	B	C	D	E	F
11	.665	.475	1.005	.835	.225	.150
23	.965	.775	1.305	1.135	.525	.450
35	1.265	1.075	1.605	1.435	.825	.750
47	1.565	1.375	1.905	1.735	1.125	1.050
59	1.865	1.675	2.205	2.035	1.425	1.350
71	2.165	1.975	2.505	2.335	1.725	1.650
80	2.390	2.200	2.730	2.560	1.950	1.875
92	2.690	2.500	3.030	2.860	2.250	2.175
104	2.990	2.800	3.330	3.160	2.550	2.475
122	3.440	3.250	3.780	3.610	3.000	2.925
140	3.890	3.700	4.230	4.060	3.450	3.375
152	4.190	4.000	4.530	4.360	3.750	3.675
182	4.940	4.750	5.280	5.110	4.500	4.425
206	5.540	5.350	5.880	5.710	5.100	5.025

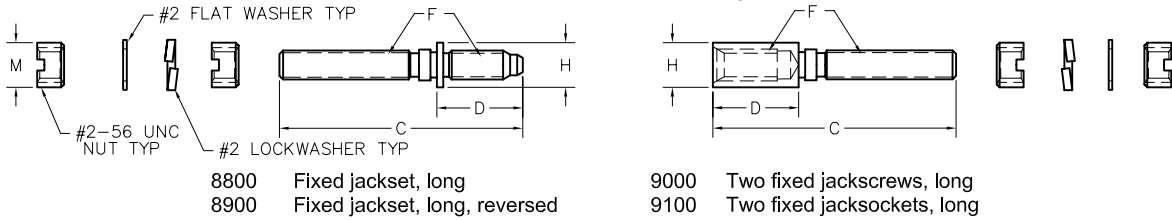
#2-56 Jacksets

Fixed Jacksets



2900 Fixed jackset
3000 Fixed jackset, reversed
1900 Two fixed jackscrews
2000 Two fixed jacksockets

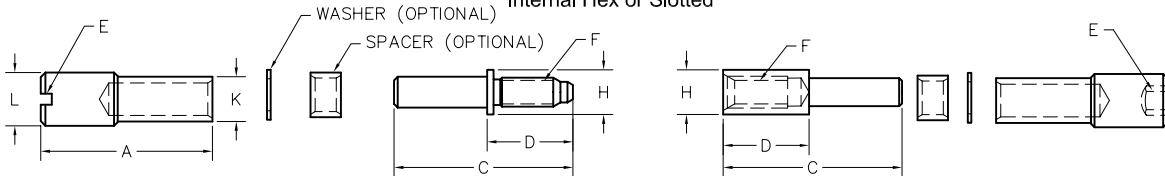
Fixed Jacksets, Long



8800 Fixed jackset, long
8900 Fixed jackset, long, reversed
9000 Two fixed jackscrews, long
9100 Two fixed jacksockets, long

Turning Jacksets

Internal Hex or Slotted



SLOTTED

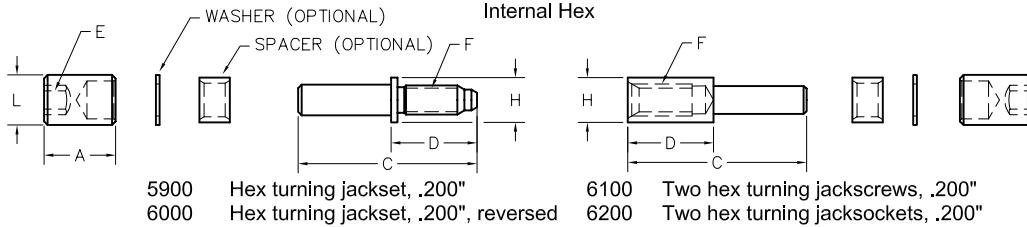
5100 Turning jackset, .700"
5200 Turning jackset, .700", reversed
5300 Two turning jackscrews, .700"
5400 Two turning jacksockets, .700"
6400 Turning jackset, .490"
6500 Turning jackset, .490", reversed
6600 Two turning jackscrews, .490"
6700 Two turning jacksockets, .490"
6800 Turning jackset, .545"
6900 Turning jackset, .545", reversed
7000 Two turning jackscrews, .545"
7100 Two turning jacksockets, .545"

HEX

7200 Hex turning jackset, .490"
7300 Hex turning jackset, .490", reversed
7400 Two hex turning jackscrews, .490"
7500 Two hex turning jacksockets, .490"
7600 Hex turning jackset, .545"
7700 Hex turning jackset, .545", reversed
7800 Two hex turning jackscrews, .545"
7900 Two hex turning jacksockets, .545"
8000 Hex turning jackset, .700"
8100 Hex turning jackset, .700", reversed
8200 Two hex turning jackscrews, .700"
8300 Two hex turning jacksockets, .700"

Low Profile Jacksets

Internal Hex



5900 Hex turning jackset, .200"
6000 Hex turning jackset, .200", reversed
6100 Two hex turning jackscrews, .200"
6200 Two hex turning jacksockets, .200"

Hardware Only

HARDWARE TYPE	PART NUMBER
1900	RM000-000-000-1900
2000	RM000-000-000-2000
2900 or 3000	RM000-000-000-2900 (or -3000)
5100 or 5200	RM000-000-000-5100 (or -5200)
5300	RM000-000-000-5300
5400	RM000-000-000-5400
5900 or 6000	RM000-000-000-5900 (or -6000)
6100	RM000-000-000-6100
6200	RM000-000-000-6200
6400 or 6500	RM000-000-000-6400 (or -6500)
6600	RM000-000-000-6600
6700	RM000-000-000-6700

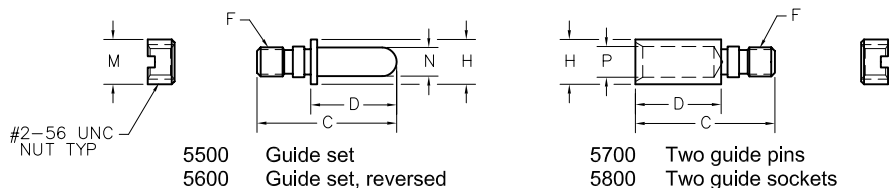
HARDWARE TYPE	PART NUMBER
6800 or 6900	RM000-000-000-6800 (or -6900)
7000	RM000-000-000-7000
7100	RM000-000-000-7100
7200 or 7300	RM000-000-000-7200 (or -7300)
7400	RM000-000-000-7400
7500	RM000-000-000-7500
7600 or 7700	RM000-000-000-7600 (or -7700)
7800	RM000-000-000-7800
7900	RM000-000-000-7900
8000 or 8100	RM000-000-000-8000 (or -8100)
8200	RM000-000-000-8200
8300	RM000-000-000-8300

Notes:

- For spanner nut wrench, order part number TN1680 (refer to page WA-9 in W-Series Catalog).
- When installing fixed jacksets, apply Loctite® to threads.

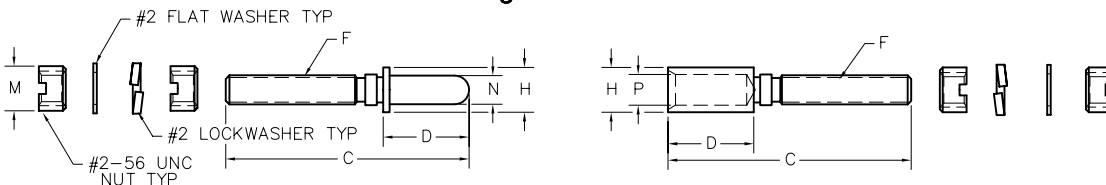
Guide Sets

Guide Sets



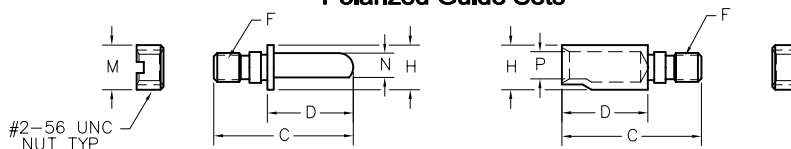
5500 Guide set
5600 Guide set, reversed
5700 Two guide pins
5800 Two guide sockets

Long Guide Sets



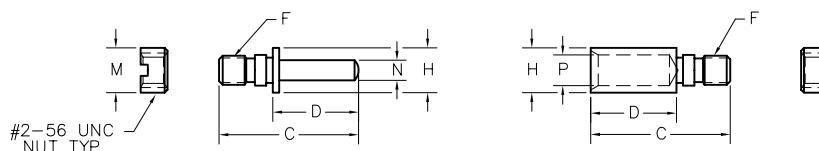
8400 Guide set, long
8500 Guide set, long, reversed
8600 Two guide pins, long
8700 Two guide sockets, long

Polarized Guide Sets



5501 thru 5564, & 5570
Note: For polarization options, see page R-38.

Universal Test Guide Sets



5565 thru 5568
Note: For polarization options, see page R-38.

DIMENSIONS													
HARDWARE TYPE	A	C	D	E	F	H	K	L	M	N	P		
1900/2000/2900/3000	—	.390	.240	—	#2-56 UNC TH'D	.125 DIA	—	—	.125 DIA	—	—		
5100 THRU 5400	.700	.750		.031 x .031 SLOT			—	.125 DIA	.156 DIA	—	—	—	—
5500 THRU 5800	—	—		—			—	—	—	—	—	.080 DIA	.088 DIA
5501 THRU 5564	—	.390		—			—	—	—	—	.125 DIA	.068	.076
5565 THRU 5568	—	—		—			—	—	—	—	—	.056 SQ	.088 DIA
5900 THRU 6200	.200	.500		5/64 INT HEX			—	—	.140 DIA	—	—	—	—
6400 THRU 6700	.490	—		.031 x .031 SLOT			—	—	—	—	—	—	—
6800 THRU 7100	.545	—		—			—	—	—	—	—	—	—
7200 THRU 7500	.490	.750		5/64 INTERNAL HEX			—	—	.125 DIA	.156 DIA	—	—	—
7600 THRU 7900	.545	—		—			—	—	—	—	—	—	—
8000 THRU 8300	.700	—		—			—	—	—	—	—	—	—
8400 THRU 8700	—	—		—			—	—	—	—	.125 DIA	.080 DIA	.088 DIA
8800 THRU 9100	—	.680		—			—	—	—	—	—	—	—

Hardware Only

HARDWARE TYPE	PART NUMBER
5500 or 5600	RM000-000-000-5500 (or -5600)
5501 - 5532	RM000-000-000-5501 (thru -5532)
5533 - 5548	RM000-000-000-5533 (thru -5548)
5549 - 5564	RM000-000-000-5549 (thru -5564)
5565 or 5566	RM000-000-000-5565 (or -5566)
5568	RM000-000-000-5568
5567	RM000-000-000-5567

HARDWARE TYPE	PART NUMBER
5570	RM000-000-000-5570
5700	RM000-000-000-5700
5800	RM000-000-000-5800
8400 or 8500	RM000-000-000-8400 (or -8500)
8600	RM000-000-000-8600
8700	RM000-000-000-8700

To order connector without hardware, place "-0256" in hardware designation area of catalog number

Example: RM322-152-221-0256