

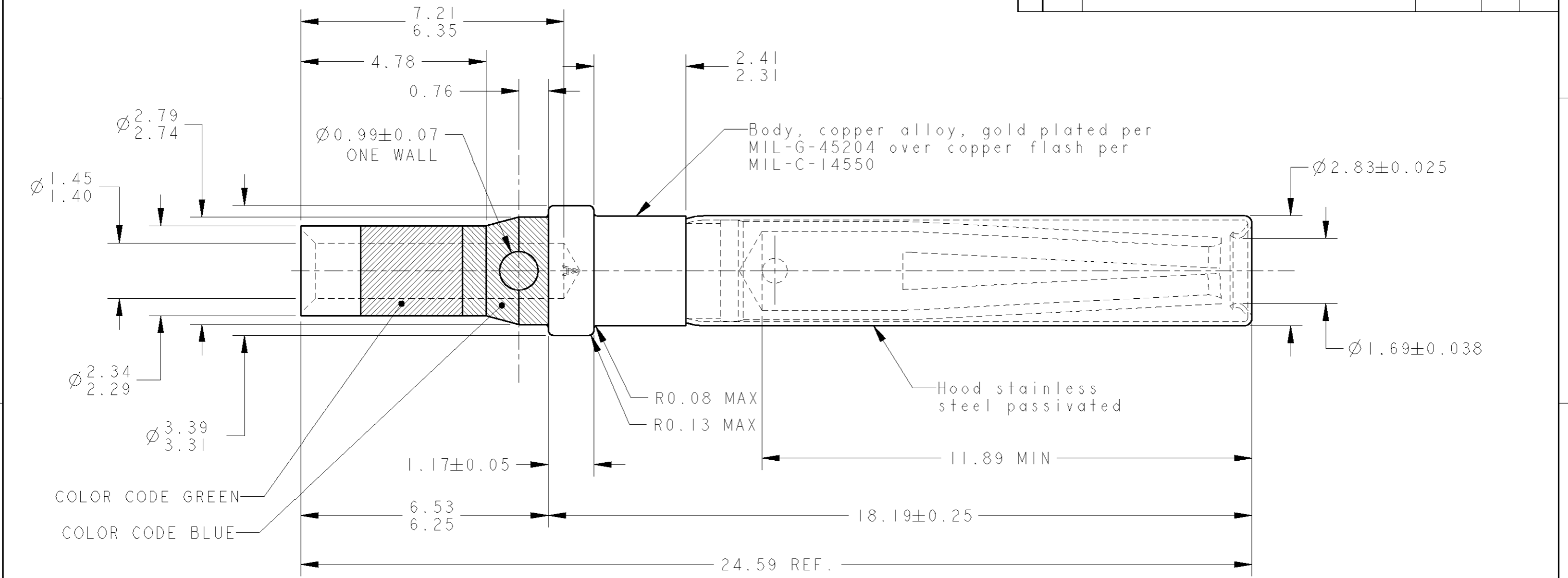
THIS DRAWING IS UNPUBLISHED.  
 DIFFUSION RESTREINTE AMP

RELEASED FOR PUBLICATION  
 LIBRE A LA DIFFUSION

20

© COPYRIGHT 20 BY TYCO ELECTRONICS CORPORATION. ALL RIGHTS RESERVED.  
 TOUS DROITS RESERVES

LOC	DIST	REVISIONS				
P	LTR	DESCRIPTION	DATE	DWN	APVD	
REV	MODIFICATIONS			DESS.	APP.	
F	7	C	REMOVE NAPKIN SPRING	05JUN2001	TC	YP



P/N: 132199-1

CRIMPING HAND TOOL: MS3191-1 OR M22520/1-01  
 LOCATOR M22520/1-02 IN POSITION 5'

THIS DRAWING IS A CONTROLLED DOCUMENT FOR TYCO ELECTRONICS CORPORATION IT IS SUBJECT TO CHANGE AND THE CONTROLLING ENGINEERING ORGANIZATION SHOULD BE CONTACTED FOR THE LATEST REVISION. CE PLAN EST UN DOCUMENT CONTROLE PAR AMP INCORPORATED. IL EST SUSCEPTIBLE D'ETRE REVISE. CONTACTER LE SERVICE TECHNIQUE D'AMP DE FRANCE POUR OBTENIR LA DERNIERE REVISION.		DWN/DESSINE 05JUN2001 T. CORRIOU CHK/VERIFIE 05JUN2001 T. CORRIOU APVD/APPROUVE 05JUN2001 Y. PETRONIN		<b>tyco</b> <b>Electronics</b> TYCO ELECTRONICS France SAS BP 39, 95301 CERGY-PONTOISE Cedex	
DIMENSIONS: mm		TOLERANCES UNLESS OTHERWISE SPECIFIED: TOLERANCES NON SPECIFIEES (SUIV NB DE DECIMALES): 0 PLC/DEC: ± 1 PLC/DEC: ±0.5 2 PLC/DEC: ±0.13 3 PLC/DEC: ±0.013 4 PLC/DEC: ±0.0001 ANGLES ±		NAME TITRE CONTACT ASS'Y, SIZE 16 SOCKET, ARINC REAR RELEASE, TYPE XVII WIRE SIZE 18-22	
MATERIAL / MATIERE & MATERIAL		FINISH / FINITION		PRODUCT SPEC SPEC. PRODUIT APPLICATION SPEC SPEC. APPLICATION	
WEIGHT MASSE APPROX.		SIZE FORMAT A3		CAGE CODE 00779	
CUSTOMER DRAWING / PLAN CLIENT		UNIQUEMENT POUR REFERENCE		DRAWING NO No PLAN C-132199	
SCALE ECHELLE 10:1		SHEET FEUILLE 1		OF DE 1	
REV C		RESTRICTED TO RESERVE A		REV C	