

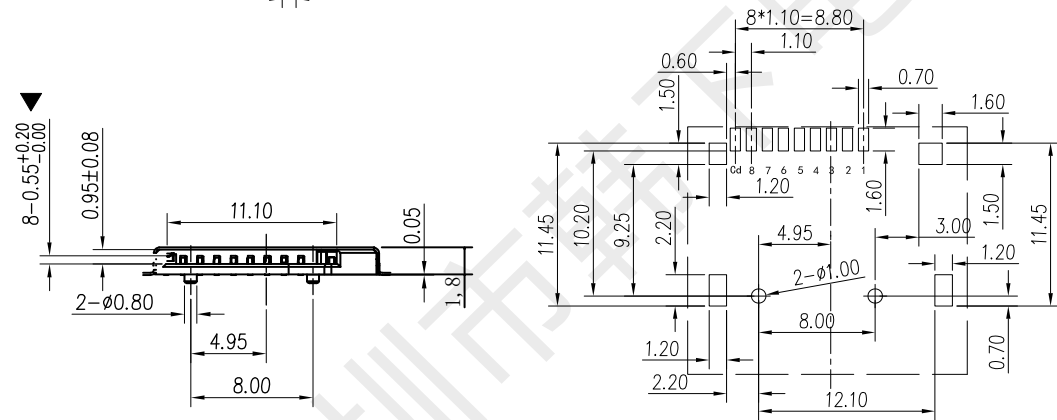
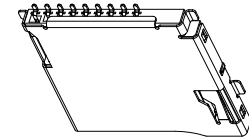
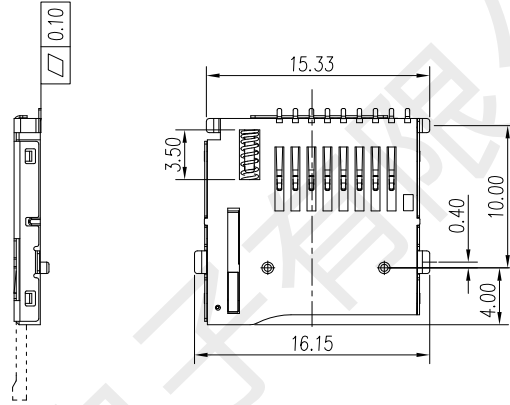
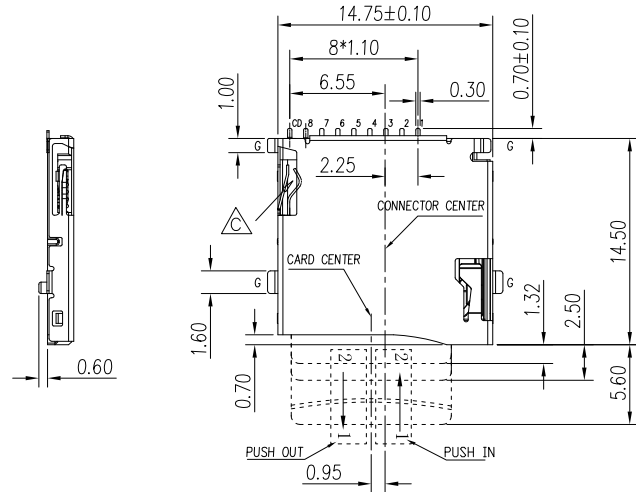
RoHs

PIN NO.	NAME	YTYPE	DESCRIPTION
1	DAT2	I/O/PP	DATE LINE(BIT2)
2	CD/DAT3	I/O/PP	CARD DETECT DATE LIN(BIT3)
3	CMD	PP	COMMAND RESPONSE
4	VDD	S	SUPPLY VOLTAGE
5	CLX	I	CLOCK
6	VSS	S	SUPPLY VOLTAGE GROUND
7	DATO	I/O/PP	DATE LINE(BIT0)
8	DAT1	I/O/PP	DATE LINE(DIT1)

VER	MARK	PR. BY	ECR/ECN	DESCRIPTION	DATE

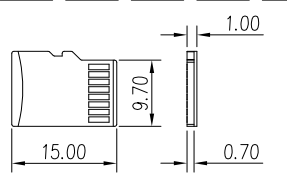
Specification:

- Electrical Characteristics:
  - Contact Current Rating:0.5 Amperes.
  - Dielectric Withstanding Voltage:AC500V r.m.s.
  - Insulation Resistance:1000 MΩ Minimum.
  - Contact Resistance:40 mΩ Maximum.
- Environmental:
  - Operating Temperature:-20°C~+70°C.
- Environmental:
  - Mating Cycles:5,000 Insertions.
- Mechanical Characteristics:
  - Card Push Insertion/Out Force:0.2~1.40kgf.
  - Contact Separation Force:0.20kgf Minimum.
- Material:
  - Insulator:HI-Temp Plastic UL 94V-0 Rated.
  - Contact:Copper Alloy(t=0.15mm).
  - Shell:Stainless Steel(t=0.15mm).
  - Spring:SWP.



RECOMMENDED P.C.B HOLE LAYOUT  
COMPONENT SIDE VIEW(TOLERANCE: +/-0.05)

CUSTOMER		GENERAL TOLERANCES UNLESS SPECIFIED		APPROVED BY: 罗小春			
SIZE A4	UNITS MM[INCH]	X±0.50 .XX±0.35	X*±5.0° .X*±3.0°	CHECKED BY: 张伟	TITLE: HX TF-CARD H1.8	PART NO.: HX TF-01A	
SCALE 1:1	REV. C	.XX±0.25 .XXX±0.15	.XX*±2.5° .XXX*±2.0°	DESIGN BY: 黄彬	DWG NO.:	SHEET 1/2	



T-Flash Card