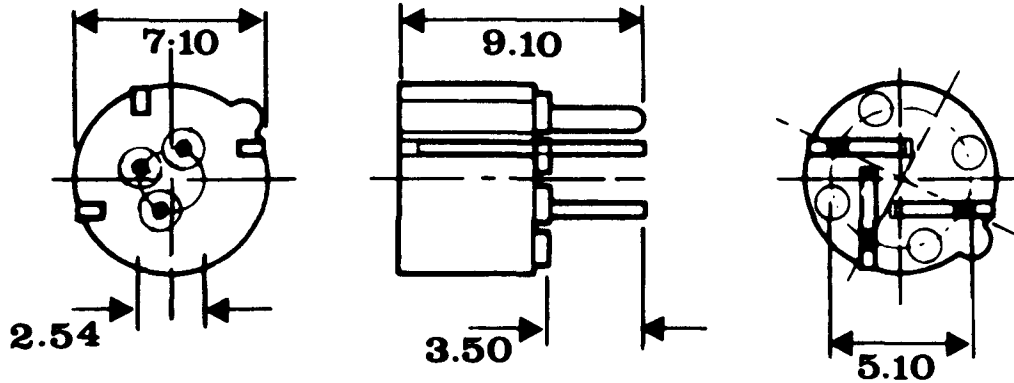




RS Stock No
401-661



- Moulded in 30% glass-filled polyester UL94 V-O
- Contacts gold or tin-plated phosphor bronze
- Tuning fork contacts (except W3463 which is stamped and formed)
- All products have anti-moisture feet which also aid PCB cleaning
- -65°C +150°C temperature range