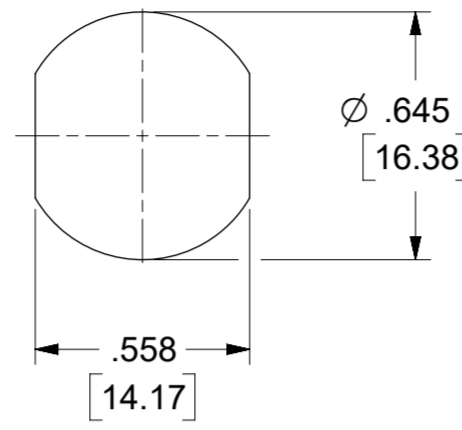
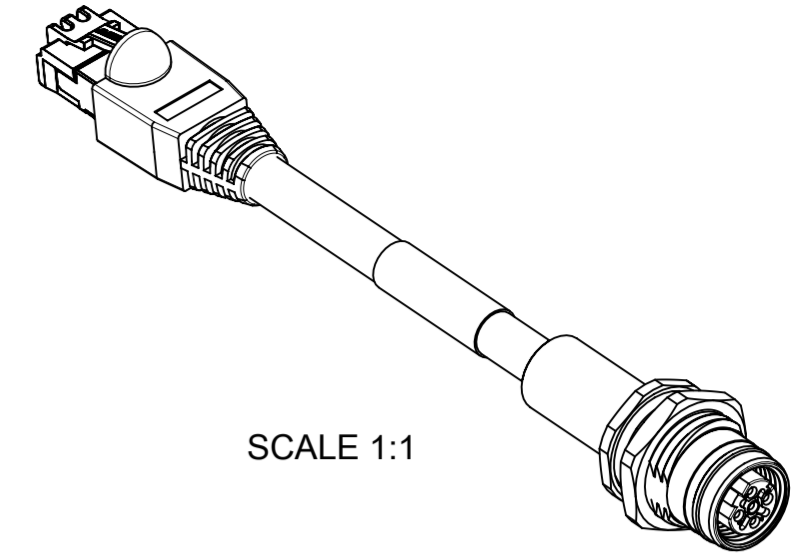
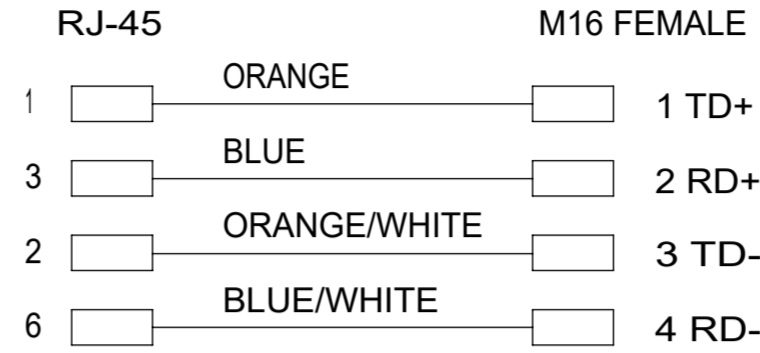


- NOTES:
1. MATERIAL: SEE TABLE
 2. FINISHES: SEE TABLE
 3. ELECTRICAL SPECIFICATIONS:
VOLTAGE RATING: 150V AC/DC
CURRENT RATING: 1.5 AMPS
 4. PROTECTION: IP67
 5. ASSEMBLY IS RoHS COMPLIANT BY EXEMPTION

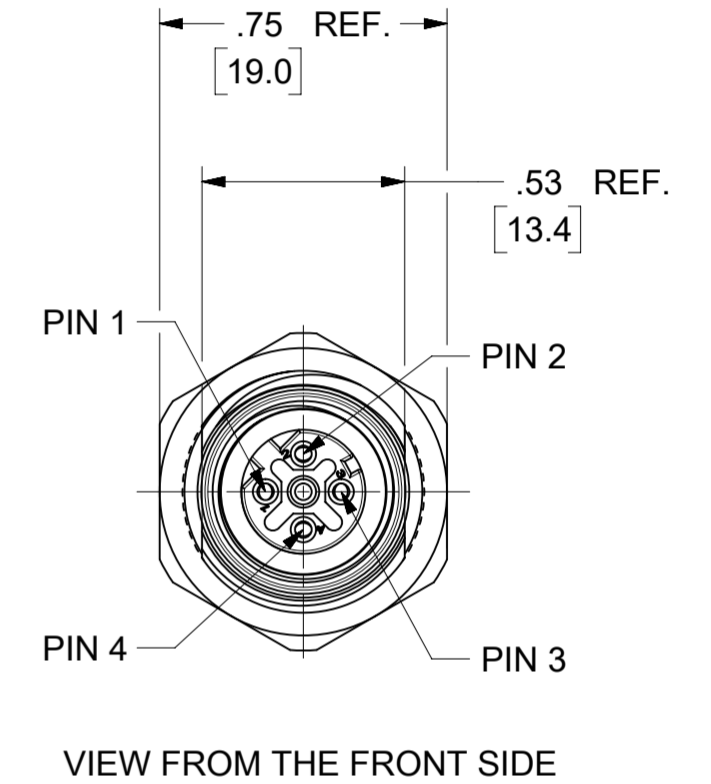
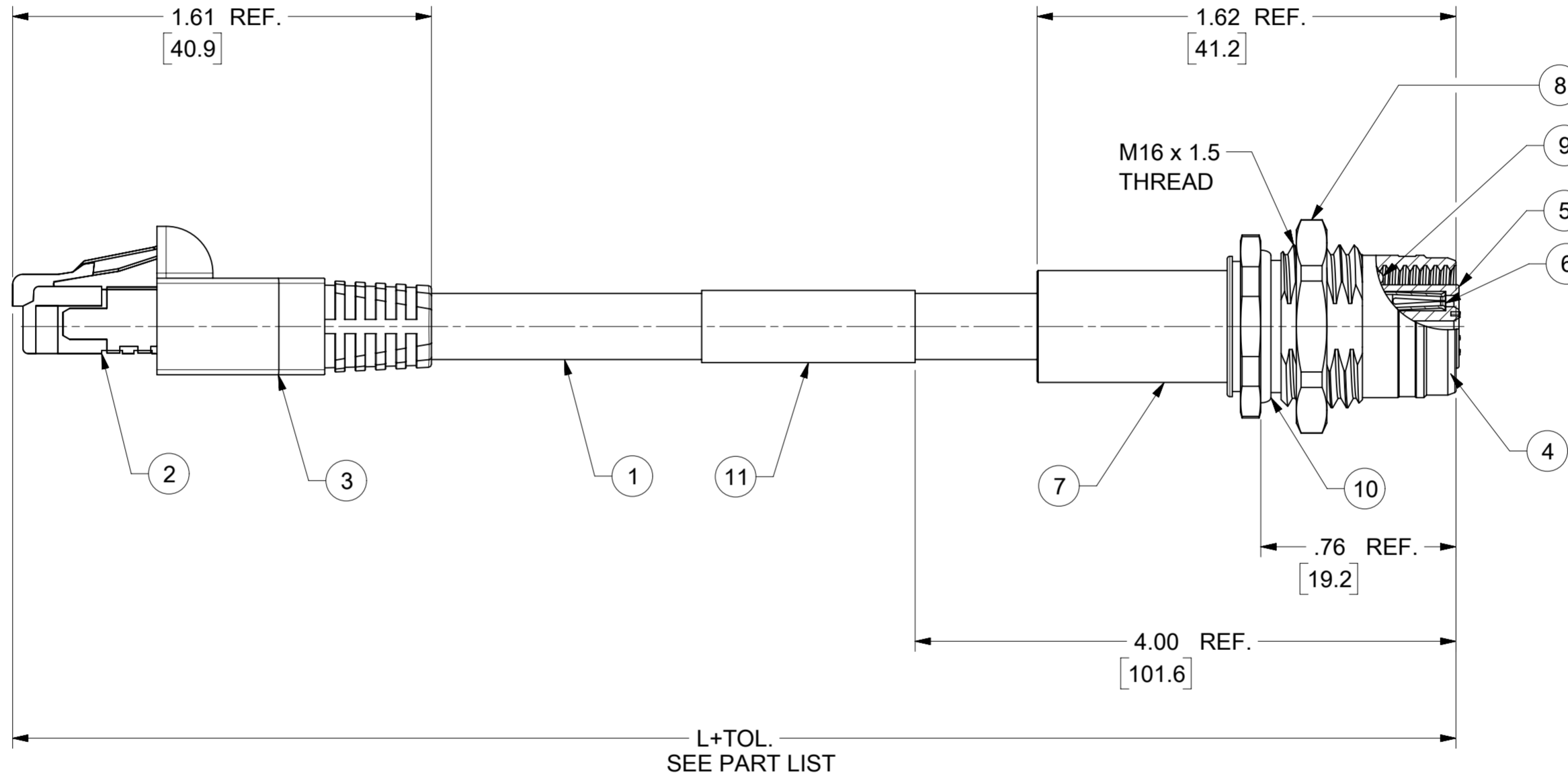
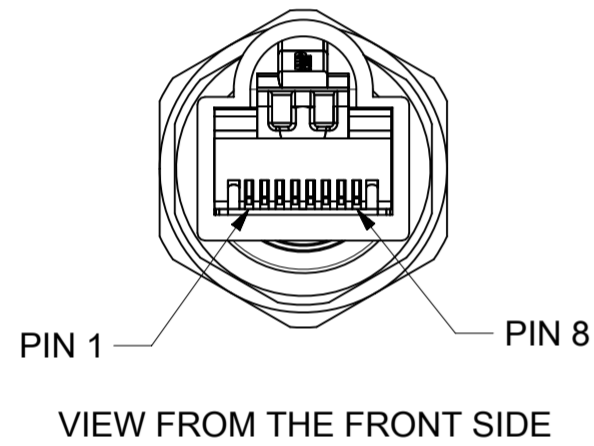
PANEL CUTOUT



WIRING DIAGRAM



SCALE 1:1



PART LIST

MOLEX PN	ENGINEERING No.	L+TOL.
1300545003	ERWPAU7003M010	3' 3" +2.19in-0 (1M +55.6mm-0)
1201090003	ERWPAU7003M020	6' 7" +3.50in-0 (2M +88.9mm-0)
1300540001	ERWPAU7003M002	7.9" +.75in-0 (0.2M +19mm-0)
1201090008	ERWPAU7003M030	9' 10" +3.50in-0 (3M +88.9mm-0)
1300545001	ERWPAU7003M005	1' 7.7" +1.75in-0 (0.5M +44.5mm-0)

BOM

ITEM	QTY.	DESCRIPTION	MATERIAL	FINISH/COLOR
1	-	CABLE 24AWG	PVC	TEAL
2	1	RJ45-PLUG	-	-
3	1	RJ PVC SLEEVE	PVC	BLACK
4	1	M12 FEMALE REC. SHELL	BRASS	Ni-PLATED
5	1	M12 4P FEMALE INSERT	TPU	BLACK
6	4	FEMALE CONTACT	Cu ALLOY	GOLD OVER NICKEL
7	1	CABLE SLEEVE	BRASS	Ni-PLATED
8	1	M16 COUPLING NUT	BRASS	Ni-PLATED
9	1	GASKET	FPM	RED
10	1	O-RING	NBR	BLACK
11	1	LABEL	VINYL	YELLOW

FUNCTIONAL SYMBOLS	THIS DRAWING CONTAINS INFORMATION THAT IS PROPRIETARY TO MOLEX ELECTRONIC TECHNOLOGIES, LLC AND SHOULD NOT BE USED WITHOUT WRITTEN PERMISSION	CURRENT REV DESC: AS PER THE PCN-514377 REPLACED THE RJ45 BOOT FROM P/N 1302328002 TO P/N 1301980188 IN ASSEMBLY AND UPDATED THE DRAWING. ALSO ADDED NEW P/N'S		
	DIMENSION UNITS: INCH/MM	SCALE: 2:1		
DIVISIONAL SYMBOLS	GENERAL TOLERANCES (UNLESS SPECIFIED)	EC NO: 769239		
	4 PLACES ±	MM	INCH	
DIVISIONAL SYMBOLS	3 PLACES ±	DRWN: AKABADI 2023/11/13		
	2 PLACES ±	CHK'D: RSILLER 2023/11/17		
	1 PLACE ± 0.3	APPR: RSILLER 2023/11/17		
	0 PLACES ±	INITIAL REVISION:		
ANGULAR TOL ± 2.0°	DRWN: RSTONE 2013/03/12		DOCUMENT NUMBER: SD-120109-013	
DRAFT WHERE APPLICABLE MUST REMAIN WITHIN DIMENSIONS	THIRD ANGLE PROJECTION	DRAWING: A2-SIZE	SERIES: 120109	DOC TYPE: PSD
		MATERIAL NUMBER: SEE PART LIST	CUSTOMER: GENERAL MARKET	DOC PART: 001
				REVISION: C
				SHEET NUMBER: 1 OF 1