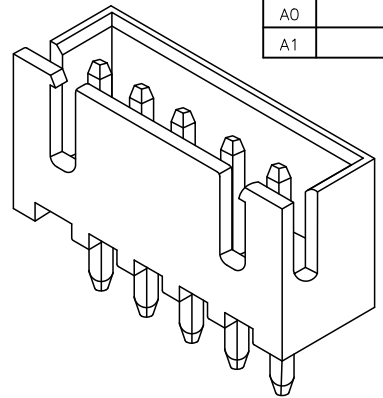
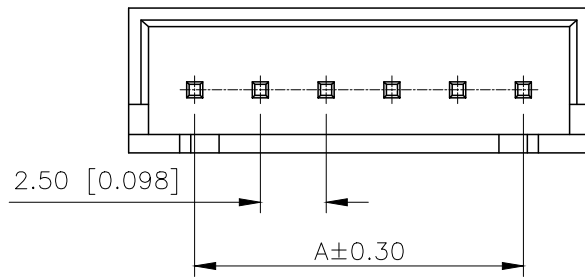


REVISIONS					
REV.	ECN NO.	LOCATION	DESCRIPTION	DATE	DESIGN
A0	N/A		INITIAL RELEASE	/	/
A1	/		图框升级整理图面	2024.08.08	阿树

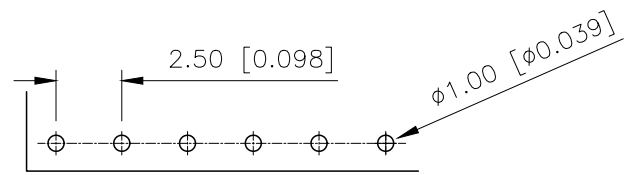
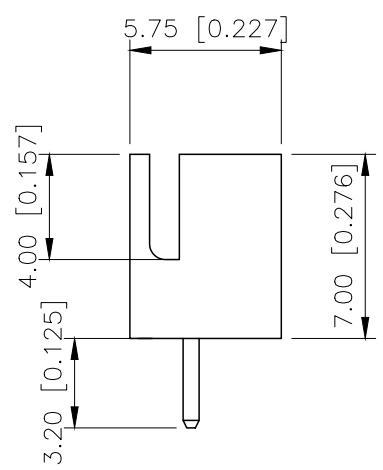
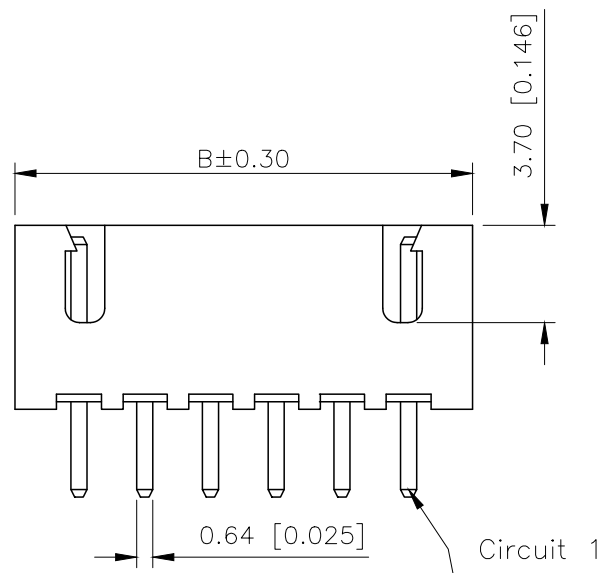


- SPECIFICATIONS
- Voltage rating:250V AC/DC
 - Current rating:3A AC/DC
 - Withstanding Voltage:1000V AC/minute
 - Temperature range:-45°C+125°C
 - Insulation resistance:≥1000MΩ
 - Contact resistance:≤10mΩ
 - After environmental testing:≤20mΩ

PART NO.:

X8821 W V-XX-XX SN
 ① ② ③ ④ ⑤ ⑥

- ①Series No
- ②Category:W-Wafer
- ③Welding Board Angle:V-Stright 180°
- ④Row No-Pin No: XX-02P~20P
- ⑤Material:NO-PA66 94V-0;
46-PA46 94V-0
- ⑥Planting Category:SN-Bright Tin Plating



Recommand PCB Layout

Poles	Dimensions(mm)		Poles	Dimensions(mm)	
	A	B		A	B
02	2.50	7.50	12	27.50	32.50
03	5.00	10.00	13	30.00	35.00
04	7.50	12.50	14	32.50	37.50
05	10.00	15.00	15	35.00	40.00
06	12.50	17.50	16	37.50	42.50
07	15.00	20.00	17	40.00	45.00
08	17.50	22.50	18	42.50	47.50
09	20.00	25.00	19	45.00	50.00
10	22.50	27.50	20	47.50	52.50
11	25.00	30.00			

X8821WV-XX-46SN	PA46 UL 94V-0	Brass	Tin-Plated	X8821H
X8821WV-XX-46SN				
PART NO	Material	Material(pin)	Finish(pin)	Suitable XKB Terminal

AuGLAR	±5°
X.	±0.40
X.x	±0.30
X.xx	±0.20
X.xxx	±0.15
UNSPECIFIED TOLERAUCES	



DESIGN	阿树	VIEW:		MODEL TYPE:	2.50 mm Crimp Style Connectors
CHECKED	/	UNIT:	mm/in	PART NO.:	X8821WV-XX-XXSN
APPROVED	/	SIZE:	A4	DWG NO.:	/