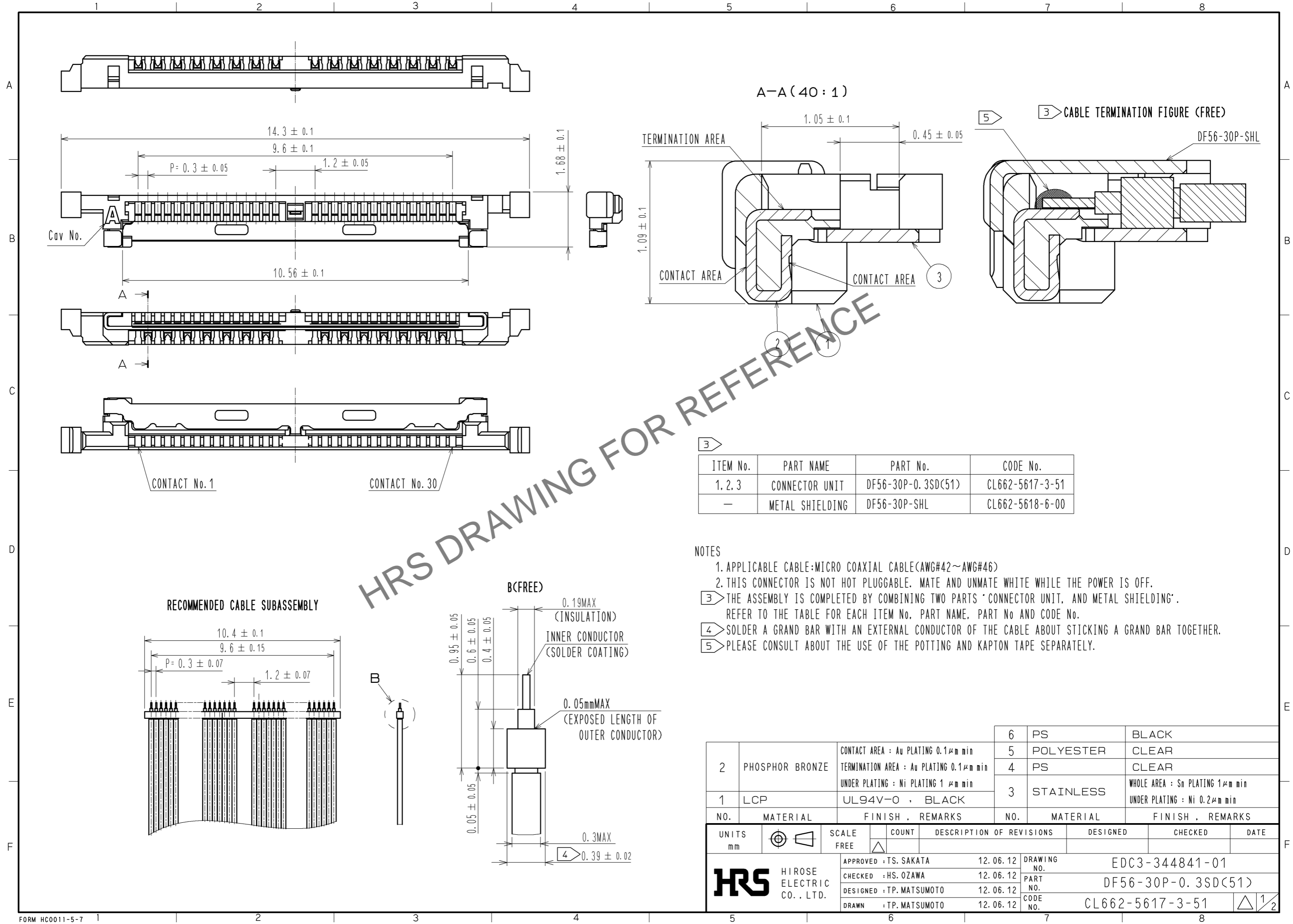


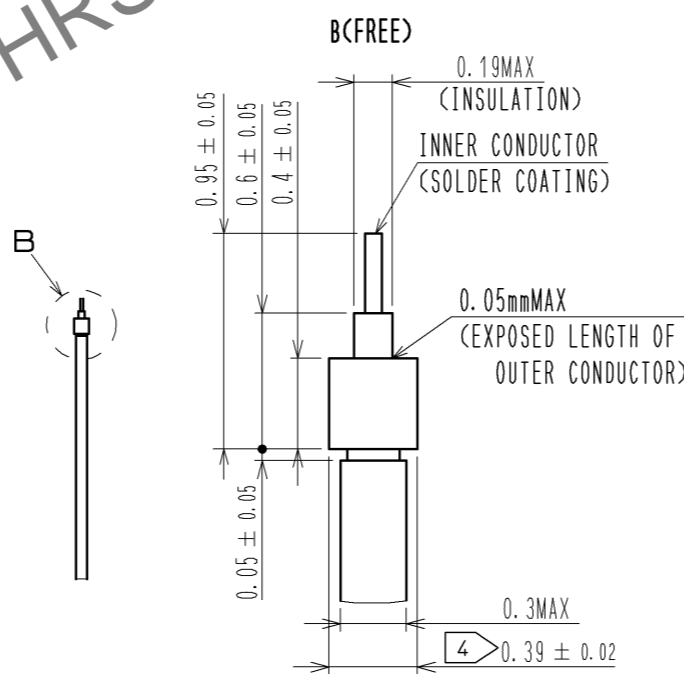
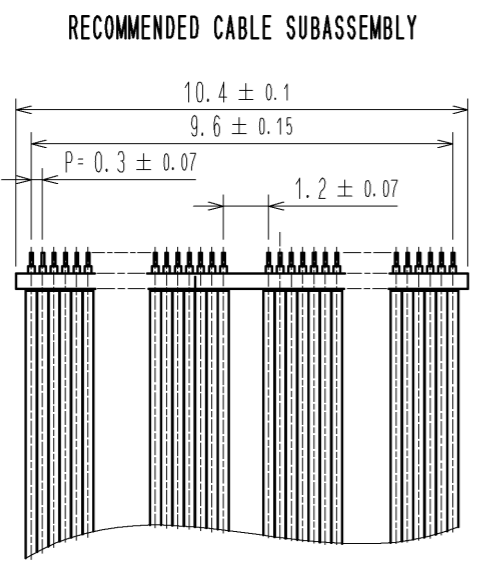
Jun.1.2024 Copyright 2024 HIROSE ELECTRIC CO., LTD. All Rights Reserved.
In case of consideration for using Automotive equipment / device which demand high reliability, kindly contact our sales window correspondents.



HRS DRAWING FOR REFERENCE

ITEM No.	PART NAME	PART No.	CODE No.
1, 2, 3	CONNECTOR UNIT	DF56-30P-0.3SD(51)	CL662-5617-3-51
-	METAL SHIELDING	DF56-30P-SHL	CL662-5618-6-00

- NOTES
1. APPLICABLE CABLE: MICRO COAXIAL CABLE(AWG#42~AWG#46)
 2. THIS CONNECTOR IS NOT HOT PLUGGABLE. MATE AND UNMATE WHITE WHILE THE POWER IS OFF.
 3. THE ASSEMBLY IS COMPLETED BY COMBINING TWO PARTS 'CONNECTOR UNIT, AND METAL SHIELDING'. REFER TO THE TABLE FOR EACH ITEM No., PART NAME, PART No AND CODE No.
 4. SOLDER A GRAND BAR WITH AN EXTERNAL CONDUCTOR OF THE CABLE ABOUT STICKING A GRAND BAR TOGETHER.
 5. PLEASE CONSULT ABOUT THE USE OF THE POTTING AND KAPTON TAPE SEPARATELY.



NO.	MATERIAL	FINISH	REMARKS	NO.	MATERIAL	FINISH	REMARKS
2	PHOSPHOR BRONZE	CONTACT AREA : Au PLATING 0.1 μm min TERMINATION AREA : Au PLATING 0.1 μm min UNDER PLATING : Ni PLATING 1 μm min		6	PS	BLACK	
1	LCP	UL94V-0, BLACK		5	POLYESTER	CLEAR	
				4	PS	CLEAR	
				3	STAINLESS	WHOLE AREA : Sn PLATING 1 μm min UNDER PLATING : Ni 0.2 μm min	

UNITS	SCALE	COUNT	DESCRIPTION OF REVISIONS	DESIGNED	CHECKED	DATE
mm	FREE	△				
APPROVED : TS. SAKATA			12.06.12	DRAWING NO. EDC3-344841-01		
CHECKED : HS. OZAWA			12.06.12	PART NO. DF56-30P-0.3SD(51)		
DESIGNED : TP. MATSUMOTO			12.06.12	CODE NO. CL662-5617-3-51		
DRAWN : TP. MATSUMOTO			12.06.12	△ 1/2		

Jun.1.2024 Copyright 2024 HIROSE ELECTRIC CO., LTD. All Rights Reserved.
 In case of consideration for using Automotive equipment / device which demand high reliability, kindly contact our sales window correspondents.

