

1-1969541-4 ✓ ACTIVE

Economy Power 2.5

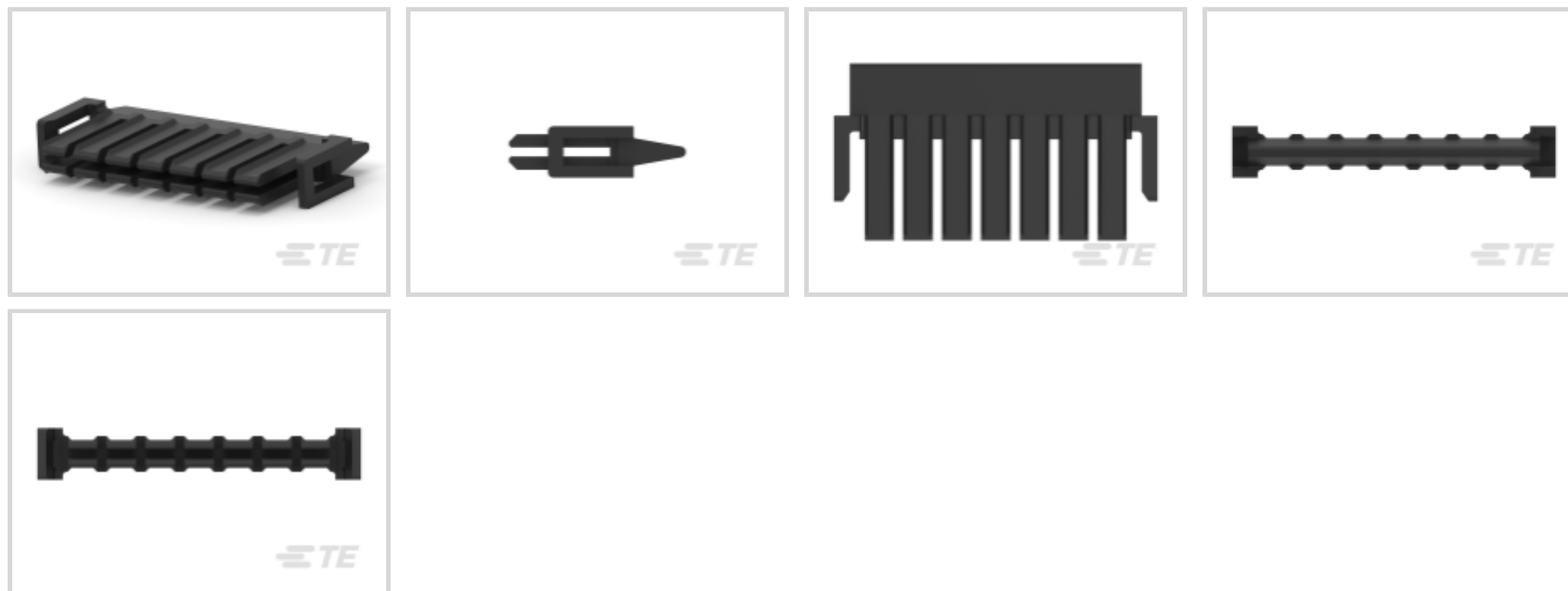
TE Internal #: 1-1969541-4

TPA (Terminal Position Assurance), Black, 14 Position, Economy Power 2.5

[View on TE.com >](#)



Connectors > Connector Accessories > Connector Hardware



Hardware Accessory Function: **Position Assurance**

Connector Hardware Accessory Type: **TPA (Terminal Position Assurance)**

Primary Product Color: **Black**

Number of Positions: **14**

Operating Temperature (Max): **105 °C [221 °F]**

Features

Product Type Features

Hardware Accessory Function	Position Assurance
Connector Hardware Accessory Type	TPA (Terminal Position Assurance)

Configuration Features

Number of Rows	2
Number of Positions	14

Body Features

Primary Product Color	Black
-----------------------	-------

Housing Features

Centerline (Pitch)	2.5 mm [.098 in]
--------------------	------------------

Dimensions

Product Height	11.35 mm [.45 in]
----------------	-------------------

Usage Conditions

Operating Temperature (Max)	105 °C [221 °F]
Operating Temperature Range	-55 – 105 °C [-67 – 221 °F]



Industry Standards

Glow Wire Rating	Standard Part - Not Glow Wire
------------------	-------------------------------

Packaging Features

Packaging Quantity	7000
Packaging Method	Bag

Product Compliance

[For compliance documentation, visit the product page on TE.com>](#)

EU RoHS Directive 2011/65/EU	Compliant
EU ELV Directive 2000/53/EC	Compliant
China RoHS 2 Directive MIIT Order No 32, 2016	No Restricted Materials Above Threshold
EU REACH Regulation (EC) No. 1907/2006	Current ECHA Candidate List: JUNE 2024 (241) Candidate List Declared Against: JUNE 2024 (241) Does not contain REACH SVHC
Halogen Content	Low Halogen - Br, Cl, F, I < 900 ppm per homogenous material. Also BFR/CFR/PVC Free
Solder Process Capability	Not applicable for solder process capability

Product Compliance Disclaimer

This information is provided based on reasonable inquiry of our suppliers and represents our current actual knowledge based on the information they provided. This information is subject to change. The part numbers that TE has identified as EU RoHS compliant have a maximum concentration of 0.1% by weight in homogenous materials for lead, hexavalent chromium, mercury, PBB, PBDE, DBP, BBP, DEHP, DIBP, and 0.01% for cadmium, or qualify for an exemption to these limits as defined in the Annexes of Directive 2011/65/EU (RoHS2). Finished electrical and electronic equipment products will be CE marked as required by Directive 2011/65/EU. Components may not be CE marked. Additionally, the part numbers that TE has identified as EU ELV compliant have a maximum concentration of 0.1% by weight in homogenous materials for lead, hexavalent chromium, and mercury, and 0.01% for cadmium, or qualify for an exemption to these limits as defined in the Annexes of Directive 2000/53/EC (ELV). Regarding the REACH Regulation, the information TE provides on SVHC in articles for this part number is based on the latest European Chemicals Agency (ECHA) 'Guidance on requirements for substances in articles' posted at this URL: <https://echa.europa.eu/guidance-documents/guidance-on-reach>

Compatible Parts

 <p>TE Part # 1-1744418-4 14 POS EP 2.5 HDR, GLOW WIRE</p>	 <p>TE Part # 1-1969442-4 EP 2.5 TPA Housing, 14 Pos</p>	 <p>TE Part # 4-1969541-0 RETAINER, TPA, DUAL ROW, EP2.5</p>	 <p>TE Part # 1-2323743-4 HOUSING, PLUG, GWT, 14P, DUAL ROW, EP2.5</p>
 <p>TE Part # 2-1969541-0 RETAINER, TPA, DUAL ROW, EP2.5</p>	 <p>TE Part # 3-1969541-0 RETAINER, TPA, DUAL ROW, EP2.5</p>	 <p>TE Part # 1969541-8 RETAINER, TPA, DUAL ROW, EP2.5</p>	 <p>TE Part # 1-1969730-4 EP2.5 SHROUDED HDR ASSY 14P VERTICAL</p>
 <p>TE Part # 1-1969541-0 RETAINER, TPA, DUAL ROW, EP2.5</p>	 <p>TE Part # 2-1969541-4 RETAINER, TPA, DUAL ROW, EP2.5</p>	 <p>TE Part # 1-1969541-2 RETAINER, TPA, DUAL ROW, EP2.5</p>	 <p>TE Part # 1-1744417-4 14 POS EP 2.5 HSG, GLOW WIRE</p>
 <p>TE Part # 1-1744426-4 Header Housing Assy, EP 2.5 RA, 14 Pos.</p>	 <p>TE Part # 1-1969541-8 RETAINER, TPA, DUAL ROW, EP2.5</p>	 <p>TE Part # 1-1969588-4 HSG, REC, FREE-HANGING, SINGLE ROW, EP2.5</p>	 <p>TE Part # 2-1969541-8 RETAINER, TPA, DUAL ROW, EP2.5</p>
 <p>TE Part # 1-1744439-4 EP2.5 Shrd HDR ASSY 14P VERT, GW</p>	 <p>TE Part # 1-1744446-4 Hdr Assy, EP 2.5 RA, 14 Pos., GW</p>	 <p>TE Part # 1-1969541-6 RETAINER, TPA, DUAL ROW, EP2.5</p>	 <p>TE Part # 1-1969589-4 HSG, REC, FREE-HANG, GWT, SINGLE ROW, EP2.5</p>

Also in the Series | **Economy Power 2.5**



Connector Contacts(6)



Connector Hardware(49)



PCB Headers & Receptacles(494)



Rectangular Power Connectors(43)

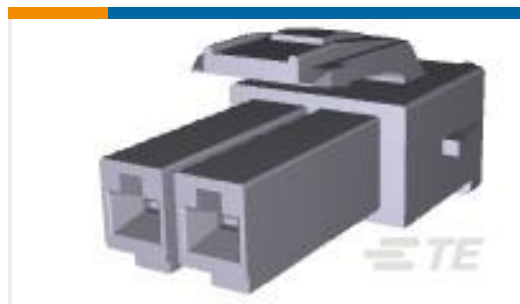


Wire-to-Board Connector Assemblies & Housings(305)

Customers Also Bought



TE Part #179467-1
AMP POWER DBL LOCK CAP HSG 8P



TE Part #177898-2
POWER DBL LOCK PLUG 2P RED



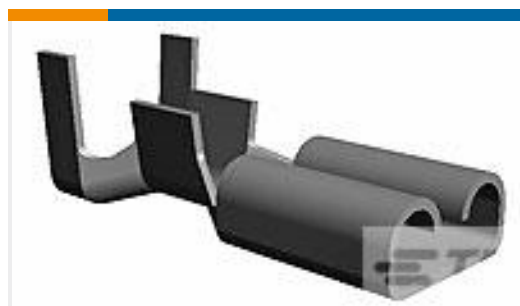
TE Part #917692-1
2.5 SIGNAL D/LOCK PLUG HSG 8P



TE Part #177919-1
POWER DBL LOCK PLATE 3P



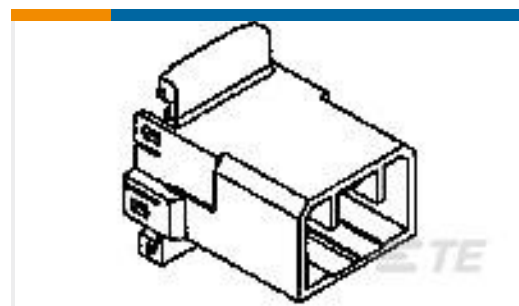
TE Part #1747995-2
GHC EYELET 6.2 3POS PLUG HOUSING RED



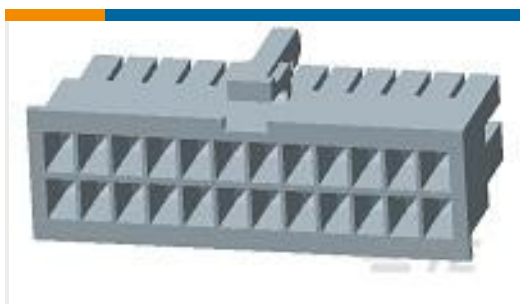
TE Part #61758-2
187 FASTON REC 20-16 AWG TPBR



TE Part #1969443-5
EP 2.5 TPA Retainer, 5 Pos



TE Part #174934-1
070 MLC W-W CAP HSG 14P



TE Part #1969614-2
2P RCPT VAL-U-LOK V0



TE Part #1-178708-1
187 SLEEV PL EX FLAG NAT

Documents



Product Drawings

[RETAINER, TPA, DUAL ROW, EP2.5](#)

English

CAD Files

[3D PDF](#)

3D

Customer View Model

[ENG_CVM_CVM_1-1969541-4_A.2d_dxf.zip](#)

English

Customer View Model

[ENG_CVM_CVM_1-1969541-4_A.3d_igs.zip](#)

English

Customer View Model

[ENG_CVM_CVM_1-1969541-4_A.3d_stp.zip](#)

English

By downloading the CAD file I accept and agree to the [Terms and Conditions](#) of use.

Datasheets & Catalog Pages

[7-1773461-6_EP2.5_Connector_Series](#)

English

Product Specifications

[Application Specification](#)

English

Instruction Sheets

[Instruction Sheet \(U.S.\)](#)

English