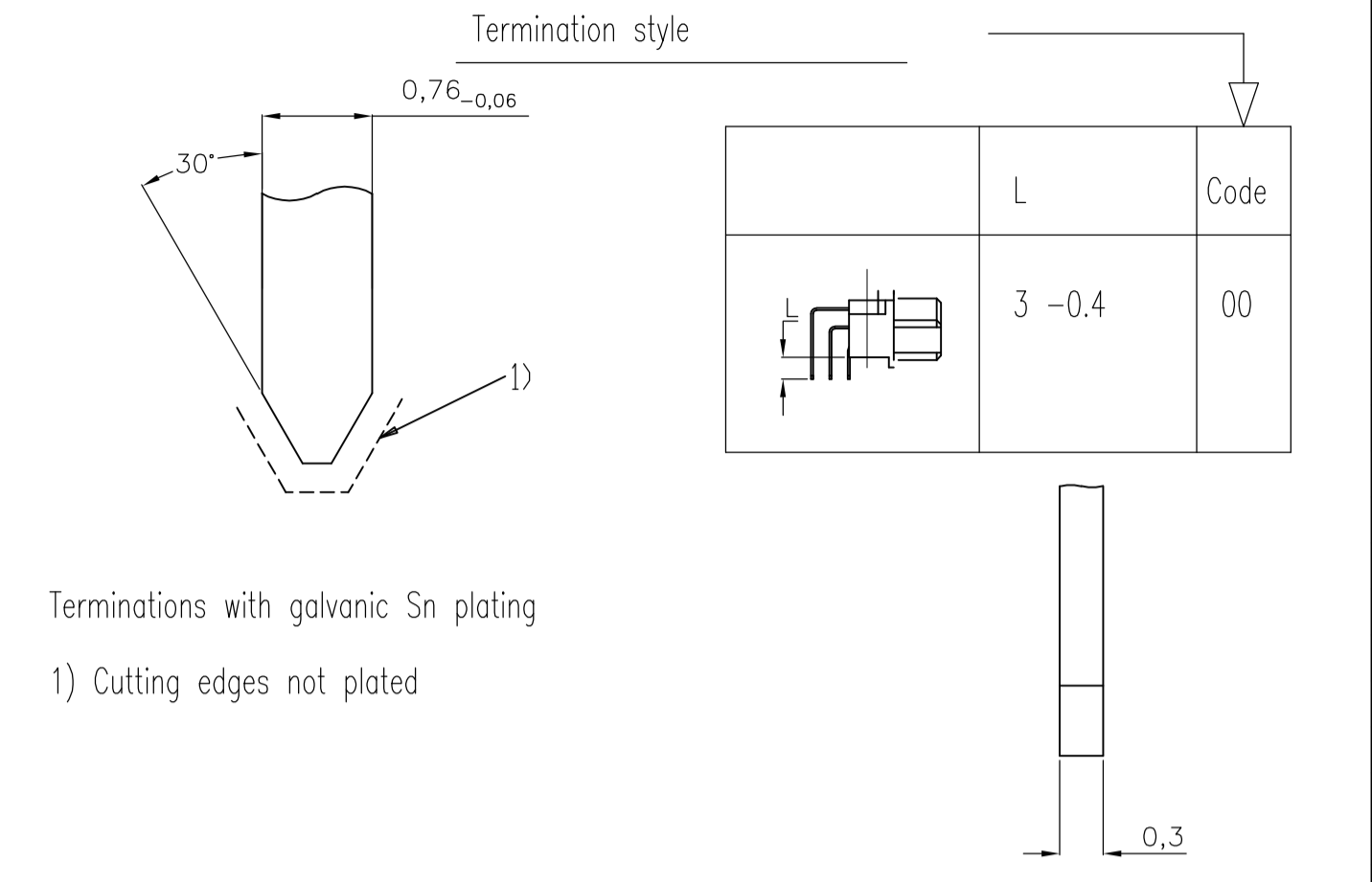
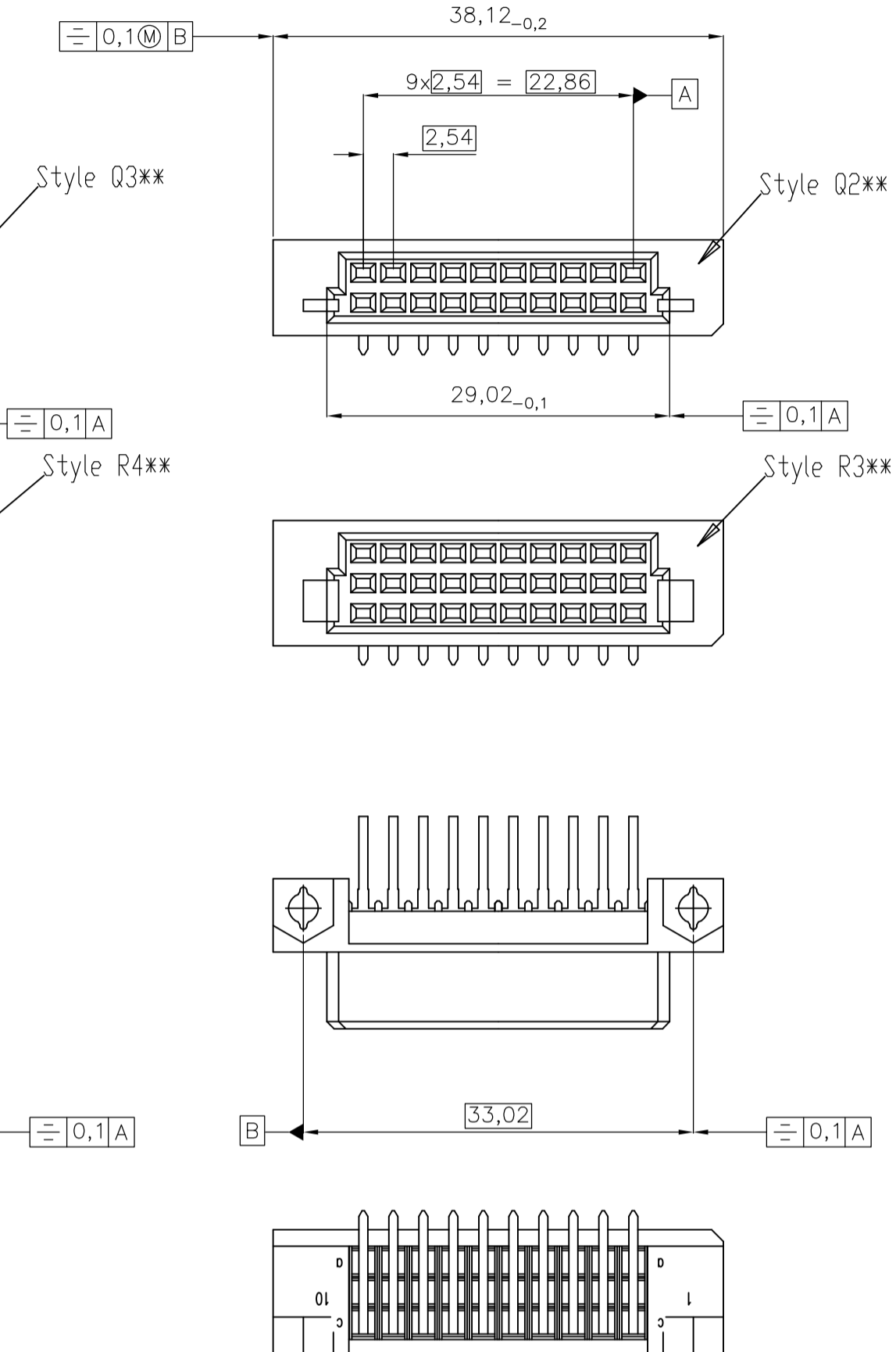
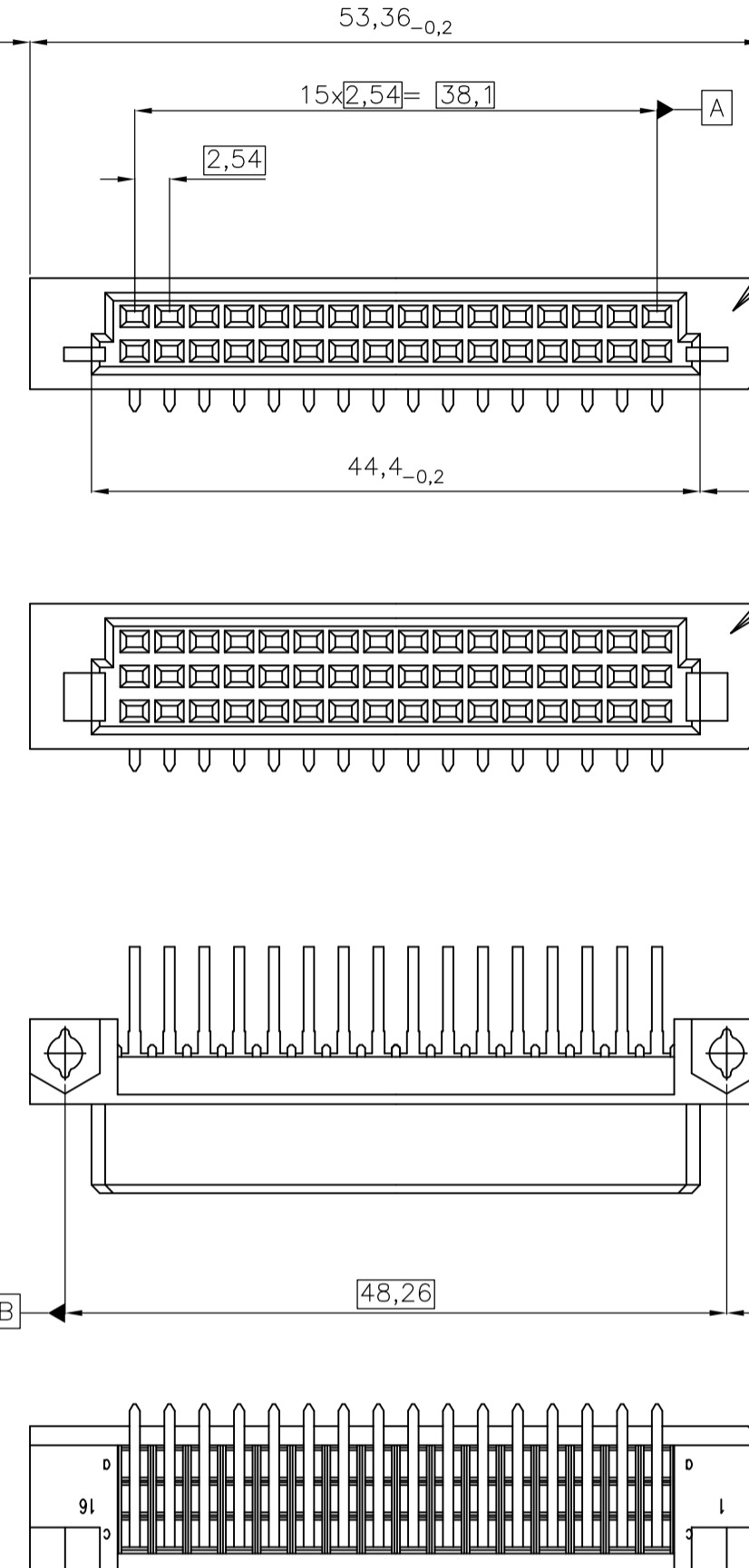
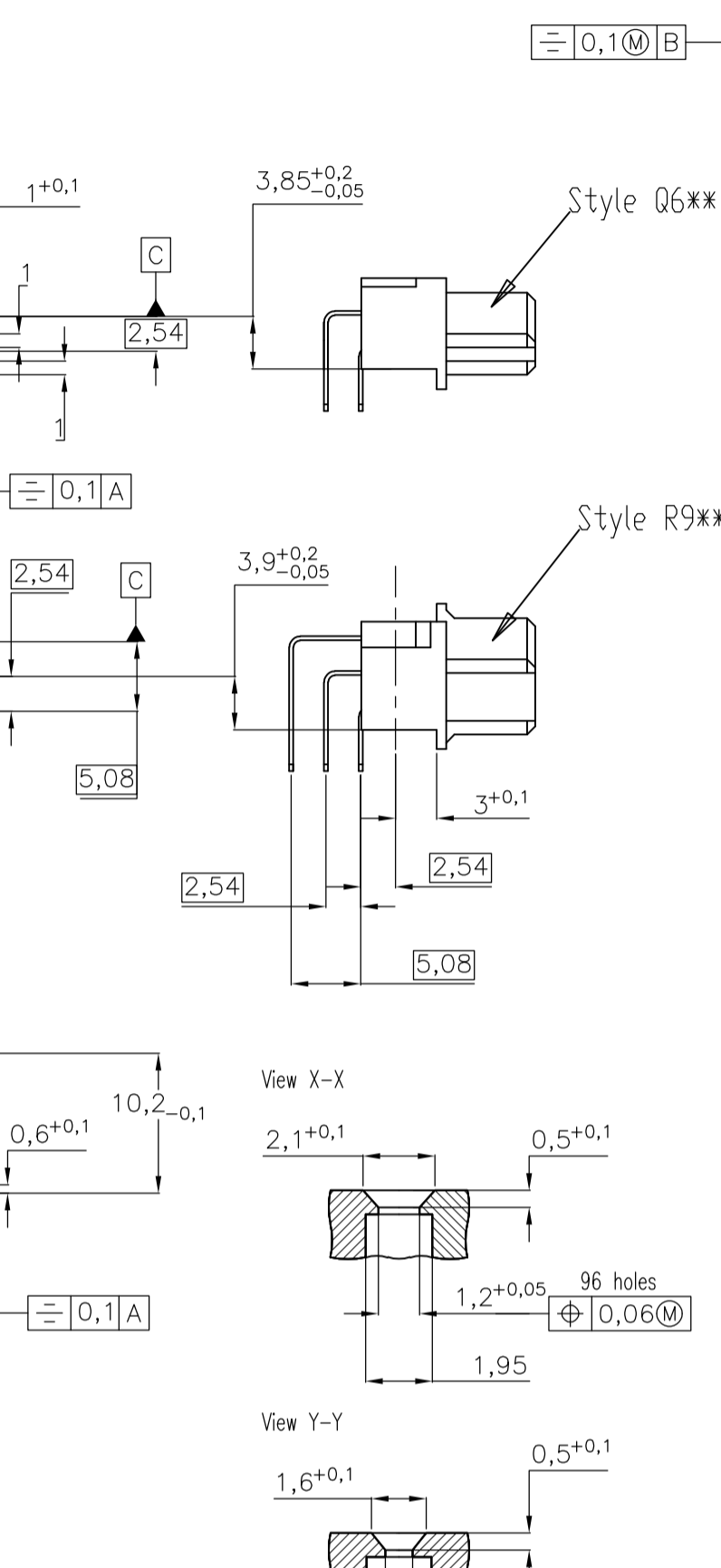
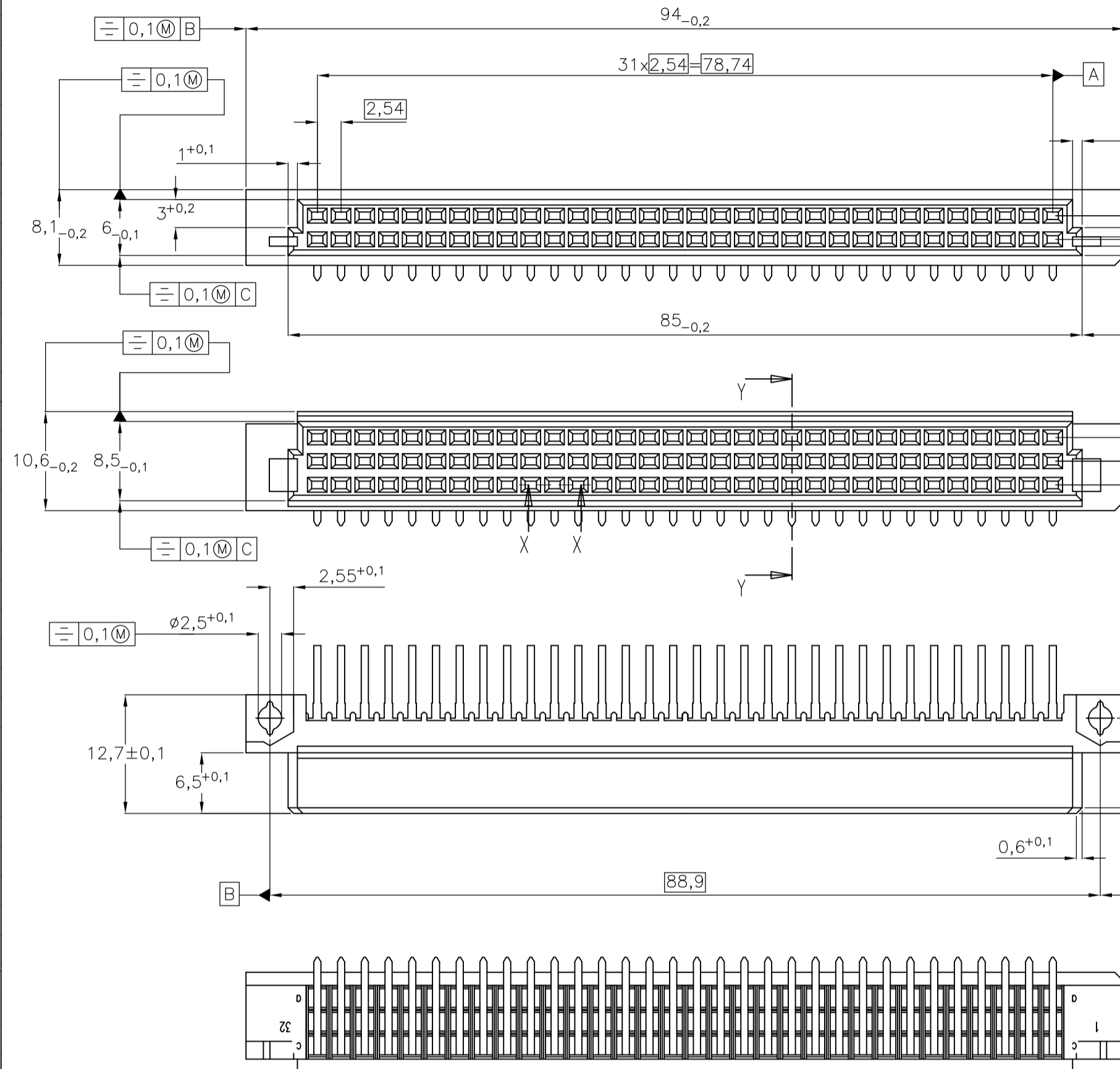
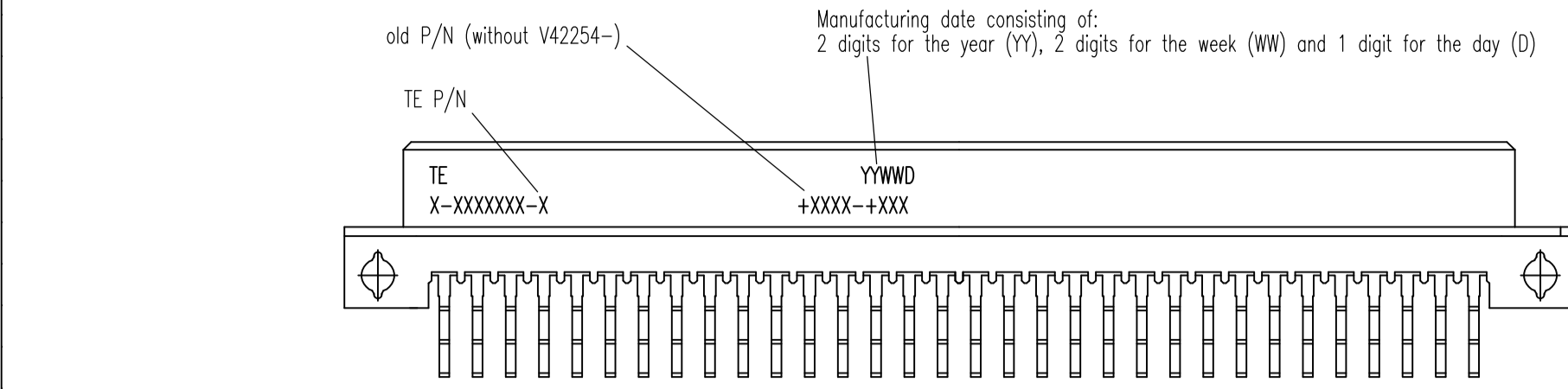


REV	DATE	DESCRIPTION	BY	CHK	APPV
B5	08-09-09	ECR-09-007144	AE	GM	MKO
B6	03JUN10	ECR-10-003044	RK	MKO	
B7	11SEP11	ECR-10-004503	RK	MKO	



Terminations with galvanic Sn plating
1) Cutting edges not plated

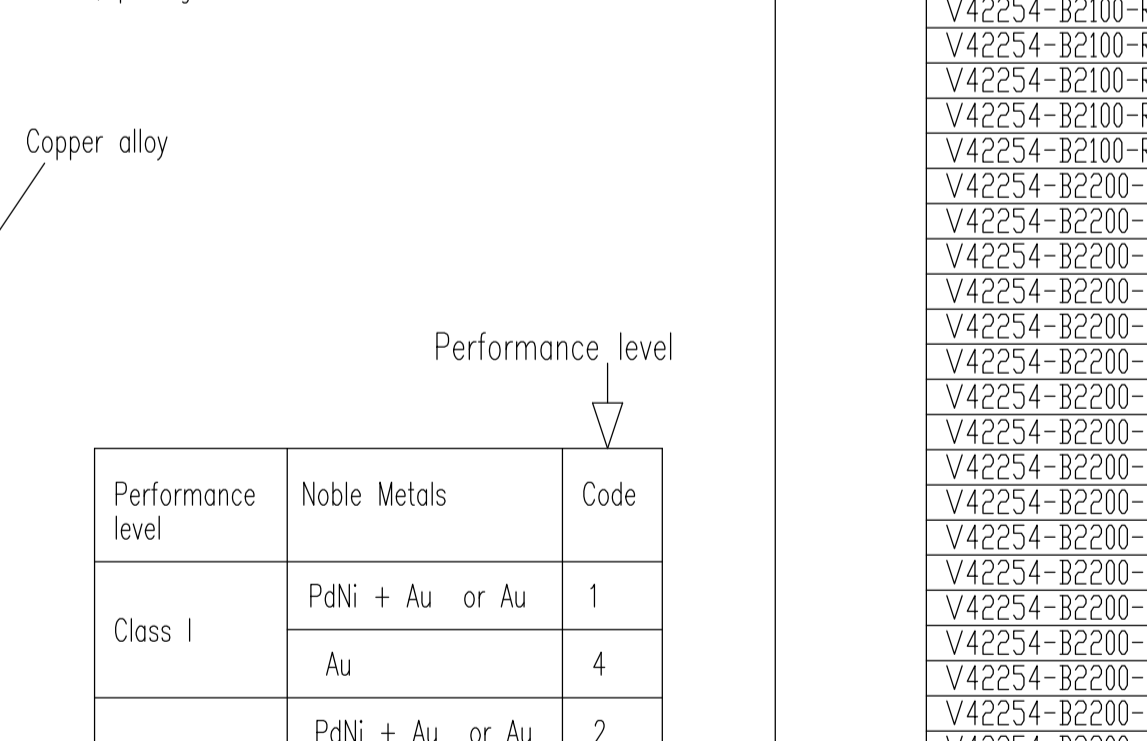
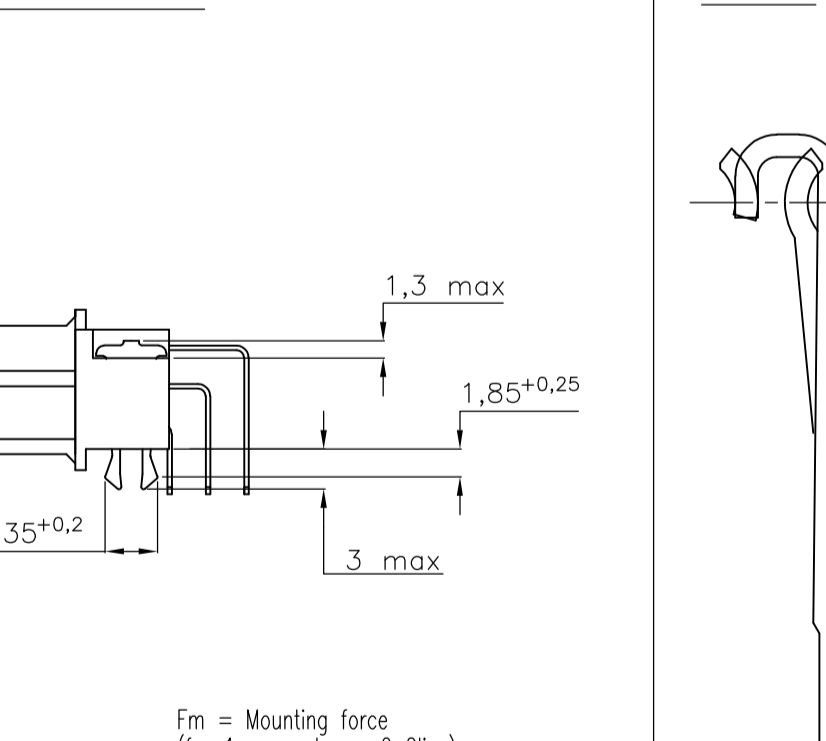
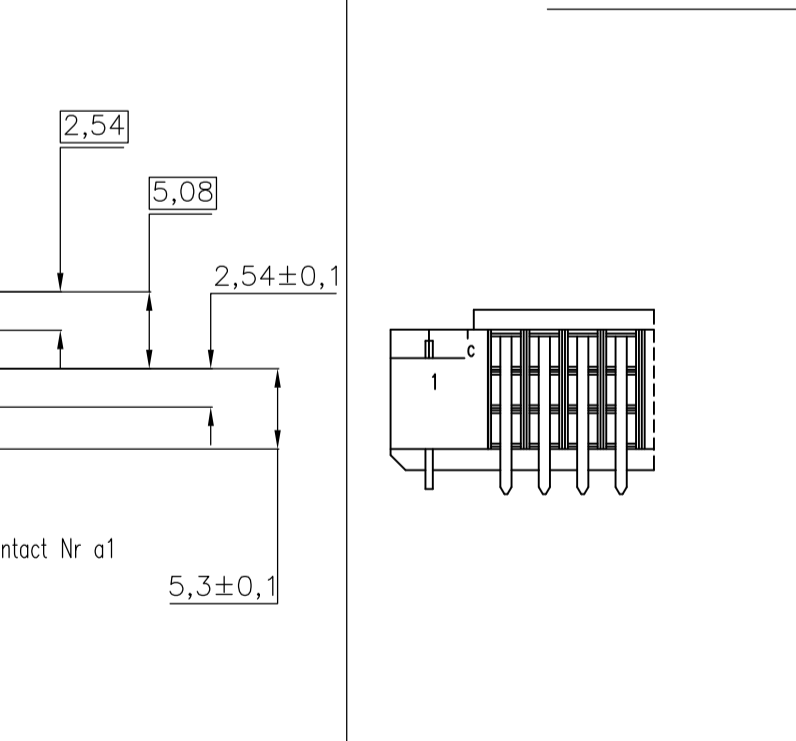
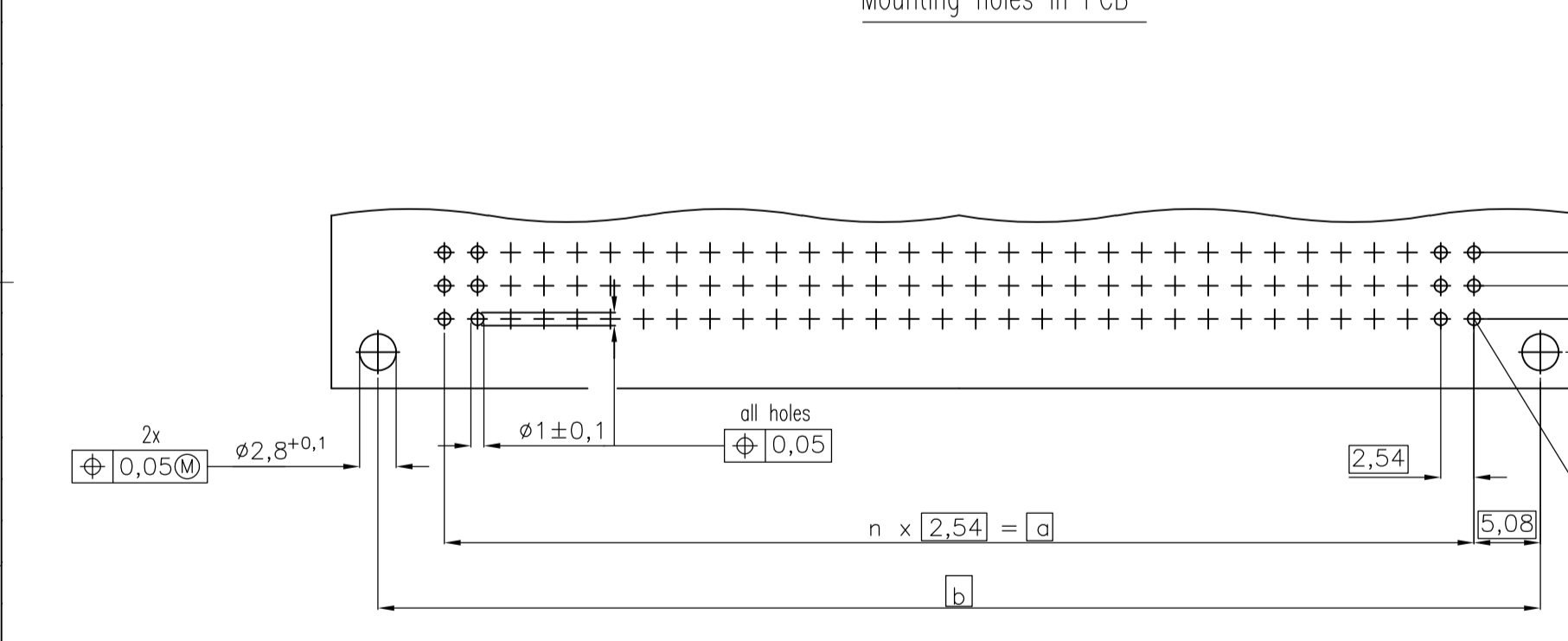
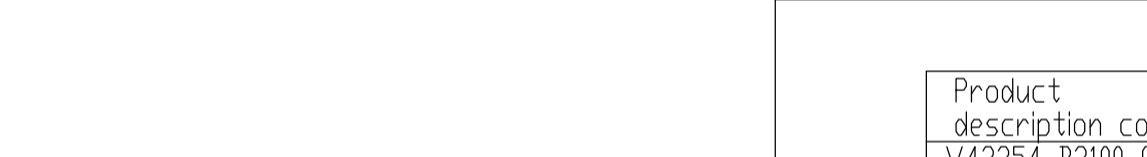
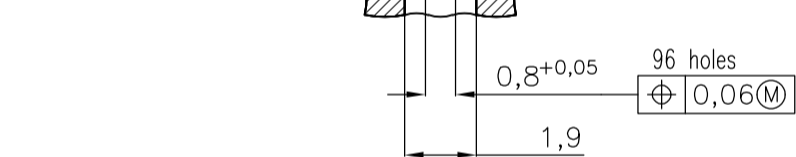
B : Standard versions
F : Versions with flux-tight coating

Code for performance level
Code for termination style

Partnumbers
Style, no of contacts and contact assignment

4) According to BT 222 level 1.
3) Connector with flux tight coating.
2) Connector with positioning part on solder posts.
1) No company name marked on the connector.

Active part numbers. Contact TE for other configuration availability



Type	n	a	b
Q R	31	78.74	88.9
Q/2 R/2	15	38.10	48.26
Q/3 R/3	9	22.86	33.02

Mounted in PC-boards of 1.5 to 1.8 mm
Fm <= 60 N
Fr >= 20 N
Fr >= 200 N, wenn soldered-in

Fr = Mounting force (for 1 connector = 2 Clips)

Fr = Retention force (for 1 connector = 2 Clips)

Mounted in PC-boards over 1.8 mm
Fm <= 60 N
Fr >= 16 N

Performance level

Performance level	Noble Metals	Code
Class I	PdNi + Au or Au	1
	Au	4
	PdNi + Au or Au	2
Class II	Au	5
	PdNi + Au or Au	3
Class III	PdNi + Au or Au	3

Nickel underlayer :
Protection film : HF-grease

Contact : dimensions, plating and material

Copper alloy

Housing material:
PBTP 30% glassfilled (UL94-0)
pebble grey mat (RAL 7032)

Product description code	TE PN	Style & Nr. of Pos	Loaded rows	Perf. level	Board Locks
V42254-B2100-Q210	0-1393656-1	Q20	every row , every pitch	1	Y
V42254-B2100-Q320	0-1393656-2	Q32	every row , every pitch	1	N
V42254-B2100-R300	0-1393656-3	R30	every row , every pitch	1	N
V42254-B2100-R303	0-1393656-4	R30	row a+c , every pitch	1	N
V42254-B2100-R480	0-1393656-5	R48	every row , every pitch	1	N
V42254-B2100-R913	0-1393656-6	R96	row a+c , every pitch	1	Y
V42254-B2100-R960	0-1393656-7	R96	every row , every pitch	1	N
V42254-B2100-R960H	0-1393656-8	R96	every row , every pitch	1	N
V42254-B2100-R961	0-1393656-9	R96	row a , every pitch	1	N
V42254-B2100-R963	1-1393656-1	R96	row a+c , every pitch	1	N
V42254-B2100-R968	1-1393656-2	R96	row a+c , every even pitch	1	N
V42254-B2200-Q200	1-1393656-4	Q20	every row , every pitch	2	N
V42254-B2200-Q310	1-1393656-5	Q32	every row , every pitch	2	Y
V42254-B2200-Q320	1-1393656-6	Q32	every row , every pitch	2	N
V42254-B2200-Q610	1-1393656-7	Q64	every row , every pitch	2	Y
V42254-B2200-Q640	1-1393656-8	Q64	every row , every pitch	2	N
V42254-B2200-R300	1-1393656-9	R30	every row , every pitch	2	N
V42254-B2200-R300N	2-1393656-0	R30	every row , every pitch	2	N
V42254-B2200-R303	2-1393656-1	R30	row a+c , every pitch	2	N
V42254-B2200-R310	2-1393656-2	R30	every row , every pitch	2	Y
V42254-B2200-R313	2-1393656-4	R30	row a+c , every pitch	2	Y
V42254-B2200-R410	2-1393656-5	R48	every row , every pitch	2	Y
V42254-B2200-R413	2-1393656-6	R48	row a+c , every pitch	2	Y
V42254-B2200-R480	2-1393656-7	R48	every row , every pitch	2	N
V42254-B2200-R483	2-1393656-8	R48	row a+c , every pitch	2	N
V42254-B2200-R910	2-1393656-9	R96	every row , every pitch	2	Y
V42254-B2200-R913P	3-1393656-0	R96	row a+c , every pitch	2	Y
V42254-B2200-R913P	3-1393656-1	R96	row a+c , every pitch	2	Y
V42254-B2200-R918	3-1393656-3	R96	row a+c , every even pitch	2	Y
V42254-B2200-R960	3-1393656-4	R96	every row , every pitch	2	N
V42254-B2200-R960N	3-1393656-5	R96	every row , every pitch	2	N
V42254-B2200-R963	3-1393656-6	R96	row a+c , every pitch	2	N
V42254-B2200-R963P	3-1393656-7	R96	row a+c , every pitch	2	N
V42254-B2200-R965	3-1393656-8	R96	every row , every even pitch	2	N
V42254-B2200-R968	3-1393656-9	R96	row a+c , every even pitch	2	N
V42254-B2200-R968P	4-1393656-0	R96	row a+c , every even pitch	2	N
V42254-F2200-R480	4-1393656-6	R48	every row , every pitch	2	N
V42254-F2200-R960	4-1393656-7	R96	every row , every pitch	2	N

THIS INFORMATION IS CONFIDENTIAL AND PROPRIETARY TO TYCO ELECTRONICS CORPORATION AND ITS WORLDWIDE SUBSIDIARIES AND AFFILIATES. IT MAY NOT BE DISCLOSED TO ANYONE, OTHER THAN TYCO ELECTRONICS CORPORATION, WITHOUT WRITTEN AUTHORIZATION FROM TYCO ELECTRONICS CORPORATION, HARRISBURG, PENNSYLVANIA, USA.

THIS DRAWING IS A CONTROLLED DOCUMENT. DIN 08SEP2009

TE Connectivity

Receptacle Assembly Eurocard Types Q, R and short versions.

APVD CUVELIER 13FEB99 NAME

APPLICATION SPEC

SIZE CASE CODE DRAWING NO. RESTRICTED TO

WEIGHT A1 00779 ©=1393656-1

CUSTOMER DRAWING SCALE NTS SHEET 1 of 1 REV B7