

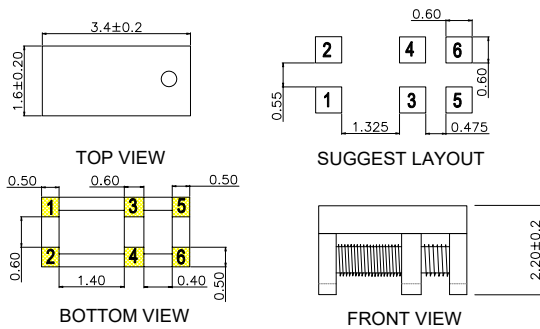


# CHIP LAN FILTER

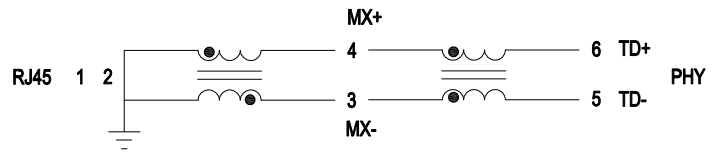
Meets IEEE 802.3 & ANSI X3.263 Standards.  
Designed For 2.5G BASE-T Applications, Surface Mount Type.  
Operating Temperature Range: -40 °C to +85°C.  
RoHS Compliant.

Part Number	Electrical Specifications @25°C								
	Inductance 100KHz 0.1V (uH Min) 1-2to3-4	Capacitance 100K 0.1V (pF Max) 1-2-3 to 4-5-6	DCR (Ω Max)	Insertion Loss (dB Max)	Return Loss (dB Min)	Rated Current mA Max	Rated Volt (Vdc)	Common mode Impedance (ohm ±25%@100M) 3-4 to 6-5	IR M(Ω Min)
CM3216D25-501	55	20	3.0	-2.0	-10	200	50	500	10

## MECHANICAL

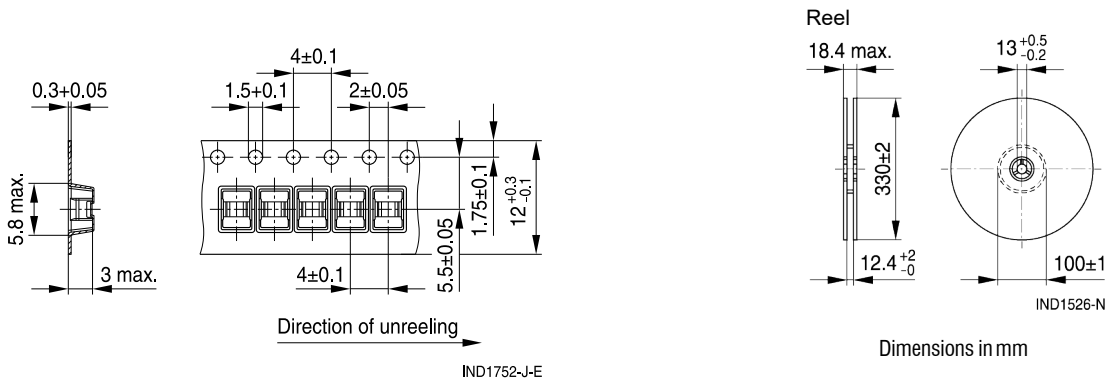


## SCHEMATICS



Unless otherwise specified all tolerances are:±0.25mm

## TAPING AND PACKING



Quantity (pcs):  
2000 PCS PER REEL  
10 REELS PER CARTON  
20000PCS PER CARTON