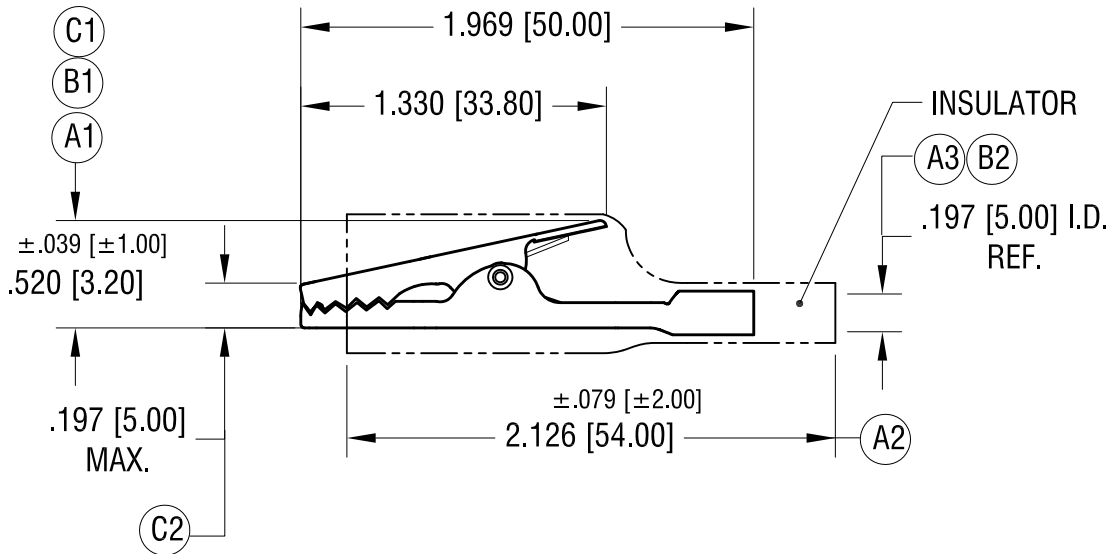
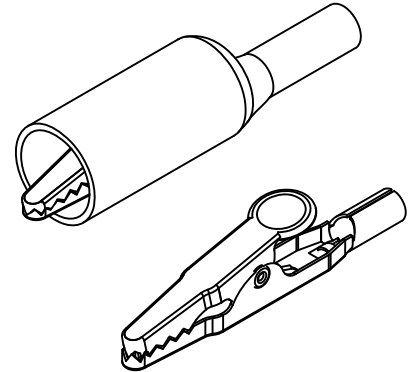
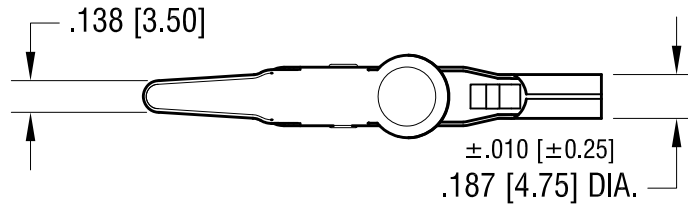


THIS DOCUMENT IS THE PROPERTY OF  
KEYSTONE ELECTRONICS CORP. AND  
SHALL NOT BE REPRODUCED, DISTRIBUTED  
OR USED AS A BASIS FOR MANUFACTURE  
WITHOUT PRIOR WRITTEN PERMISSION  
FROM KEYSTONE ELECTRONICS CORP.

ACTUAL SIZE



PART NO.	COLOR, PVC INSULATOR	(A4)
5044	NO INSULATOR	
5045	RED	
5046	BLACK	

3.17.23	(C1) WAS .433[11.0] (C2) WAS .157 MAX CHANGE AS PER ECN 23-040	C
7.12.22	(B1) WAS .433±.020, (B2) WAS .189±.010 CHANGE AS PER ECN 22-127	B
3.13.15	(A1) WAS .445, (A2) WAS 2.20 (A3) WAS .200, (A4) WAS VINYL CHANGE AS PER ECN 15-029	A
DATE	DESCRIPTION	REV.

<b>KEYSTONE ELECTRONICS CORP.</b>			
www.keyelco.com • NEW HYDE PARK NY 11040 • Tel (516)328-7500			
PART NAME LARGE ALLIGATOR CLIP			
MATERIAL STEEL			
FINISH NICKEL PLATE		DRN BY NT	DATE 10.30.08
		APP'D RH	SCALE 1.2X
TOLERANCES	INCH [MM]	CODE	DWG NO.
DECIMAL	± .020 [± 0.50]	C	5044-5046
ANGULAR	± 1°		
UNLESS OTHERWISE SPECIFIED			