

2.1 Eokit 11 Overview

A | 2_3

2.2 Eokit 11 Sub Rack Configuration

A | 2_5

2.2.1 Width

A | 2_5

2.2.2 Height / Depth

A | 2_6

2.2.3 Handles

A | 2_6

2.2.4 Line Drawing

A | 2_7

2.3 Adaptation Kits

A | 2_8

2.3.1 Adaptation Kit

A | 2_8

2.3.2 Front Sub Division Horizontal IEC for Card Guides

A | 2_9

2.3.3 Front Sub Division Horizontal IEC

A | 2_9

2.3.4 Edge Connector Extrusion 66-145

A | 2_10

2.3.5 Edge Connector Extrusion 66-147

A | 2_10

2.4 Assembly Accessories

A | 2_11

2.4.1 Front Sub Division Vertical 6 U / 3 U

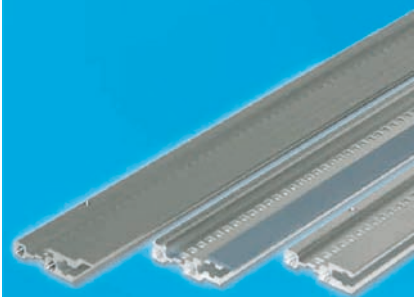
A | 2_11

2.4.2 Horizontal Card Mounting Kit

A | 2_12

2.4.3 Fan Front Panels for Horizontal Mounting Kits

A | 2_13



2.5 General Accessories	A 2_14
2.5.1 Perforated Cover Plates	A 2_14
2.5.2 Earthing Set	A 2_15
2.5.3 Card Guides IEC	A 2_16
2.5.4 Flat Front Panels	A 2_18
2.5.5 Fan Front Panel for Horizontal Ventilation	A 2_19
2.5.6 Fan Front Panels for Direct Fan Mounting	A 2_20
2.5.7 Extruded Front Panels	A 2_21
2.5.8 Front Panel with Cutouts for IEC Ejector Handles	A 2_23
2.5.9 Ergonomic Ejector Handles acc. to IEC	A 2_23
2.5.10 Card Locks and Card Handles	A 2_24
2.5.11 Card Holder acc. to IEC Standard	A 2_26
2.5.12 Middle Part	A 2_27
2.5.13 Protective Cover for 6 U Printed Board	A 2_27
2.5.14 Spacers	A 2_28
2.5.15 Mounting Plates	A 2_29
2.5.16 Hexagonal Spacers M3 Thread	A 2_29
2.5.17 Covering Caps	A 2_30
2.5.18 Mounting Bracket	A 2_30

2.6 Extrusions	A 2_31
2.6.1 Front Extrusions	A 2_31
2.6.2 Height Extrusions	A 2_32
2.6.3 Internal Extrusions	A 2_32
2.6.4 Center Extrusions	A 2_34
2.6.5 Edge Connector Extrusions	A 2_35

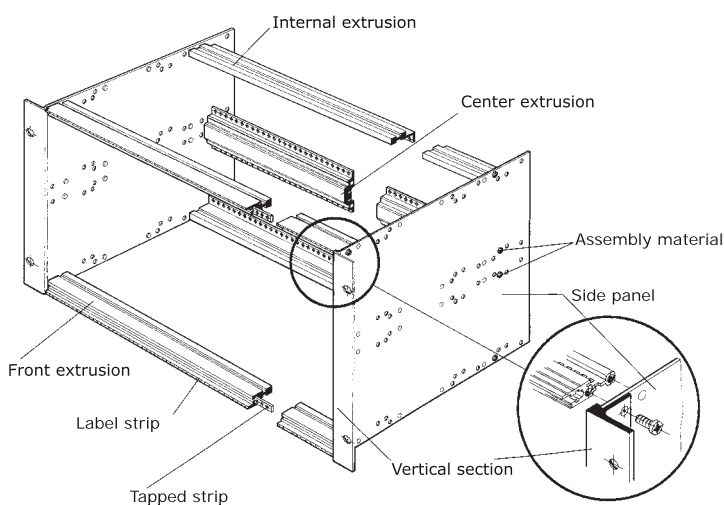


2.1 Eokit 11 Overview

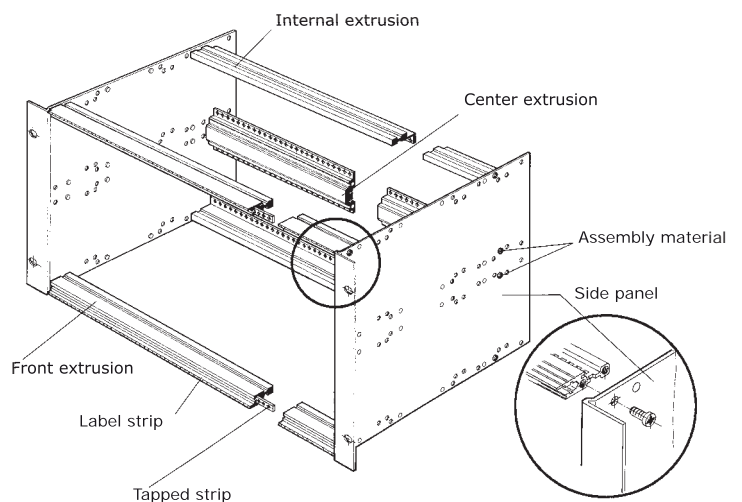
- Side panels are of 2 mm sheet aluminium
- The extruded aluminium 19" mounting sections have an effective thickness of 3 mm (Standard only).
- For mounting PCBs and plug-in units based on standard Eurocard sizes with depths of 160, 220 and 280 mm
- The use of cover plates is recommended where the sub rack is subjected to continuous vibration.
- Side panel with integrated 19" section as a cost-saving solution for Eokit 11 Integrated
- Features on the side panels allows the extrusions to be fixed with only half the number of screws

Assembly example:

Eokit 11 Standard

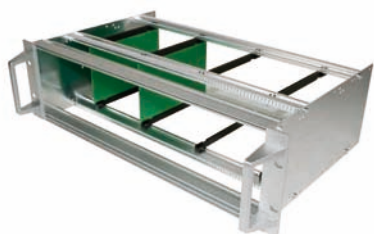


Eokit 11 Integrated



Configuration

Sub Rack



Width
2.2.1

- 42 HP / 63 HP / 84 HP (incl. assembly material)

2.2.1.1 Label Strips

Height / Depth
2.2.2

- 3 U / 6 U
- With / without holes for handles
- Standard / integrated
- 216 mm / 276 mm / 336 mm

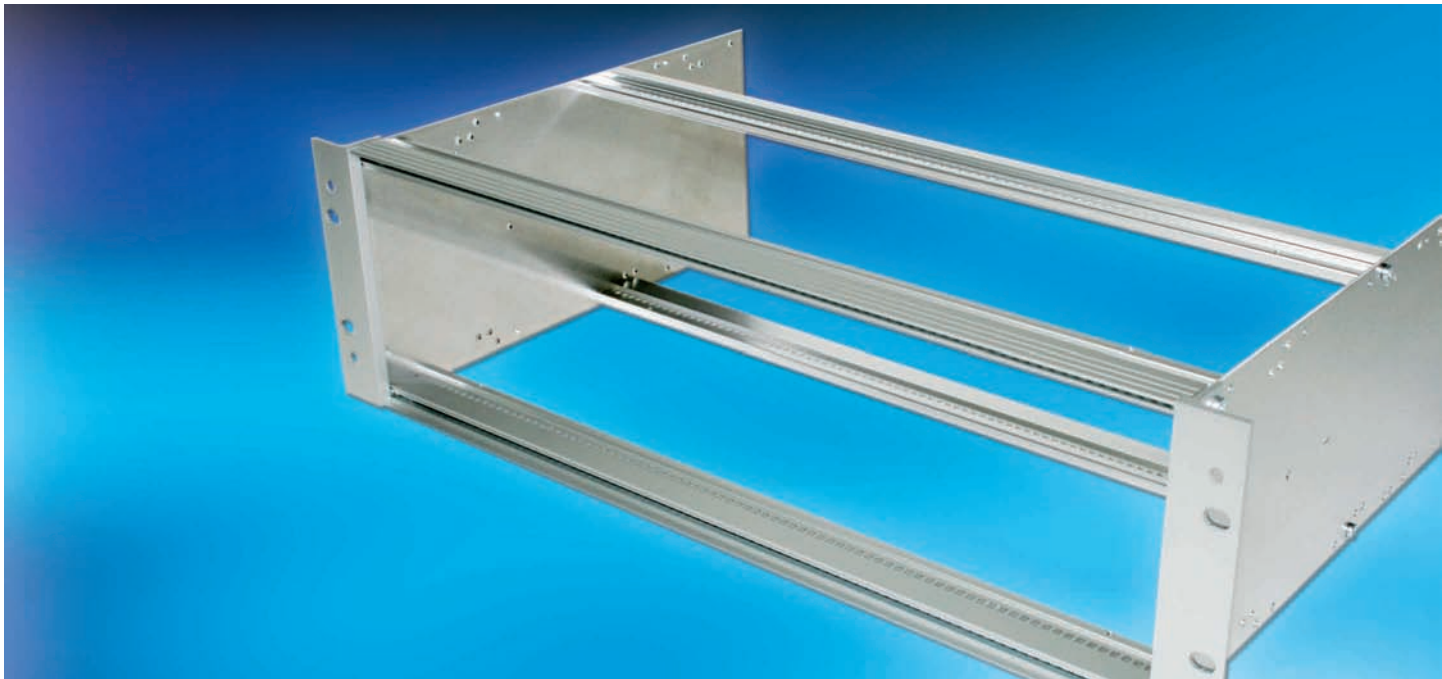
2.2.3 Handles

2.3 Adaptation Kits

2.4 Assembly Accessories

2.5 General Accessories

2.6 Extrusions



2.2 Ecokit 11 Sub Rack Configuration

2.2.1 Width

- Choose the width of your sub rack
- Set with or without centre extrusion
- **Scope of delivery:**
 - 2 front extrusions, aluminium, clear anodised
 - 4 tapped strips M2.5 (6 for version with centre extrusion)
 - 2 internal extrusions
 - 1 centre extrusion (version with centre extrusion only)
 - Insulating strips (Backplane mounting only)
 - Assembly material (Torx screws)
- Label strips see below
- Choose the right height and depth on the next step (see 2.2.2)



2.2.1 Width

Description	42 HP	63 HP	84 HP
Set Standard without centre extrusion	11E101	11E102	11E103
Set insulated backplane mounting without centre extrusion	11E104	11E105	11E106
Set Standard with centre extrusion	11E107	11E108	11E109
Set insulated backplane mounting with centre extrusion	11E110	11E111	11E112

2.2.1.1 Label Strips

- **Scope of delivery:**
 - 1 label strip consisting of 4 single tapes

Scope of Delivery	42 HP (01-42/42-01)	63 HP (01-63/63-01)	84 HP (01-84/84-01)
2 pcs. each (upper and lower)	63-142	63-143	63-046

2: Ecockit 11

2.2.2 Height / Depth

- Choose the height and depth of your sub rack
- Side panel with integrated 19" section on "Integrated" Version
- **Scope of delivery:**
 - 2 side panels, 2.0 mm aluminium, raw (Integrated: clear anodised)
 - 2 height extrusions, aluminium, clear anodised (standard version only)
- Handles see 2.2.3



2.2.2 Height/Depth

Height	Description	Depth		
		216 mm 8.50"	276 mm 10.86"	336 mm 13.22"
3 U	Standard without holes for handles	11E201	11E202	11E203
	Standard with holes for handles	11E204	11E205	11E206
	Integrated without holes for handles	11E207	11E208	
6 U	Standard without holes for handles	11E209	11E210	11E211
	Standard with holes for handles	11E212	11E213	11E214
	Integrated without holes for handles	11E215	11E216	-

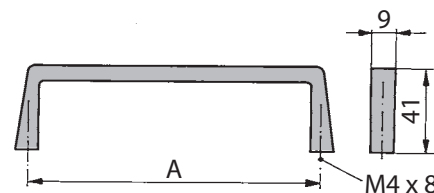
Other heights available upon request

2.2.3 Handles



2.2.3.1 U-Handle Aluminium, Anodised

- Anodised aluminium extrusion
- Width: 9 mm
- **Scope of delivery:**
 - 1 aluminium handle
 - 2 Torx countersunk screws M4 x 10 (T20)

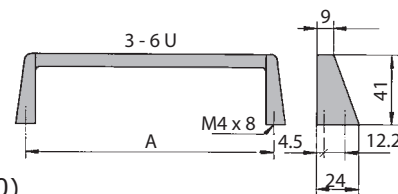


For Case Height	A		Part-No.
	mm	inch	
3 U	88.9	3.50	60-573
6 U	222.3	8.75	60-576



2.2.3.2 Die Cast Aluminium Handle

- Universal handle
- Wet painted white aluminium (Ral 9006)
- **Scope of delivery:**
 - 1 aluminium handle
 - 2 Torx countersunk screws M4 x 10 (T20)

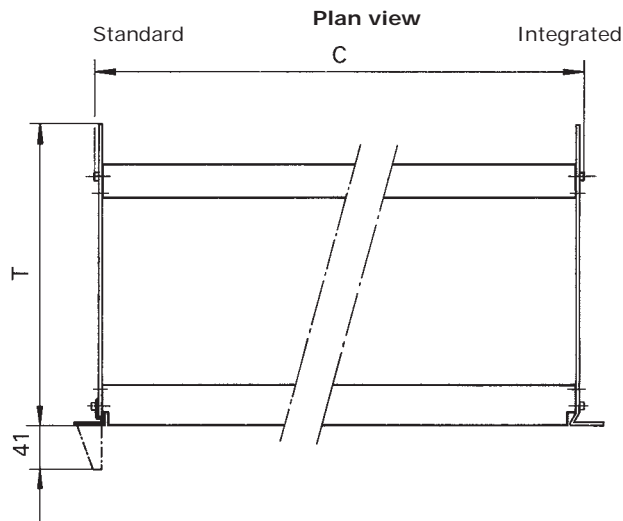
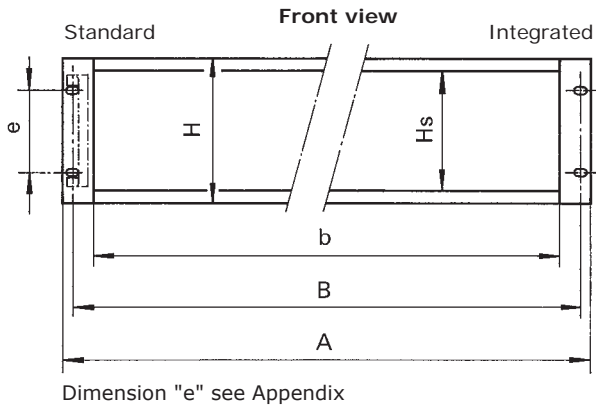


For Case Height	A		Part-No.
	mm	inch	
3 U	88.9	3.50	60-563
6 U	222.3	8.75	60-566

2: Ecokit 11

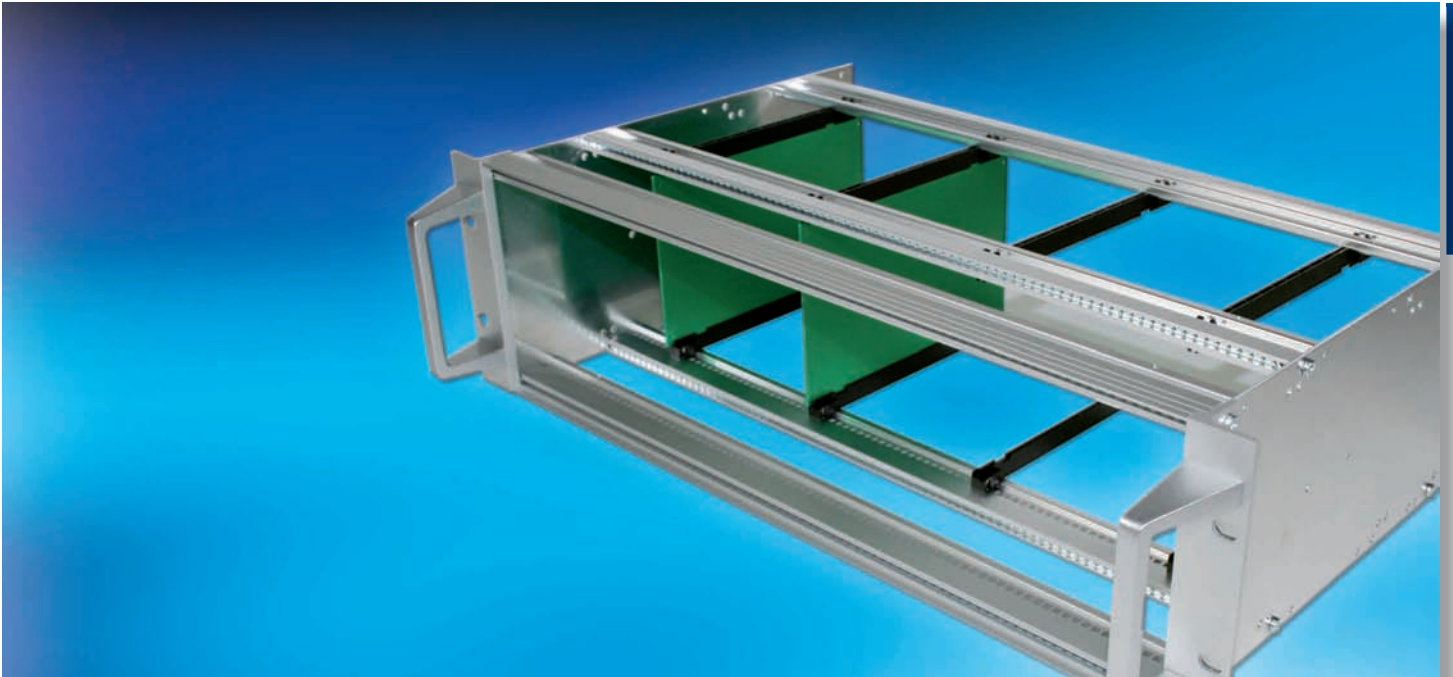
2.2.4 Line Drawing

A



Height for	Depth	
	H	Hs
3 U	132.5 mm 5.21"	112.5 mm 4.43"
6 U	265.85 mm 10.47"	245.85 mm 9.68"

Width	Depth			
	A	B	b	C
42 HP	269.2 mm 10.60"	252.5 mm 9.94"	213.3 mm 8.40"	226.8 mm 8.93"
63 HP	375.9 mm 14.80"	359.2 mm 14.14"	320.0 mm 12.60"	333.5 mm 13.13"
84 HP	482.6 mm 19.00"	465.9 mm 18.34"	426.7 mm 16.80"	440.2 mm 17.33"



2.3 Adaptation Kits

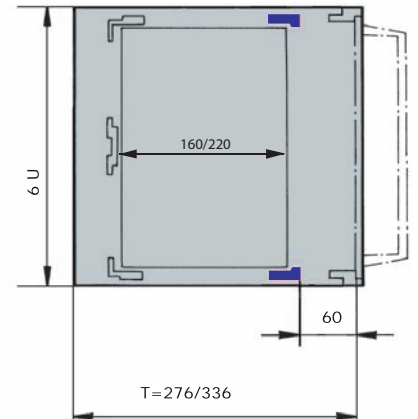
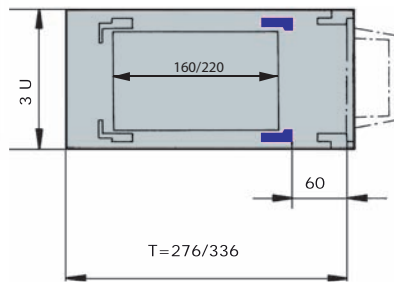
2.3.1 Adaptation Kit

- For recessed mounting of Eurocard without front panels
- **Scope of delivery:**
 - 2 internal extrusions
 - 2 tapped strips M2.5
 - Assembly material (8 Torx cylinder head screws M4 x 10, size T20)



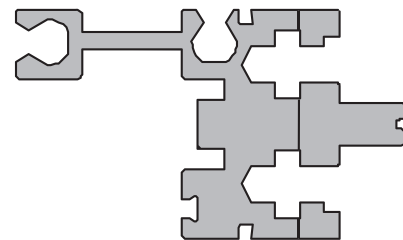
2.3.1 Adaptation Kit

Description	Width	Part-No.
Mounting for recessed eurocards without front panels	42 HP	11E532
Mounting for recessed eurocards without front panels	63 HP	11E531
Mounting for recessed eurocards without front panels	84 HP	11E530



2.3.2 Front Sub Division Horizontal IEC for Card Guides

- For sub division of front
- Card guides can be applied
- Only one special extrusion needed
- Easy and quick assembly
- Cost effective solution
- Delivered in kit form
- Usable width: 84 HP
- Other sizes available on request
- **Scope of delivery:**
 - 1 pc. front double extrusion IEC-Special clear passivated
 - 2 pcs. tapped strips M2.5
 - 4 pcs. Torx cylinder head screws M4 x 10 (T20)

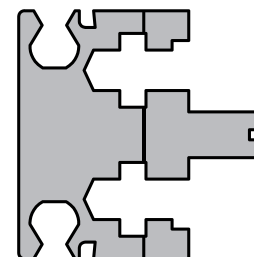


2.3.2 Front Sub Division Horizontal IEC

Description	Part-No.
EMC front sub division horizontal IEC for card guides	63K837-24

2.3.3 Front Sub Division Horizontal IEC

- For sub division of front
- Without possibility of using card guides
- Only one special extrusion needed
- Easy and quick assembly
- Cost effective solution
- Delivered in kit form
- Usable width: 84 HP
- Other sizes available on request
- **Scope of delivery:**
 - 1 pc. front double extrusion IEC-Special clear passivated
 - 2 pcs. tapped strips M2.5
 - 4 pcs. Torx cylinder head screws M4 x 10 (T20)



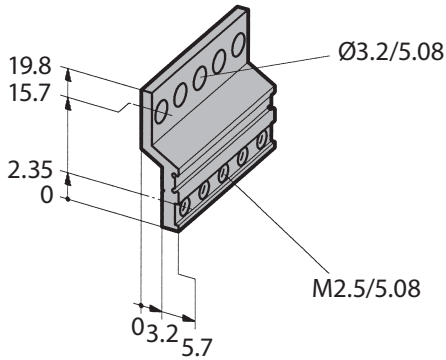
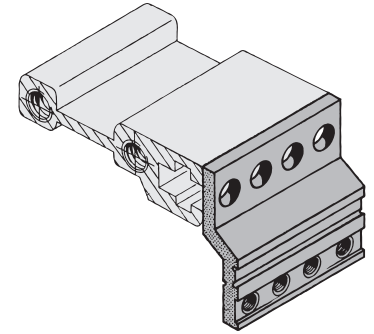
2.3.3 Front Sub Division Horizontal IEC

Description	Part-No.
EMC front sub division horizontal IEC	63K837-22

2: Ecockit 11

2.3.4 Edge Connector Extrusion 66-145

- For use with standard extrusion 66-144
- Edge connector extrusion without assembly material



1.7.5.1 Edge Connector Extrusion 66-145

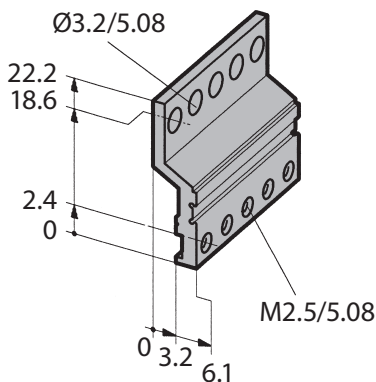
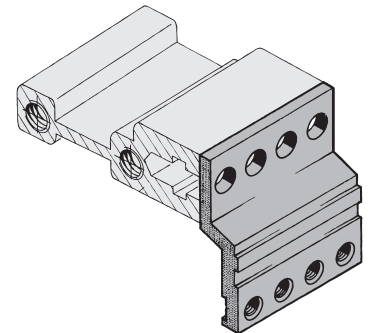
Length for HP	mm	inch	Part-No.	
			clear passivated	raw
8	40.6	1.59	66-145-40	
18	91.4	3.59	66-145-41	
28	142.2	5.60	66-145-42	
42	213.4	8.40	66-145-63	
63	320.0	12.60	66-145-65	
81	411.5	16.20	66-145-22	
84	426.7	16.80	66-145-52	
	1350.0	53.14		66-145-19

Assembly Material

Description	Part-No.
Assembly material M2.5 (for 2 supplementary extrusions)	63-214

2.3.5 Edge Connector Extrusion 66-147

- For use with extrusions for backplanes 66-193
- Edge connector extrusion without assembly material



7.4.2.1 Edge Connector Extrusion

Length for HP	mm	inch	Part-No.	
			clear passivated	raw
8	40.6	1.59	66-147-40	
18	91.4	3.59	66-147-41	
28	142.2	5.60	66-147-42	
42	213.4	8.40	66-147-63	
63	320.0	12.60	66-147-65	
81	411.5	16.20	66-147-22	
84	426.7	16.80	66-147-52	
	1350.0	53.14		66-147-19

Assembly Material

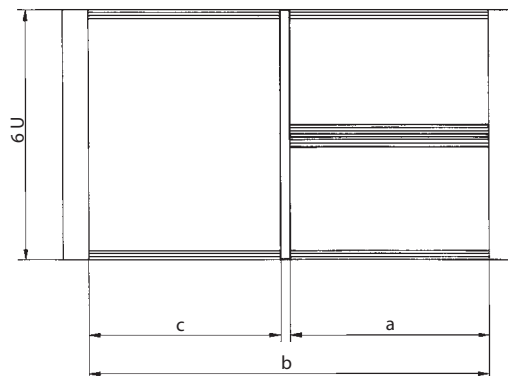
Description	Part-No.
Assembly material M2.5 (for 2 supplementary extrusions)	63-214



2.4 Assembly Accessories

2.4.1 Front Sub Division Vertical 6 U / 3 U

- Allows both single and double eurocards to be mounted together in a 6 U Eokit 11
- **Scope of delivery:**
 - 1 divider extrusion front
 - 1 divider extrusion rear
 - 2 front extrusions
 - 2 internal extrusions
 - 1 set assembly material (cross recessed)
- Tapped strip see below
- Card guides see 2.5.3



2.4.1 Front Sub Division Vertical 6 U / 3 U

Usable	Width b			Part-No.	
	Width a	42 HP	63 HP		84 HP
21 HP		c = 19 HP	c = 40 HP	c = 61 HP	11-979-2
28 HP		c = 12 HP	c = 33 HP	c = 54 HP	11-969-2
32 HP		c = 8 HP	c = 29 HP	c = 50 HP	11-959-2
42 HP			c = 19 HP	c = 40 HP	11-949-2
63 HP				c = 19 HP	11-939-2

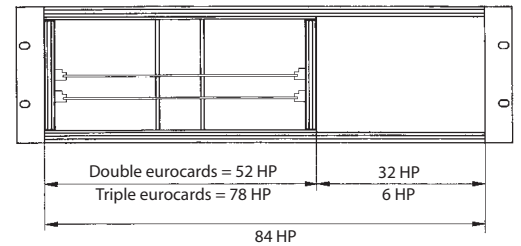
2.4.1.1 Tapped Strips for Front Extrusion

Scope of Delivery	Description	Part-No.
1 pc. tapped strip	M2.5 21 HP = 106.68 mm	61-459
10 pcs. tapped strips		63-182
1 pc. tapped strip	M2.5 28 HP = 142.24 mm	61-458
10 pcs. tapped strips		63-183
1 pc. tapped strip	M2.5 32 HP = 162.56 mm	61-463
10 pcs. tapped strips		63-190
1 pc. tapped strip	M2.5 42 HP = 212.9 mm	61-464
10 pcs. tapped strips		63-057
1 pc. tapped strip	M2.5 63 HP = 319.6 mm	61-469
10 pcs. tapped strips		63-062



2.4.2 Horizontal Card Mounting Kit

- For double eurocards (6 U)
- Independent of card depth
- **Scope of delivery:**
 - 4 distance plates (2 front / 2 rear)
 - 4 length extrusions (2 front / 2 rear)
 - 1 centre extrusion
 - 6 tapped strips M2.5
 - 1 set assembly material (Torx)
- Top and bottom cover plate when no overall fan front panel (2.4.3) is used
- Top and bottom cover plate has to be ordered separately (see table)
- Fan front panels for horizontal mounting kits see 2.4.3
- Card guides see 2.5.3
- Extruded front panels see 2.5.7



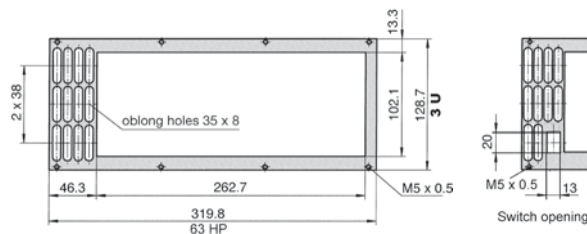
2.4.2 Horizontal Card Mounting Kit

Mounting Height	Usable Height	Backplane	Cover plate top*	Cover plate bottom*
3 U	20 HP	14K971-60	21N602-90	21N602-90
6 U	48 HP	14K991-60	21N606-90	21N607-90

* Assembly material for cover plate see 2.4.3.1

2.4.3 Fan Front Panels for Horizontal Mounting Kits

- For horizontal mounting of double eurocards
- Aluminium 2.5 mm, clear anodised (non-conductive)
- **Scope of delivery:**
 - 1 perforated fan front panel
- Front panel screw see below
- On-off switch see below



2.4.3 Fan Front Panels for Horizontal Mounting Kits

Description	Height	Width	Air passage		Part-No.
			mm ²	sq. inch	
Without switch opening	3 U	63 HP	3195	4.95	21N363-07
With switch opening	3 U	63 HP	2662	4.12	21N363-02



2.4.3.1 Front Panel Screws

- Set of 10 screws
- With threaded or press-fit bush
- 8 screws are necessary per front panel

Description	Part-No. 10 pcs.
Recessed round head screw M2.5 x 11 with threaded bush M5 x 0.5	63-129
Recessed round head screw M2.5 x 11 with press-fit bush Ø3.7	63-444



2.4.3.2 On-Off Switch

- Black body, plastic
- 2 pole (only on-off switches)
- 250V, 16A
- Quick-connect terminal 6.3 x 0.8 mm
- Panel cutout for 69-410-05: 13 x 20 mm (0.51" x 0.78")

Description	Part-No.
On-off switch, indicator light green (for fan front panel 3 U)	69-410-05

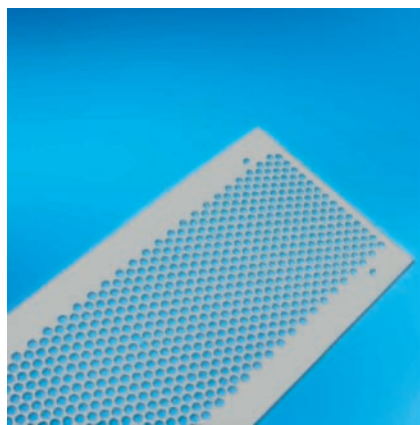
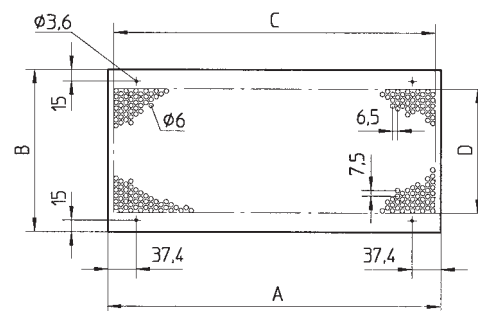




2.5 General Accessories

2.5.1 Perforated Cover Plates

- 1 mm sheet aluminium, perforated
- Front extrusions and internal extrusions are pre-drilled to accept the fixing screws
- Provides mechanical protection for the card area
- **Scope of delivery:**
 - 1 perforated cover plate
- Assembly material see below
- Cover plates for card depths 300 mm and 400 mm upon request



2.5.1 Perforated Cover Plates

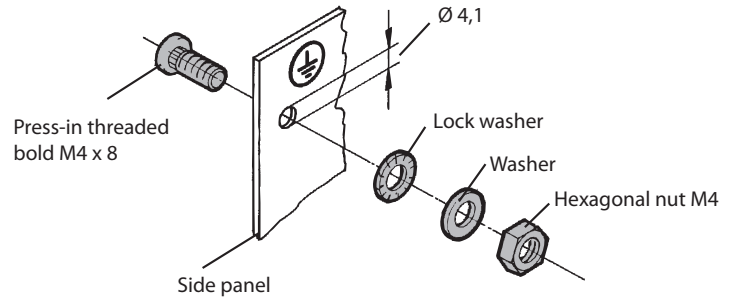
Case Width	Card Depth	A	B	C	D	Part-No.
42 HP	160 mm 6.30"	217.64 mm 8.56"	149 mm 5.86"	207.5 mm 8.16"	107.25 mm 4.22"	11-701
	220 mm 8.66"	217.64 mm 8.56"	209 mm 8.22"	207.5 mm 8.16"	159.75 mm 6.28"	11-702
63 HP	160 mm 6.30"	324.32 mm 12.76"	149 mm 5.86"	311.5 mm 12.26"	107.25 mm 4.22"	11-703
	220 mm 8.66"	324.32 mm 12.76"	209 mm 8.22"	311.5 mm 12.26"	159.75 mm 6.28"	11-704
84 HP	160 mm 6.30"	431 mm 16.96"	149 mm 5.86"	415.5 mm 16.35"	107.25 mm 4.22"	11-706
	220 mm 8.66"	431 mm 16.96"	209 mm 8.22"	415.5 mm 16.35"	159.75 mm 6.28"	11-707
	280 mm 11.02"	431 mm 16.96"	269 mm 10.59"	415.5 mm 16.35"	212.25 mm 8.35"	11-708

Assembly Material

Description	Scope of Delivery	Part-No.
Cross recessed screw M3x6	Pack size 8 pieces	63-195
	Pack size 100 pieces	63-372
Torx cylinder head earthing screw M3x6, size T10	Pack size 1 piece	5443-04

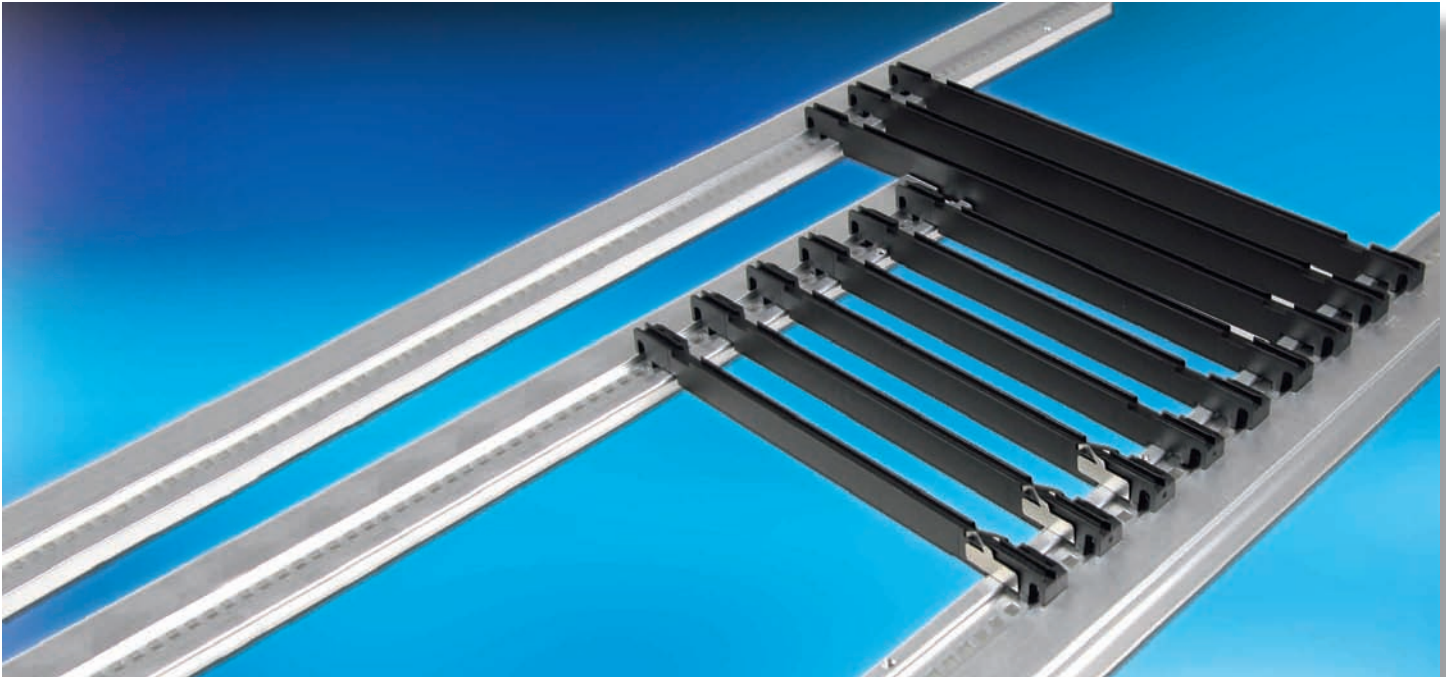
2.5.2 Earthing Set

- Enables cases to be earthed in conformance with EN / VDE / SEV
- **Scope of delivery:**
 - 1 press-in threaded bolt M4 x 8
 - 1 washer
 - 1 serrated lock washer
 - 1 hexagonal nut M4



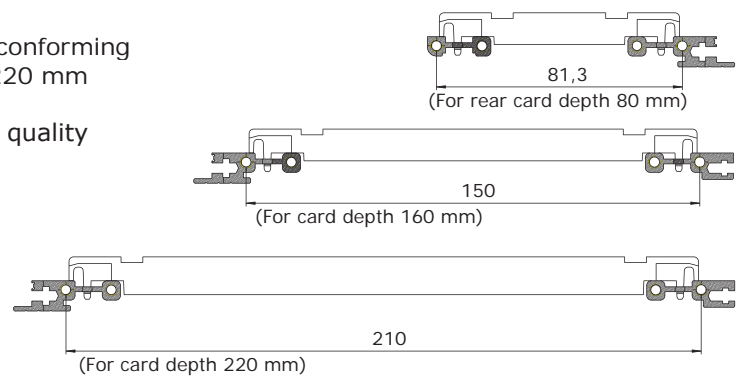
2.5.2 Earthing Set

Description	Part-No.
Earthing set according to EN / VDE / SEV	63-127



2.5.3 Card Guides IEC

- For positive location of circuit boards and plug-in units conforming to the dimensions of card depths of 80 mm, 160 mm, 220 mm and 280 mm
- The card guides are non-flammable, made from a high quality plastic material reinforced with fibreglass (UL94 V-0)
- Including ESD provisions



2.5.3.1 Card Guides 1-Slot

- **Scope of delivery:**
 - Card guide black plastic UL94 V-0
- ESD Clip see below (not usable for card depth 80 mm)

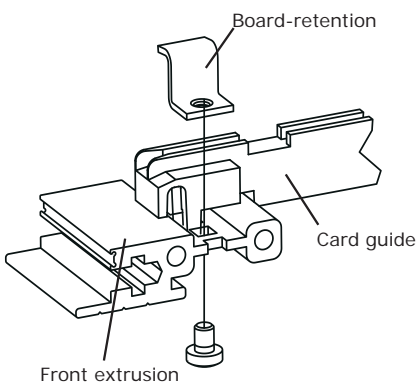
Card Thickness		Card Depth		Part-No.	Part-No.	Part-No.
mm	inch	mm	inch	10 pcs.	100 pcs.	1000 pcs.
1.6	0.06	80	3.15	63-319	63-322	
		160	6.30	63-028	63-029	63-478
		220	8.66	63-103	63-104	63-479
		280	11.02	63-323	63-324	61-017-3
2.0	0.08	160	6.30	63-328	63-329	
		220	8.66	63-303	63-304	
		280	11.02	63-445	63-446	



2.5.3.2 ESD Clips

- Connecting printed board with case

Description	Part-No.	Part-No.
	10 pcs.	100 pcs.
ESD clip front bottom/rear top	63-863	63-864
ESD clip front top/rear bottom	63-865	63-866



2.5.3.3 Card Guides 7-Slot in 4 HP Steps

- For reduced assembly time of multiple slot applications
- For use with single, double and triple eurocards with a depth of 160 mm
- For card thickness: 1.6 mm / 0.06"
- Black plastic, UL94 V-0
- ESD Clip not usable

Card Thickness		Card Depth		Part-No. 1 pc.	Part-No. 50 pcs.
mm	inch	mm	inch		
1.6	0.06	160	6.30	61-076	63-364

2.5.3.4 Aluminium Card Guides 1-Slot, 3 Parts

- Extrusion: Aluminium
- End feet: plastic, UL94 V-0
- For card thickness: 1.6 mm / 0.06"
- Card guide extrusion, single, clear anodised
- ESD clip not usable

Extrusion

Card Depth		Length		Part-No. Aluminium
mm	inch	mm	inch	
160	6.30	112.5	4.43	66-122-20
220	8.66	172.5	6.79	66-122-21
280	11.02	232.5	9.15	66-122-22
340	13.38	292.5	11.51	66-122-23
400	15.74	352.5	13.87	66-122-24
		1350	53.15	66-122-14

End Feet

Description	Part-No. 1 Pair	Part-No. 50 Pairs
End feet plastic, UL94 V-0	61-069	63-030

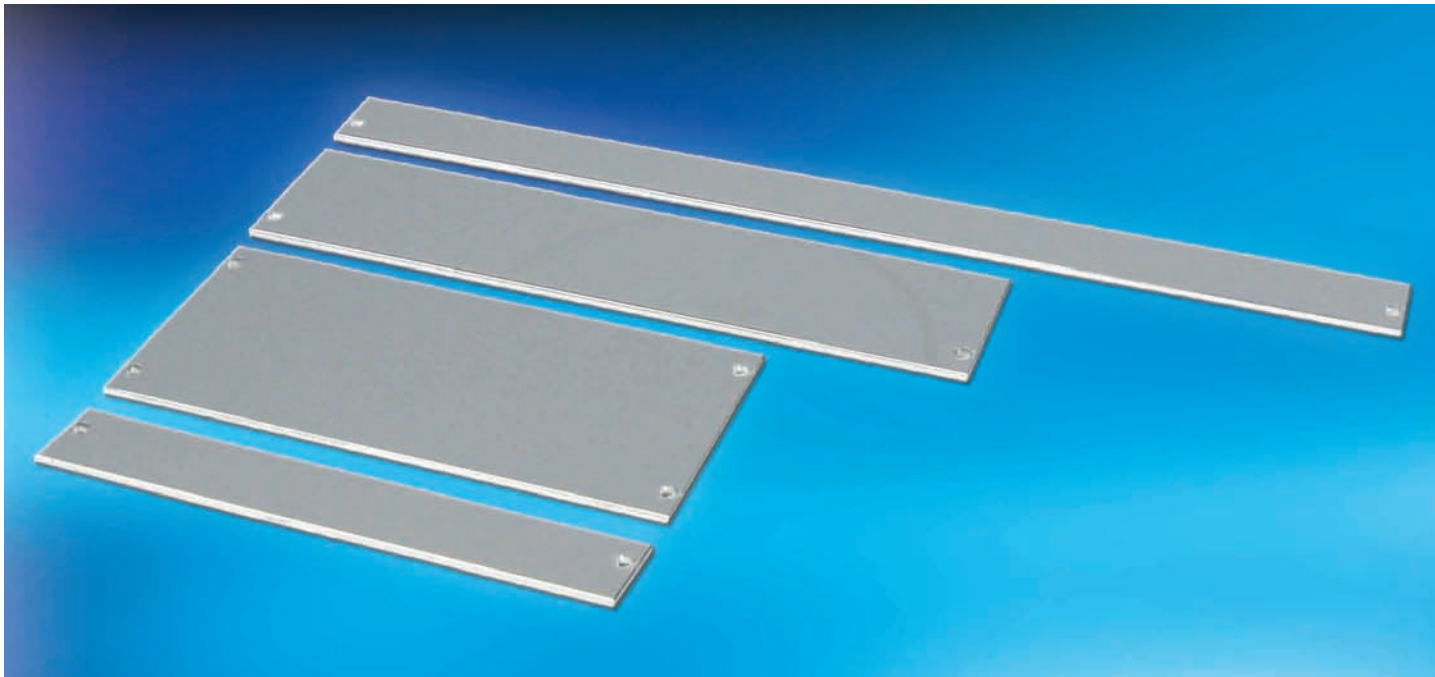
2.5.3.5 Card Guide Board-Retention Bar

Description	Part-No. 20 pcs.
Board-retention bar, zinc-plated steel	61-291

Assembly Material

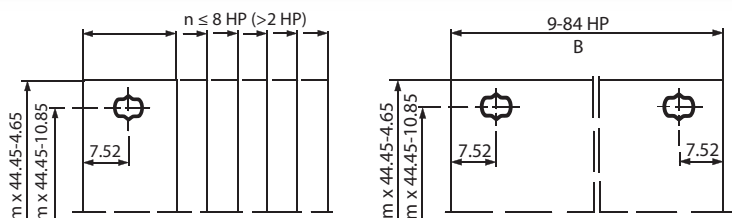
Description	Part-No.
Cross recessed round head screw M3 x 4 (100 pcs.)	1912-04
Torx cylinder head screw M3 x 4, size T10 (1 pc.)	5470-01

2: Ecockit 11



2.5.4 Flat Front Panels

- For sub racks and enclosures, solid
- Aluminium 2.5 mm, clear anodised (non-conductive)
- **Scope of delivery:**
 - Flat front panel
- Front panel screws, see below
- 1 HP and 2 HP are divider extrusions (not flat panels)



2.5.4 Flat Front Panels for Sub Racks and Enclosures, Solid

Width	B		Part-No.	
	mm	inch	3 U 128.7mm	6 U 262.0mm
1 HP	5.0	0.19	66-115-21	66-115-25
2 HP	10.0	0.39	66-107-44	66-107-47
3 HP	15.2	0.59	21N303	21N603
4 HP	20.1	0.79	21N304	21N604
5 HP	25.2	0.99	21N305	21N605
6 HP	30.3	1.19	21N306	21N606
7 HP	35.3	1.38	21N307	21N607
8 HP	40.4	1.59	21N308	21N608
10 HP	50.6	1.99	21N310	21N610
11 HP	55.7	2.19	21N311	-
12 HP	60.7	2.38	21N312	21N612
14 HP	70.9	2.79	21N314	21N614
16 HP	81.1	3.19	21N316	21N616
20 HP	101.4	3.59	21N320	21N620
21 HP	106.5	4.19	21N321	21N621
28 HP	142.0	5.59	21N328	21N628
32 HP	162.3	6.38	21N332	
42 HP	213.1	8.38	21N342	21N642
52 HP	263.9	10.38	21N352	21N652
63 HP	319.8	12.59	21N363	21N663
81 HP	411.3	16.19	21N381	21N681
84 HP	426.5	16.79	21N384	21N684

- Other front panels see chapter C

2.5.4.1 Front Panel Screws

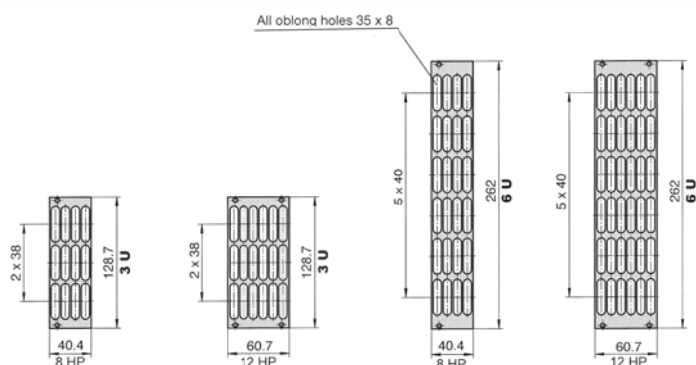
- Set of 10 screws, with screw retainer

Description	Part-No.
Torx screws M2.5 x 11.3, size T8 with plastic screw retainer	10 pcs. 63K159
Milled edge screws recessed M2.5 x 11.3 with plastic screw retainer	63-159



2.5.5 Fan Front Panel for Horizontal Ventilation

- Aluminium 2.5 mm, clear anodised (non-conductive)
- **Scope of delivery:**
 - 1 perforated fan front panel
- Front panel screws see below



2.5.5 Fan Front Panel for Horizontal Ventilation

Height	Width	Air passage		Part-No.
		mm ²	sq. inch	
3 U	8 HP	3195	4.95	21N308-01
	12 HP	4793	7.42	21N312-01
6 U	8 HP	6390	9.90	21N608-01
	12 HP	9586	14.85	21N612-01

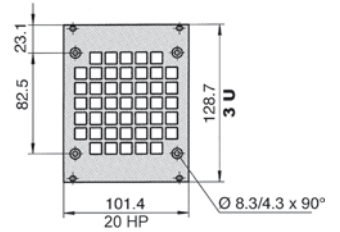
2.5.5.1 Front Panel Screws

- Set of 10 screws
- With screw retainer
- Fan front panel width up to 8 HP = 2 screws; ≥ 12 HP = 4 screws

Description	Part-No. 10 pcs.
Torx screws M2.5 x 11.3, size T8 with plastic screw retainer	63K159
Milled edge screws recessed M2.5 x 11.3 with plastic screw retainer	63-159

2.5.6 Fan Front Panels for Direct Fan Mounting

- Aluminium 2.5 mm, clear anodised (non-conductive)
- Scope of delivery:**
 - 1 perforated fan front panel
- Front panel screws see below
- Assembly material for fan mounting has to be ordered separately



2.5.6 Fan Front Panels for Direct Fan Mounting

Description	Height	Width	Air passage		Part-No.
			mm ²	sq. inch	
Without switch opening	3 U	20 HP	4051	6.27	21N320-04

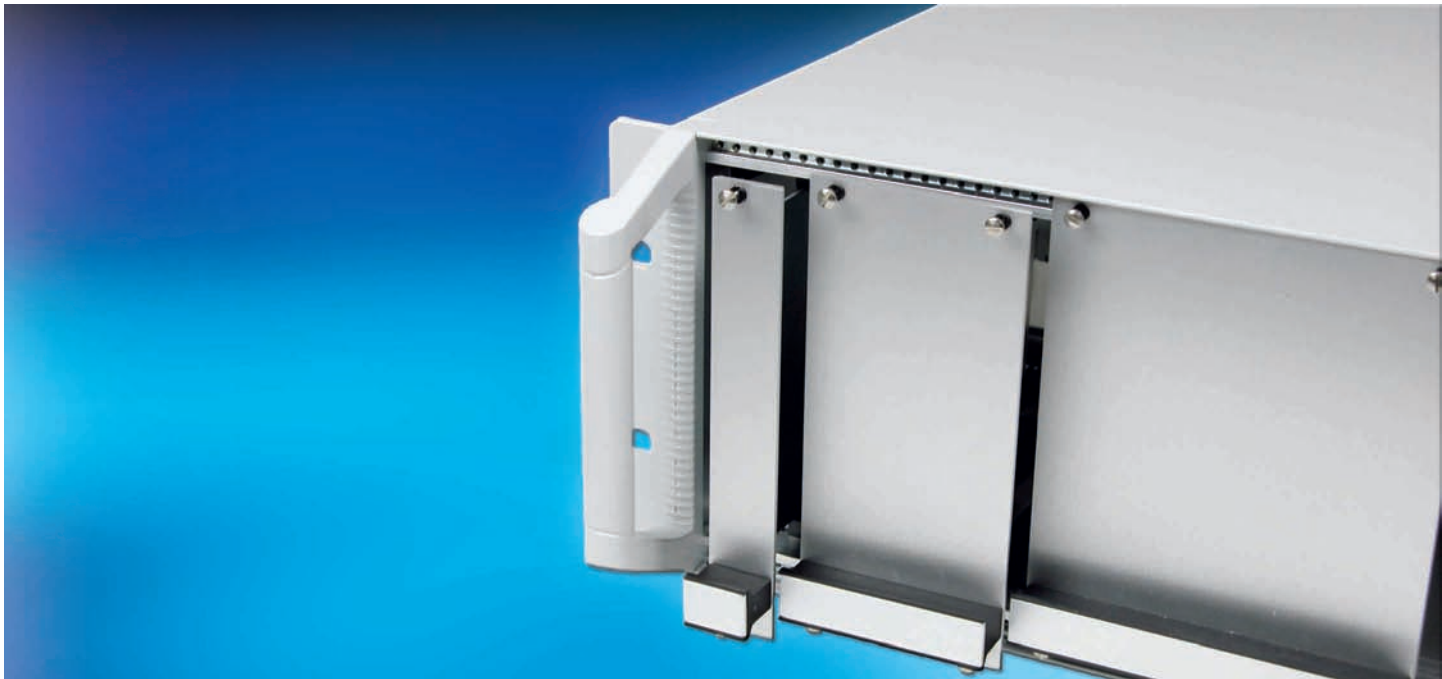
2.5.6.1 Front Panel Screws

- Set of 10 screws
- With screw retainer
- Per front panel 4 screws are needed

Description	Part-No. 10 pcs.
Torx screws M2.5 x 11.3, size T8 with plastic screw retainer	63K159
Milled edge screws recessed M2.5 x 11.3 with plastic screw retainer	63-159

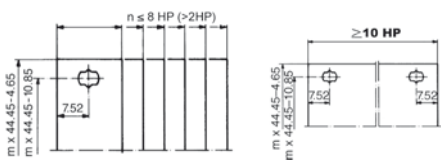
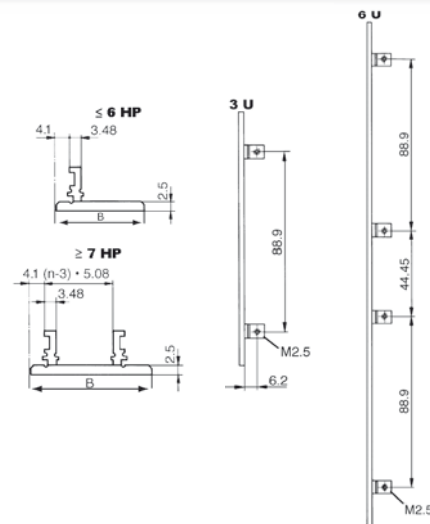
2.5.6.2 Assembly Material for Fan Mounting

Description	Part-No. 1 pc.	Part-No. 100 pcs.
Countersunk screw, recessed M4 x 10	5342-10	1906-24
Hexagonal nut M4, 0.8D	5620-51	1907-20



2.5.7 Extruded Front Panels

- Aluminium 2.5 mm, clear anodised (non-conductive)
- PCB mounting lugs are formed on the rear face of the panel
- No PCB fixing screws on the front face of the panel, leaving more space for silk screening and mounting front panel components
- Suitable for all sub racks and cases
- Thickness of the mounting lugs (3.48 mm) allows PCBs to be mounted on either side
- At rear drill marks for handle fixing holes
- **Scope of delivery:**
 - Extruded front panel, clear anodised
- Front panel screws see below



2.5.7 Extruded Front Panels, without Openings

Width	B		Part-No.	Part-No.
	mm	inch	3 U	6 U
3 HP	15.0	0.59	26N303	26N603
4 HP	20.1	0.79	26N304	26N604
5 HP	25.2	0.99	26N305	26N605
6 HP	30.3	1.19	26N306	26N606
7 HP	35.3	1.38	26N307	26N607
8 HP	40.4	1.59	26N308	26N608
10 HP	50.6	1.99	26N310	26N610
12 HP	60.7	2.38	26N312	26N612
14 HP	70.9	2.79	26N314	26N614
16 HP	81.1	3.19	26N316	26N616
21 HP	106.5	4.19	26N321	

2.5.7.1 Front Panel Screws

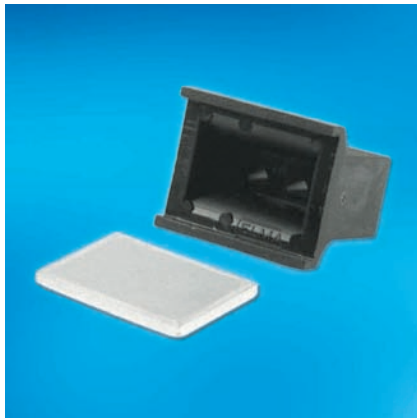
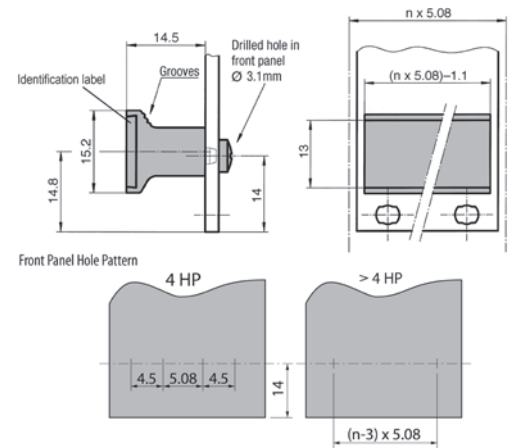
- Set of 10 screws
- With screw retainer
- Front panel width up to 9 HP = 2 screws; ≥ 10 HP = 4 screws

Description	Part-No.
Torx screws M2.5 x 11.3, size T8, with plastic screw retainer	63K159
Milled edge screws recessed M2.5 x 11.3, with plastic screw retainer	63-159

2: Ecockit 11

2.5.7.2 Rigid-Mounted Unit Handles with Identification Label

- Black, plastic UL94 V-0, label aluminium anodised
- **Scope of delivery:**
 - Rigid-mounted handle
 - Identification label
- Assembly material see below



2.5.7.2 Rigid-Mounted Handle with Identification Label

Width	Scope of Delivery	Part-No.
4 HP top*	5 pcs.	60-200-01
4 HP bottom*	5 pcs.	60-200-02
4 HP	10 pcs.	60-200-04
5 HP	10 pcs.	60-200-05
6 HP	10 pcs.	60-200-06
7 HP	10 pcs.	60-200-07
8 HP	10 pcs.	60-200-08
10 HP	10 pcs.	60-200-10
12 HP	10 pcs.	60-200-12
14 HP	1 pc.	60-200-14
21 HP	1 pc.	60-200-21

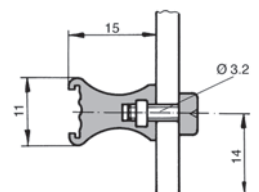
- Other sizes (up to 84 HP) are available upon request
- * (Flat front panel with card holder)

Assembly Material

Description	Part-No. 1 pc.	Part-No. 100 pcs.
Recessed round head screw	61-276	1902-70

2.5.7.3 Fluted Handles

- Extruded aluminium handles, shaped to facilitate withdrawal of plug-in units
- Two grooves in the front face will accept identification strips (0.5 x 9 mm)
- **Scope of delivery:**
 - Extruded handle, clear anodised
 - Assembly material



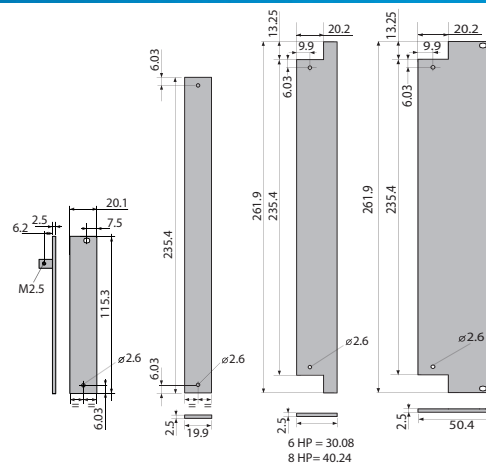
2.5.7.3 Fluted Handles for Front Panels to IEC

Front Panel Width HP	Width		Handle Length		Part-No.
	mm	inch	mm	inch	
3 HP	15.0	0.59	12.5	0.49	60-103
4 HP	20.1	0.79	17.6	0.69	60-104
5 HP	25.2	0.99	22.6	0.88	60-105
6 HP	30.3	1.19	27.7	1.09	60-106
7 HP	35.3	1.38	33.5	1.31	60-107
8 HP	40.4	1.59	37.9	1.49	60-108
10 HP	50.6	1.99	48.0	1.88	60-110
12 HP	60.8	2.39	58.2	2.29	60-112
14 HP	70.9	2.79	69.1	2.72	60-114
16 HP	81.1	3.19	78.5	3.09	60-116
20 HP	101.4	3.99	98.8	3.88	60-120
21 HP	106.5	4.18	104.6	4.11	60-121
27 HP	137.0	5.39	134.4	5.29	60-127
30 HP	152.2	5.99	149.6	5.88	60-130
40 HP	203.0	7.99	200.4	7.88	60-140
60 HP	304.6	11.99	302.0	11.88	60-160
84 HP	426.5	16.79	424.0	16.69	60-184

2: Ecokit 11

2.5.8 Front Panel with Cutouts for IEC Ejector Handles

- Aluminium 2.5 mm, clear anodised (non-conductive)
- PCB mounting lugs are formed on the rear face of the panel (only 3 U Version)
- No PCB fixing screws on the front face of the panel, leaving more space for silk screening and mounting front panel components
- Suitable for all sub racks and cases
- 3 U front panels prepared for one handle
- 6 U front panels prepared for two handles
- **Scope of delivery:**
 - Front panel, clear anodised
- Front panel screws see below (for 3 U-Version only)
- IEC ejector handles, see 2.5.9



2.5.8 Front Panel with Cutout for IEC Ejector Handle

Width	B		Part-No. 3 U	Part-No. 6 U
	mm	inch		
4 HP	20.0	0.79	26N304-51	21N604-51
6 HP	30.2	1.19		21N606-51
8 HP	40.3	1.59		21N608-51
10 HP	50.5	1.99		21N610-51

Front Panel Screws (for 3 U-Version only)

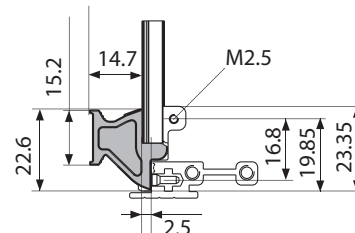
- Set of 10 screws
- With screw retainer
- Front panel 3 U = 1 screw

Description	Part-No. 10 pcs.
Torx screws M2.5 x 11.3, size T8, with plastic screw retainer	63K159
Milled edge screws recessed M2.5 x 11.3, with plastic screw retainer	63-159



2.5.9 Ergonomic Ejector Handles acc. to IEC

- Simple assembly of plug-in units
- Allows trouble free extraction of electronic units with multipole connectors
- Main features in one part: card holder, ejector handle and centring pin
- Reset spring for safe insertion
- One version for top and bottom only
- Handle is injection moulded, glass-reinforced plastic, UL94 V-0
- Card holder is zinc die-cast, nickel plated
- Reset spring is stainless steel
- **Scope of delivery:**
 - Ejector handle
 - Assembly material (cross recessed screws M2.5 for fixing of card holder/printed board/front panel)
- Front panel with special cutouts have to be ordered separately



2.5.9 Ejector Handle acc. to IEC

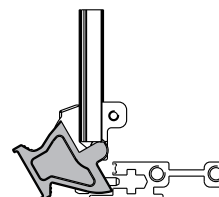
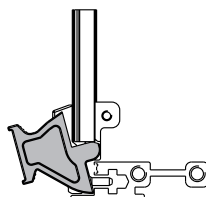
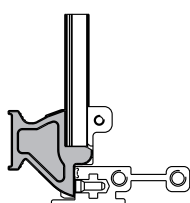
Description	Part-No. 10 pcs.	Part-No. 100 pcs.
Ejector handle black	81-233-1	81-233-2
Ejector handle grey	81-234-1	81-234-2

Extraction process:

Rest position

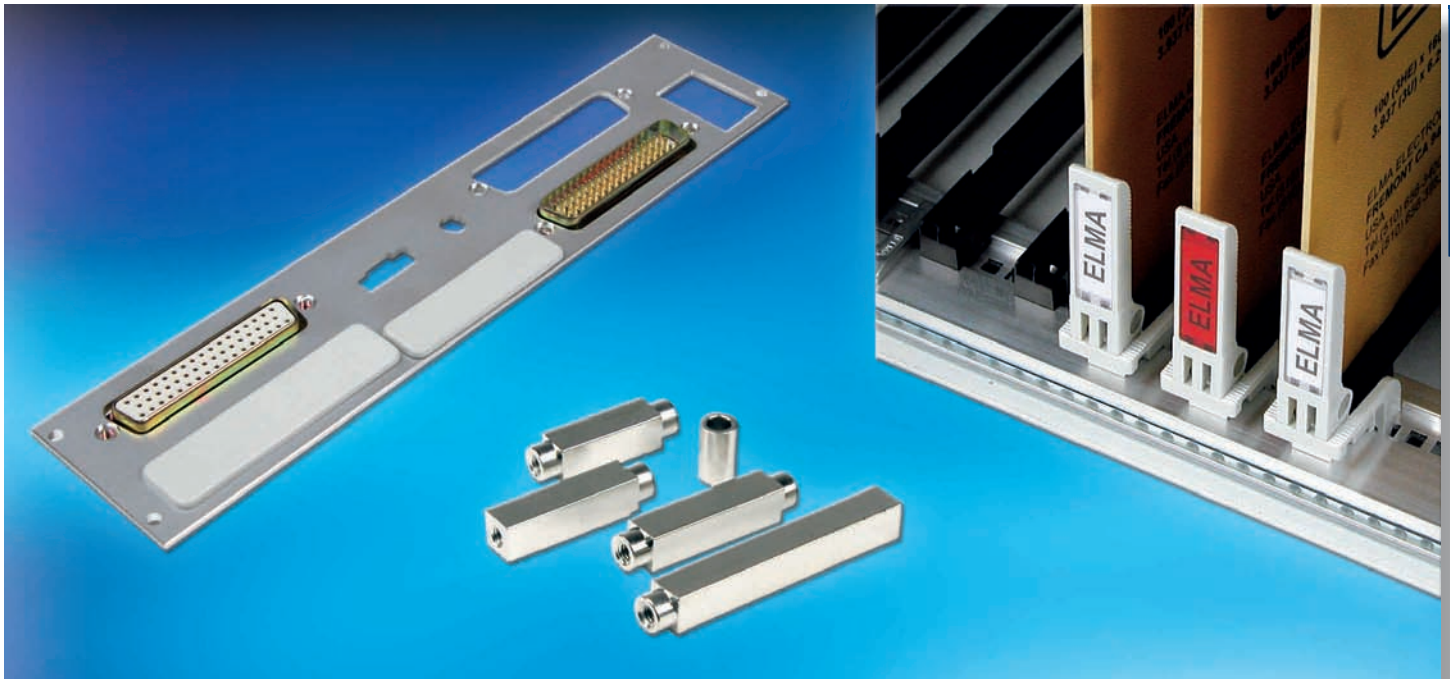
Extraction

End position



Label

Description	Part-No.
1 sheet A4 of 220 labels	81-031



2.5.10 Card Locks and Card Handles

- The card lock is easily mounted onto the upper or lower front profile
- When the PCB is pushed home, it is automatically locked into position
- The card eject mechanism can be attached to the top or bottom front edge of the PCB and is used in conjunction with the card lock
- The lever action ensures smooth and jerk-free card removal, especially useful when multi-pole connectors are being used
- Transparent windows in different colours and self-adhesive labels set into the front face of the eject mechanism make card identification easy
- The card lock and eject mechanism does not inhibit the use of front panels
- For recessed cards, a special card lock is available, suitable for use with profile 66-144
- **Scope of delivery:**
 - Card locks, eject mechanisms, windows and labels



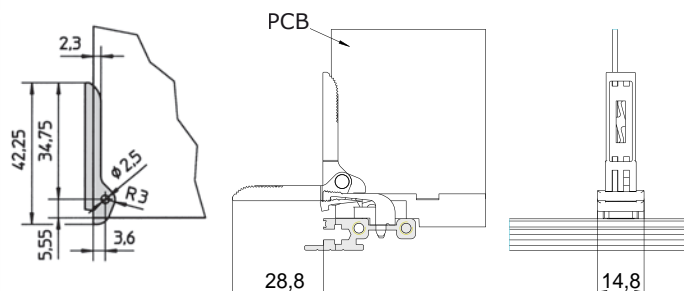
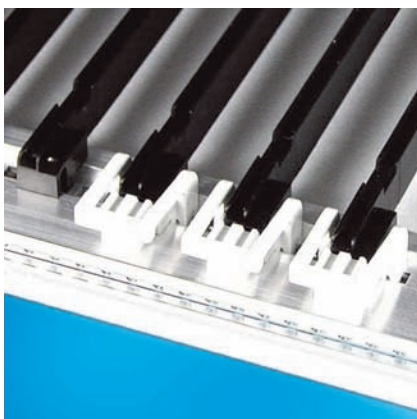
2.5.10.1 Card Locks, Card Injector/Ejector Handles

Description	Colour	Part-No. 10 pcs.	Part-No. 100 pcs.
Card ejector handles		63-151	63-152
Card locks		63-153	63-154
Card locks to 66-144		63-163	63-164
Transparent window	Clear	63-155-1	63-156-1
	Red	63-155-4	63-156-4

- Other colours (yellow, green, blue, orange) upon request

Labels

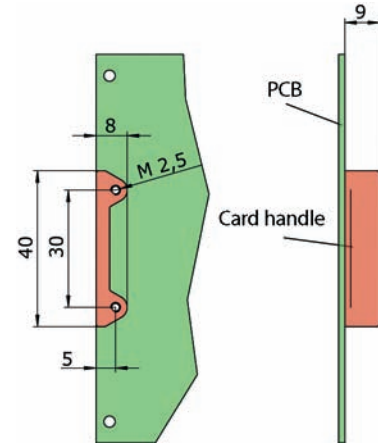
Description	Part-No.
1 sheet A4 of 105	63-161



2: Ecokit 11

2.5.10.2 Card Handles

- Coloured, transparent handles which will accept labels facilitate the handling and identification of PCBs
- **Scope of delivery:**
 - 1 card handle
- Two screws M2.5 x 5 are needed per handle and have to be ordered separately



2.5.10.2 Card Handles

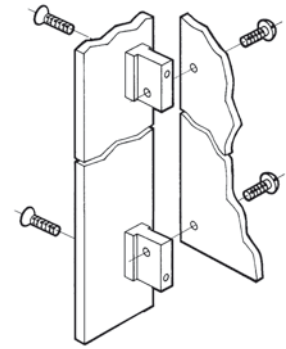
Description	Colour	Part-No. 1 pc.	Part-No. 100 pcs.
Card handle	clear	1091-51	
	red	1091-54	
Cylindrical recessed screw M2.5 x 5		5571-05	1901-05
Torx cylinder head screw M2.5 x 5, size T8		5470-07	
Labels (1 A4 sheet of 185)		1091-59	

- Other colours (blue, yellow, green, orange) upon request

2: Ecockit 11

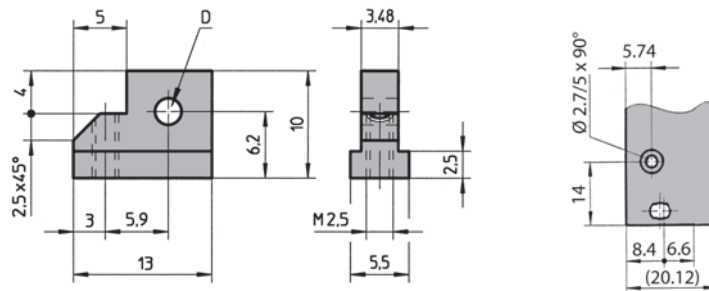
2.5.11 Card Holder acc. to IEC Standard

- By using the zinc die-cast card holder, flat front panels can be connected to a PCB to form a plug-in unit to IEC 60297
- The card can be mounted both in the standard position and offset 1 HP (5.08 mm)
- For better positioning of 6 U cards, there is a card holder centre piece made of nylon (see 2.5.13)
- The injector-/ejector handle can be used with the card holder
- **Scope of delivery:**
 - 1 card holder
- Assembly material see 2.5.12.3



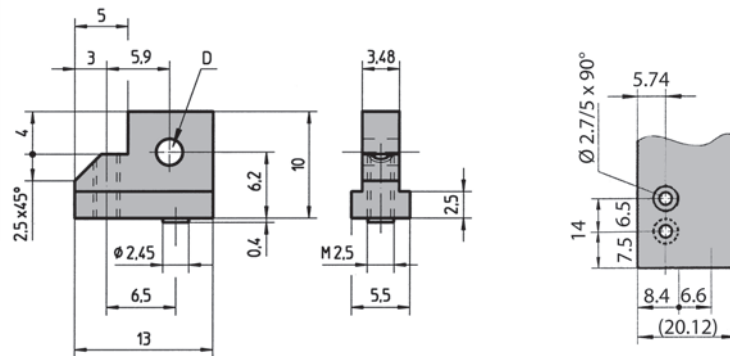
2.5.11.1 Card Holder without Swivel Stop

Description	Application	D	Part-No. 1 pc.	Part-No. 10 pcs.	Part-No. 100 pcs.
Card holder without swivel stop	Without injector/ejector handle	M2.5	61-156	63-366	63-466
Card holder without swivel stop	With injector/ejector handle	Ø 2.5	61-155	63-365	63-465



2.5.11.2 Card Holder with Swivel Stop

Description	Application	D	Part-No. 1 pc.	Part-No. 100 pcs.
Card holder with swivel stop	Without injector/ejector handle	M2.5	61-156-01	61-156-01-2
Card holder with swivel stop	With injector/ejector handle	Ø 2.5	61-155-01	61-155-01-2



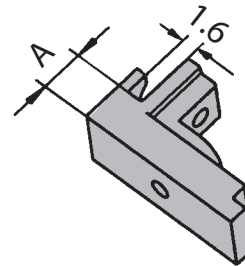
2.5.11.3 Assembly Material

Description	Application	Part-No. 1 pc.	Part-No. 100 pcs.
Cross recessed counter sunk screw M2.5 x 8	For card holder	5322-08	1906-08
Torx countersunk screw M2.5 x 8, size T8	For card holder	5470-21	
Slotted pan head screw M2.5 x 6	For printed board	5571-06	1901-06
Torx cylinder head screw M2.5 x 6, size T8	For printed board	5470-04	

2: Ecokit 11

2.5.12 Middle Part

- Usable for all front panels
- For positioning and fixing of 6 U and 9 U PCB
- Card thickness 1.6 mm
- Self-adhesive, can optionally be screwed onto front panel and printed board
- Material: Plastic black UL94 V-0
- **Scope of delivery:**
 - Plastic middle part
- Assembly material, see below



2.5.12 Middle Part

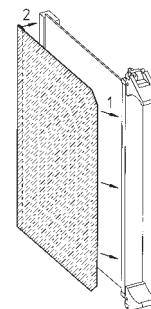
For Front Panels out of	A		Part-No. 10 pcs.	Part-No. 100 pcs.
	mm	inch		
Aluminium 2.5 mm	2.5	0.10	61-960-1	61-960-2
Stainless steel	4.5	0.18	61-963-1	61-963-2

Assembly Material

Description	Part-No. 1 pc.	Part-No. 100 pcs.
PT-countersunk screw, 2.5 x 6	5534-06	5534-06-2

2.5.13 Protective Cover for 6 U Printed Board

1. Slide protective cover between front panel and printed board
2. Press adhesive tape on protective cover through pins of connectors to attach onto printed board



2.5.13 Protective Cover for 6 U Printed Board

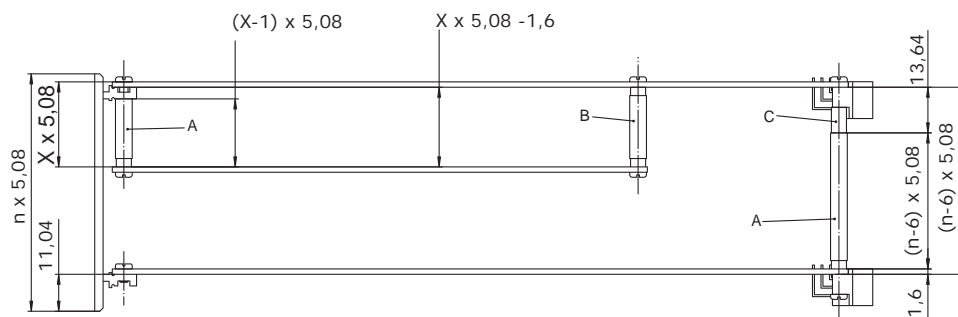
- Material: Polyester film mat, thickness 0.2 mm, UL94 VTM-2
- Mechanical protection of soldering side

For Card Depth		Part-No.
mm	inch	
80	3.15	81-010-01
160	6.30	81-010-02
220	8.66	81-010-03

2: Ecockit 11

2.5.14 Spacers

- Four-sided, nickel-plated brass spacers with M2.5 internal threads at both ends
- Using these spacers, additional PCBs may be mounted at a horizontal pitch of 5.08 mm
- Mounting plate is 1.5 mm galvanized steel with mounting holes corresponding to PCBs conforming to IEC 60297



$n \times 5.08$ = theoretical width of front panel

$x \times 5.08$ = distance of printed PCBs

n = multiple of the 5.08 pitch of the selected front panel

x = selected multiple of the 5.08 pitch for the distance of printed PCBs



2.5.14.1 Spacers Series A

- Use between PCB mounting lugs and PCBs
- Gives 5.08 mm pitch

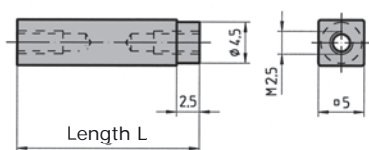
Length L		Part-No. 10 pcs.
mm	inch	
5.08	0.20	63-252
10.16	0.40	63-254
15.24	0.60	63-256
20.32	0.80	63-258
25.40	1.00	63-260
30.48	1.20	63-262
35.56	1.40	63-264
81.28	3.20	63-274

2.5.14.2 Spacers Series B

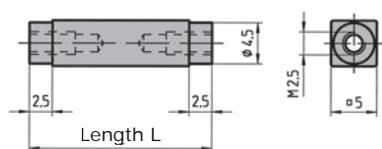
- Use between two PCBs
- Gives 5.08 mm pitch

Length L		Part-No. 10 pcs.
mm	inch	
13.64	0.53	63-275
18.72	0.73	63-277
23.80	0.93	63-279
28.88	1.13	63-281

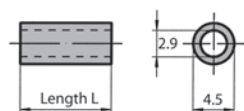
Series A



Series B



Series C



2.5.14.3 Spacers Series C

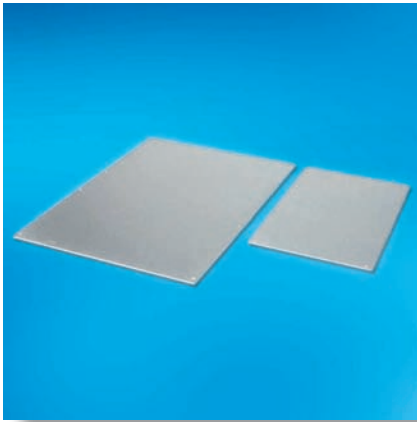
- Use between a PCB with connector and a second PCB

Length L		Part-No. 10 pcs.
mm	inch	
7.64	0.30	63-296

2: Ecokit 11

2.5.15 Mounting Plates

- Dimensions identical to eurocard dimensions
- 1.5 mm galvanized sheet steel
- **Scope of delivery:**
 - 1 mounting plate
- Assembly material, see below



2.5.16 Mounting Plates

Height	Dimensions	Part-No.
3 U	100 x 160 mm (3.93" x 6.29")	61-350
6 U	233.35 x 160 mm (9.18" x 6.29")	61-351

Assembly Material

Description	Part-No. 1 pc.	Part-No. 100 pcs.
Screws recessed M2.5 x 5	5571-05	1901-05
Screws recessed M2.5 x 18	5571-18	1901-09

2.5.16 Hexagonal Spacers M3 Thread

- Galvanized steel
- Ideal for use as supports or spacers
- **Scope of delivery:**
 - 1 spacer

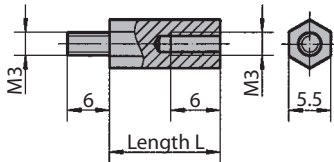


2.5.16 Hexagonal Spacers, M3 Thread

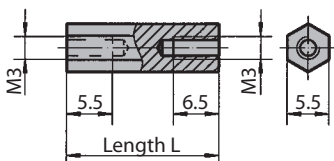
Length L		Part-No. 1 pc.
mm	inch	
10	0.39	1922-01
15	0.59	1922-02
20	0.78	1922-03
25	0.98	1922-04
30	1.18	1922-05
40	1.57	1922-07
50	1.96	1922-09

Length L		Part-No. 1 pc.
mm	inch	
8.5	0.33	1923-01
13.5	0.53	1923-02

1922-0x



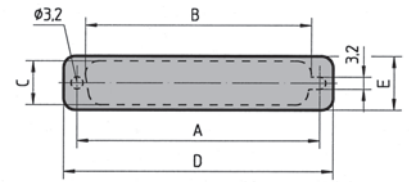
1923-0x



2: Ecockit 11

2.5.17 Covering Caps

- The caps, fit openings for D-Sub connectors and can be fitted without special tools
- Material: ABS grey UL94-HB
- **Scope of delivery:**
 - Plastic covering caps

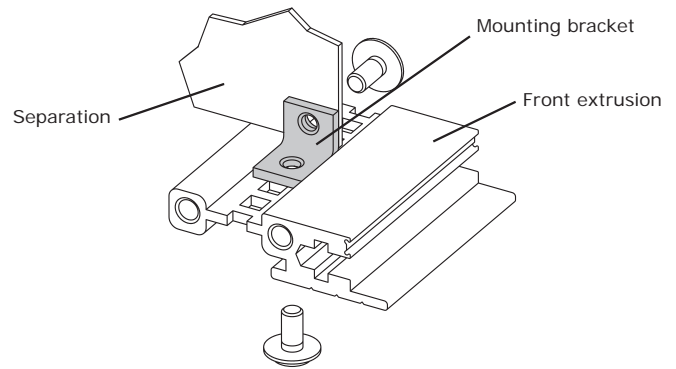


2.5.17 Covering Caps

Opening		A mm	B mm	C mm	D mm	E mm	Part-No. 10 pcs.	Part-No. 100 pcs.
DB9	9-pole	25.0	20.5	11.4	32.0	14.0	63-811	63-858
DB15	15-pole	33.3	28.8	11.4	40.3	14.0	63-812	63-859
DB25	25-pole	47.0	42.5	11.4	54.0	14.0	63-813	63-860
DB37	37-pole	63.5	59.1	11.4	70.5	14.0	63-814	
DB50	50-pole	61.1	56.3	14.1	68.1	16.6	63-815	

2.5.18 Mounting Bracket

- Assembly of a separation
- Separations are manufactured as required by the customer
- Sheet steel
- **Scope of delivery:**
 - 1 mounting bracket
- Assembly material, see below



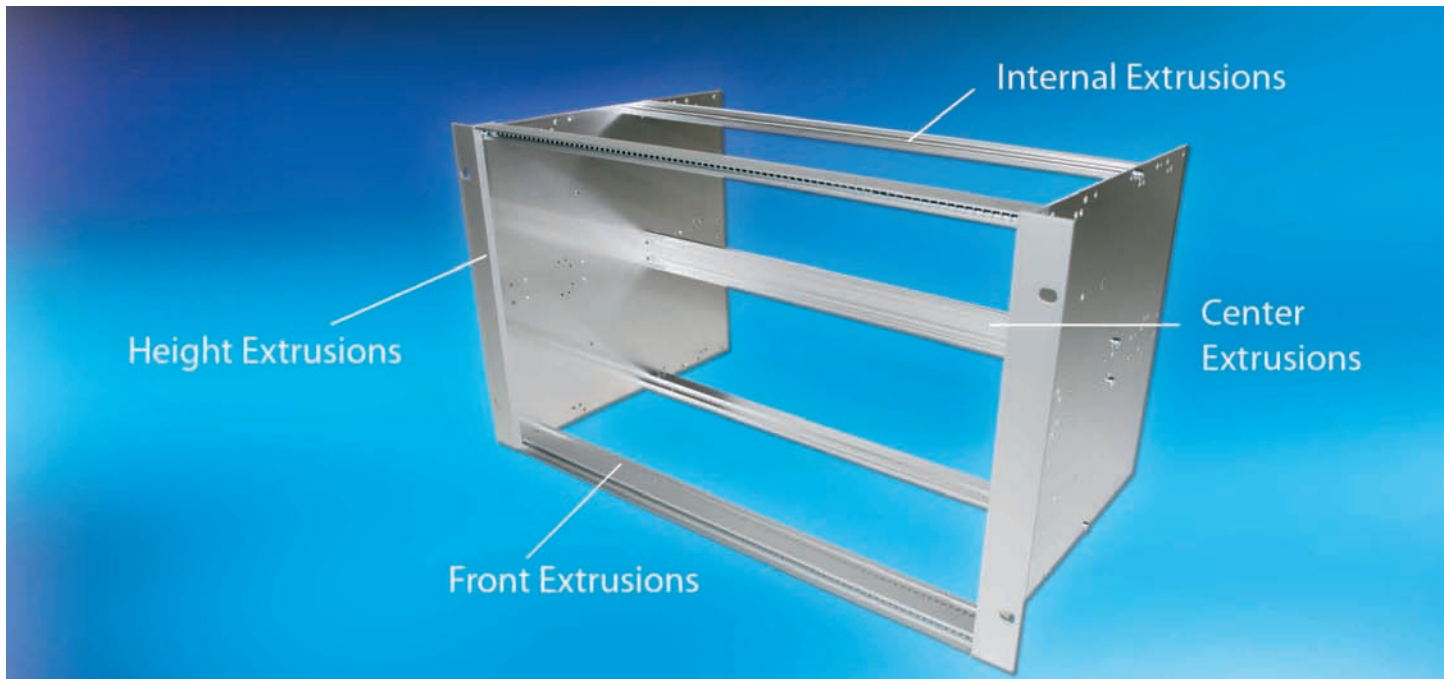
2.5.18 Mounting Bracket

Description	Part-No. 1 pc.	Part-No. 100 pcs.
Mounting brackets	61-416	63-656

Assembly Material

Description	Part-No. 1 pc.	Part-No. 100 pcs.
Round head screws cross recessed M3 x 6	5335-06	1912-16
Round head screws Torx M3 x 6, size T10	5473-01	

A

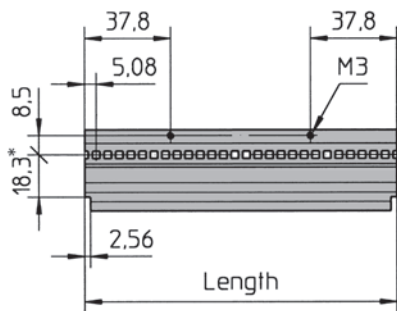


2.6 Extrusions

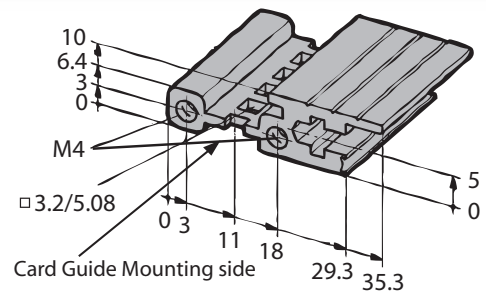
2.6.1 Front Extrusions

2.6.1.1 Front Extrusion 66-111, IEC

- For sub rack and cases front
- Accept 2 x 6 mm tapped strips
- **Scope of delivery:**
 - 1 front extrusion without assembly material



* 14,0 for Systemkit 12K



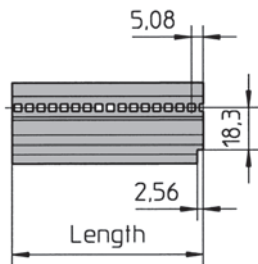
2.6.1.1 Standard Version

Length for HP	mm		Part-No. clear anodised	clear passivated	raw
	mm	inch			
21	111.8	4.40	66-111-26	—	—
28	147.3	5.80	66-111-25		
32	167.6	6.80	66-111-62	66-111-162*	—
42	218.4	8.60	66-111-60	66-111-75	—
42	218.4	8.60		66-111-160*	—
63	325.1	12.80	66-111-61	66-111-76	—
81	416.6	16.40	66-111-22	66-111-77	—
84	431.8	17.00	66-111-23	66-111-78	—
	1350.0	53.15	—	—	66-111-19

* for Systemkit 12K

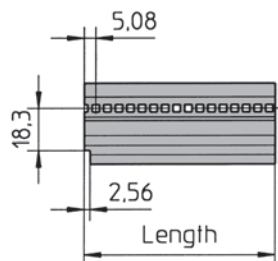
2.6.1.2 Height Divider Right

Length for HP	mm	inch	Part-No. anodised
4.5	22.86	0.90	66-111-70
8.5	43.18	1.70	66-111-71
12.5	63.50	2.50	66-111-72
16.5	83.82	3.30	66-111-73



2.6.1.3 Height Divider Left

Length for HP	mm	inch	Part-No. anodised
4.5	22.86	0.90	66-111-80
8.5	43.18	1.70	66-111-81
12.5	63.50	2.50	66-111-82
16.5	83.82	3.30	66-111-83

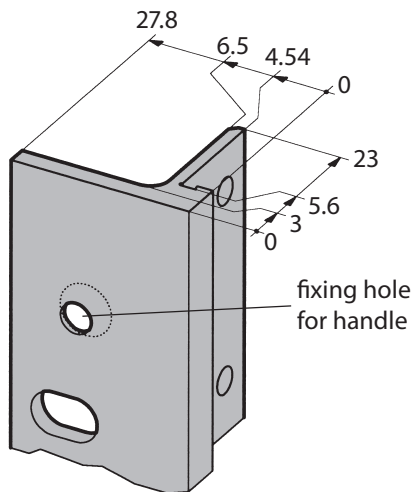


2: Ecockit 11

2.6.2 Height Extrusions

2.6.2.1 Height Extrusion 19" 66-175

- 19" height extrusion type 11
- For standard side panel 2 mm
- **Scope of delivery:**
 - 1 height extrusion without assembly material

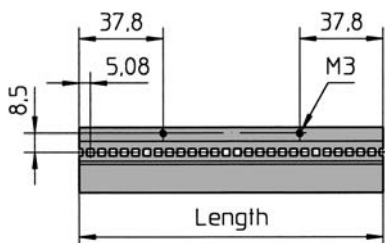
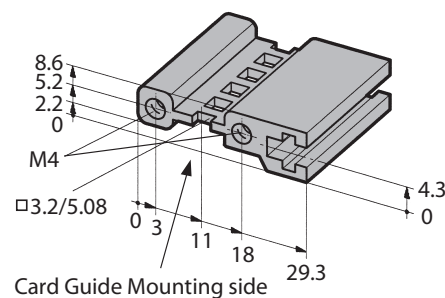


Length for U	mm	inch	Part-No. clear anodised fixing hole for handle	
			without	with
3	132.5	5.20	66-175-23	66-175-33
4	177.0	6.96	66-175-24	66-175-34
6	165.9	10.46	66-175-26	66-175-36
7	310.3	12.20	66-175-27	66-175-37
8	354.8	13.96	66-175-28	66-175-38
9	399.2	15.71	66-175-26	66-175-39
10	443.7	17.47	66-175-40	-
12	532.6	20.96	66-175-32	66-175-42

2.6.3 Internal Extrusions

2.6.3.1 Standard Internal Extrusion 66-144

- Standard extrusion for mounting supplementary edge connector extrusions in sub racks and cases
- Accept 2 x 6 mm tapped strips
- **Scope of delivery:**
 - 1 internal extrusion without assembly material

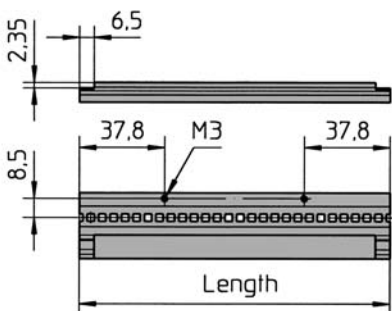
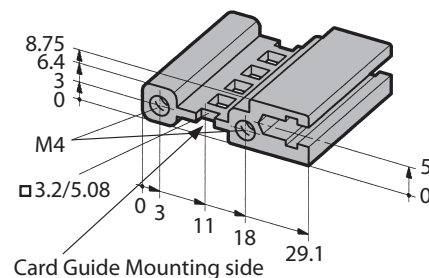


2.6.3.1 Standard Version

Length for HP	mm	inch	Part-No.	
			clear passivated	raw
42	218.4	8.60	66-144-60	-
63	325.1	12.80	66-144-61	-
81	416.6	16.40	66-144-22	-
84	431.8	17.00	66-144-23	-
	1350.0	53.14	-	66-144-19

2.6.3.2 Internal Extrusion 66-193 for use of Insulating Strip

- For mounting backplanes in sub racks
- Insulating strip see 2.6.3.3
- Accept 1.8 x 5 mm tapped strips
- **Scope of delivery:**
 - 1 extrusion without assembly material



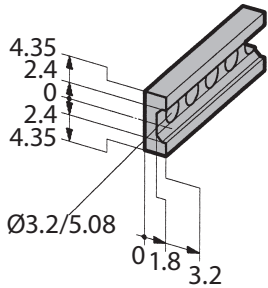
2.6.3.2 Internal Extrusion 66-193 for Use of Insulating Strip

Length for HP	mm	inch	Part-No. clear passivated
81	416.6	16.40	66-193-24
84	431.8	17.00	66-193-25

2: Eokit 11

2.6.3.3 Insulating Strips 66-901

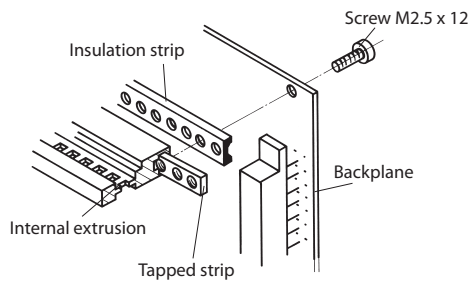
- Plastic grey
- In use with extrusions 66-112, 66-192, 66-193, 66-288
- **Scope of delivery:**
 - 1 insulating strip without assembly material



2.6.3.3 Insulating Strips 66-901

Length for HP	Length		Part-No.
	mm	inch	
42	216.44	8.52	66-901-20
63	323.12	12.72	66-901-21
81	414.56	16.32	66-901-22
84	429.80	16.92	66-901-23

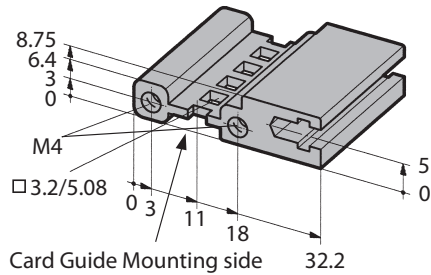
Mounting with Insulation Strips



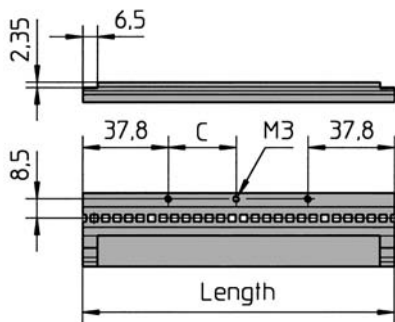
Description	Part-No.	
	1 pcs.	100 pcs.
Cross recessed cylinderhead earthing screw M2.5 x 12	5325-12	1910-07

2.6.3.4 Internal Extrusion 66-194 without use of Insulating Strip

- For mounting backplanes without an insulating strip
- **Scope of delivery:**
 - 1 extrusion without assembly material



Card Guide Mounting side 32.2



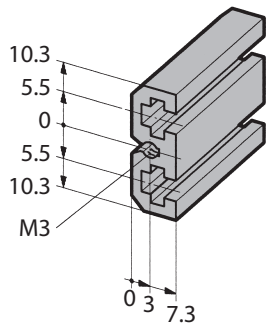
2.6.3.4 Internal Extrusion 66-194 without Use of Insulating Strip

Length for HP	Length		Holes n x C	Part-No. clear passivated
	mm	inch		
81	416.6	16.40	2 x 170.48	66-194-24
84	431.8	17.00	2 x 178.1	66-194-25
84	431.8	17.00	4 X 89.05	66-194-29

2.6.4 Center Extrusions

2.6.4.1 Double Extrusion 66-192 for use of Insulating Strip

- For mounting backplanes, matches 66-193, 66-288
- For use with insulating strips
- Insulating strip see 2.6.3.3
- Accept 2 x 6 mm tapped strips
- **Scope of delivery:**
 - 1 extrusion without assembly material



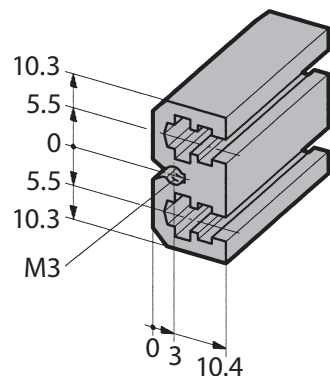
Length for HP	Length		Part-No.	
	mm	inch	clear passivated	raw
84	431.8	17.00	66-192-24	-
	1350.0	53.14	-	66-192-14

Length for HP	mm	inch	Part-No. clear passivated
42	213.4	8.40	66-192-20
63	320.0	12.59	66-192-21
81	411.5	16.20	66-192-22
84	426.7	16.79	66-192-23

Assembly material with adapter: 63-175 (63K175 with Torx)

2.6.4.2 Double Extrusion 66-195 without use of Insulating Strip

- For mounting backplanes without insulating strips
- Matches 66-194, 66-289, 66-290
- Accept 2 x 6 mm tapped strips
- **Scope of delivery:**
 - 1 extrusion without assembly material



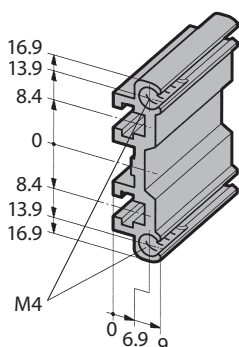
Length for HP	mm	inch	Part-No. clear passivated
84	431.8	17.00	66-195-24

Length for HP	mm	inch	Part-No. clear passivated
81	411.5	16.20	66-195-22
84	426.7	16.77	66-195-23

Assembly material with adapter: 63-175 (63K175 with Torx)

2.6.4.3 Double Extrusion 66-124

- For mounting of supplementary edge connector extrusion
- Matches 66-144
- Accept 2 x 6 mm tapped strips
- **Scope of delivery:**
 - 1 extrusion without assembly material

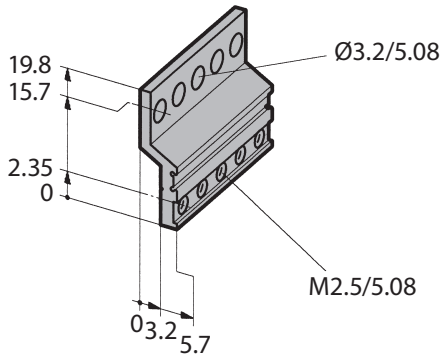
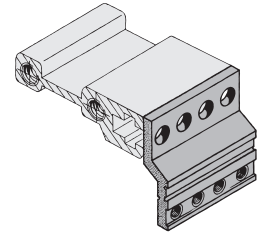


Length for HP	Length		Part-No.	
	mm	inch	clear passivated	raw
42	218.4	8.60	66-124-60	-
63	325.1	12.80	66-124-61	-
81	416.6	16.40	66-124-22	-
84	431.8	17.00	66-124-23	-
	1350.0	53.14	-	66-124-14

2.6.5 Edge Connector Extrusions

2.6.5.1 Edge Connector Extrusion 66-145

- Supplementary edge connector extrusion for IEC 60603-2 connectors
- Matches 66-144, 66-133 and 66-124
- **Scope of delivery:**
 - 1 supplementary edge connector extrusion without assembly material

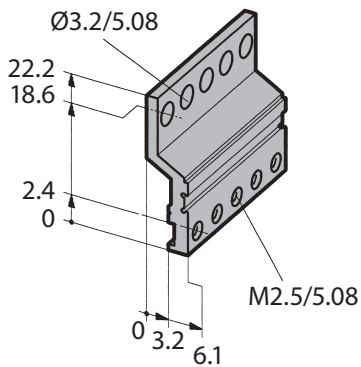
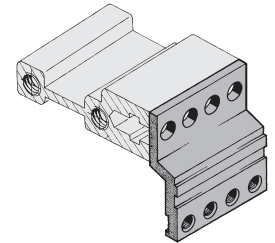


2.6.5.1 Edge Connector Extrusion 66-145

Length for HP	mm	inch	Part-No.	
			clear passivated	raw
8	40.6	1.59	66-145-40	
18	91.4	3.59	66-145-41	
28	142.2	5.60	66-145-42	
42	213.4	8.40	66-145-63	
63	320.0	12.60	66-145-65	
81	411.5	16.20	66-145-22	
84	426.7	16.80	66-145-52	
	1350.0	53.14		66-145-19

2.6.5.2 Edge Connector Extrusion 66-147

- Supplementary edge connector extrusion for IEC 60603-2
- Matches 66-112, 66-192 and 66-193
- **Scope of delivery:**
 - 1 supplementary edge connector extrusion without assembly material



2.6.5.2 Edge Connector Extrusion 66-147

Length for HP	mm	inch	Part-No.	
			clear passivated	raw
8	40.6	1.59	66-147-40	
18	91.4	3.59	66-147-41	
28	142.2	5.60	66-147-42	
42	213.4	8.40	66-147-63	
63	320.0	12.60	66-147-65	
81	411.5	16.20	66-147-22	
84	426.7	16.80	66-147-52	
	1350.0	53.14		66-147-19