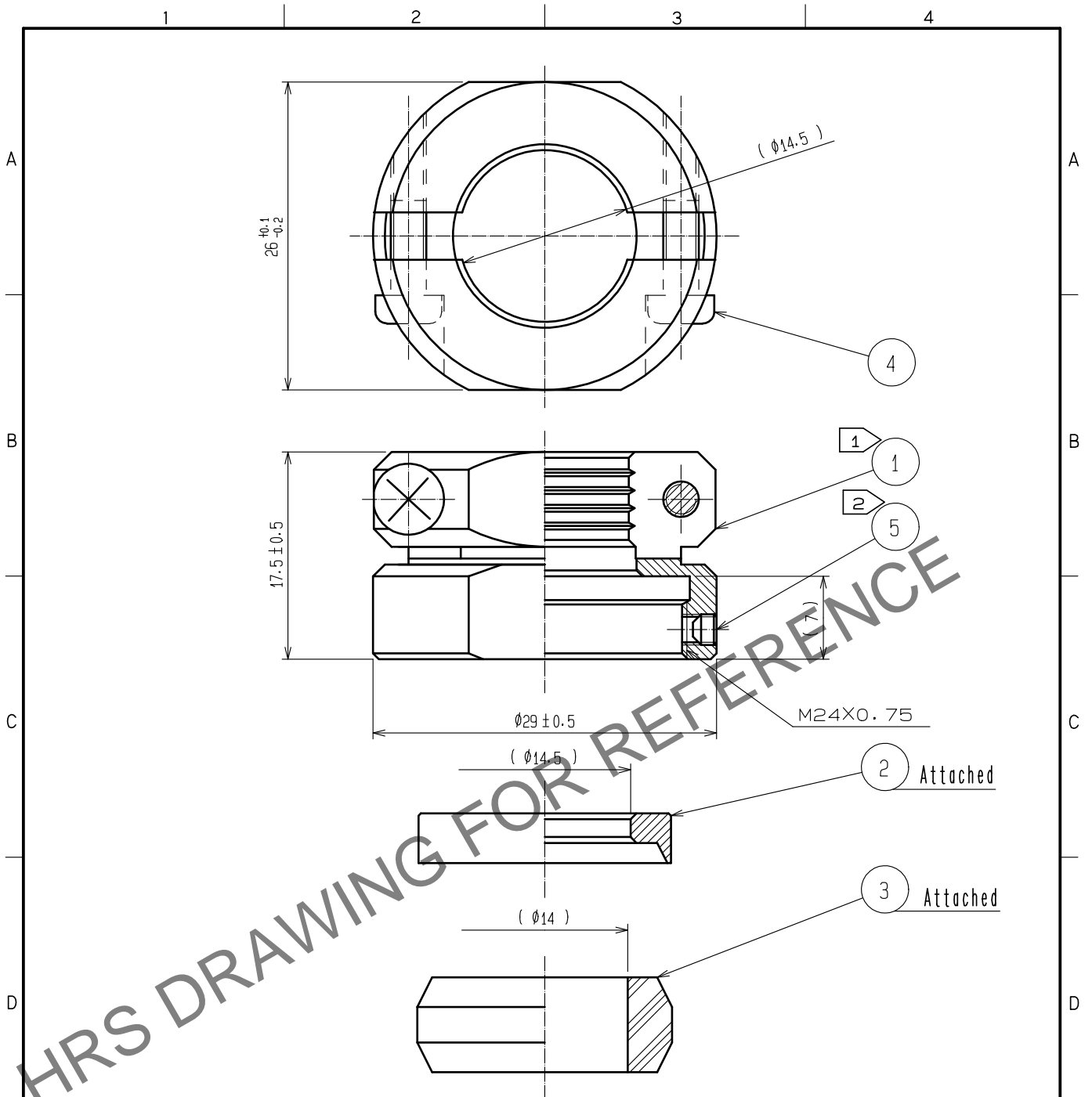


Jul.1.2024 Copyright 2024 HIROSE ELECTRIC CO., LTD. All Rights Reserved.  
 In case of consideration for using Automotive equipment / device which demand high reliability, kindly contact our sales window correspondents.



- Notes
- ① The recommended tightening torque of ref.No. ① shall be 2 to 3N · m. LOCTITE 263, HENKEL JAPAN or equevalent is recommended to prevent ref. No. ① from loosening.
  - ② Across flats of hexagon hole of ref. No. ⑤ to be 1.27. The recommended tightening torque of ref.No. ⑤ shall be 0.3 to 0.4N · m.
  - ③ The cable pull and twisting strength (, waterproof tightness) and other characteristics may differ, depending on the cable structure, please confirm before the use.

3	Chloroprene rubber	(Black)					
2	Brass	Nickel plating	5	Stainless steel	JIS B 1177 Hexagon socket set screw M2.6X0.45X2		
1	Brass	Nickel plating	4	Brass	Nickel plating JIS B 1111 Pan head machine screw M3X0.5X8		
NO.	MATERIAL	FINISH	REMARKS	NO.	MATERIAL	FINISH	REMARKS

UNITS mm		SCALE 2 : 1	COUNT 1	DESCRIPTION OF REVISIONS DIS-C-00007459	DESIGNED TY. SUZUKI	CHECKED HY. KOBAYASHI	DATE 20211208
-------------	--	----------------	------------	--	------------------------	--------------------------	------------------

HIROSE ELECTRIC CO., LTD.	APPROVED	·HY. KOBAYASHI	20180222	DRAWING NO.	EDC-112372-31-00
	CHECKED	·HY. KOBAYASHI	20180222	PART NO.	RM24WTP-CP14(31)
	DESIGNED	·HY. KISHI	20180222	CODE NO.	CL0109-1851-9-31
	DRAWN	·MK. INOUE	20180208		