

**HSF** RoHS

**SPECIFICATIONS**

Rated(额定参数): 300V,15A  
 Dielectric strength(抗电强度): AC2000V/1 Minute  
 Insulation Resistance(绝缘电阻):1000MΩ Min  
 Contact Resistance(接触电阻):20mΩ Max  
 Screw Torque(扭矩): 0.4Nm (3.5Lb.in)  
 Wire Range(线径):28~12AWG  
 Strip length(剥线长度):7~8mm  
 Temp. range(操作温度): -40℃~+105℃  
 MAX Soldering(瞬时温度):+250℃,5s

Housing Material(塑件): PA66 (UL94 V-0)  
 Contact(端子): Phosphor Bronze, Tin plating(磷铜镀镍)  
 Screw (螺丝): M2.5 Steel, Zinc plating(钢,镀锌)

PITCH RANGE IN MM			NOMINAL DIMENSION RANGE IN MM				
T0	OVER 6	OVER 10	T0	OVER 30	OVER 60	OVER 100	OVER 150
6	TO 10	TO 24	TO 30	TO 60	TO 100	TO 150	
±0.10	±0.15	±0.25	±0.30	±0.30	±0.50	±0.70	±1.00

**Ordering Information**

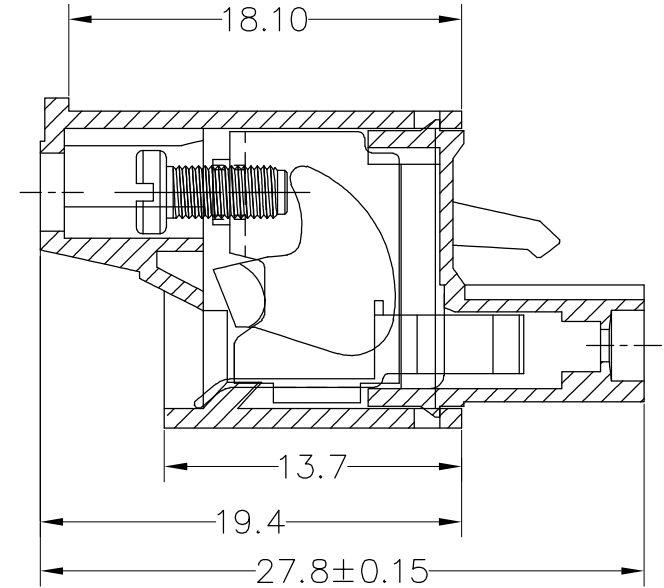
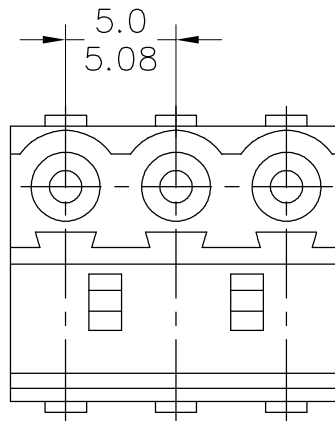
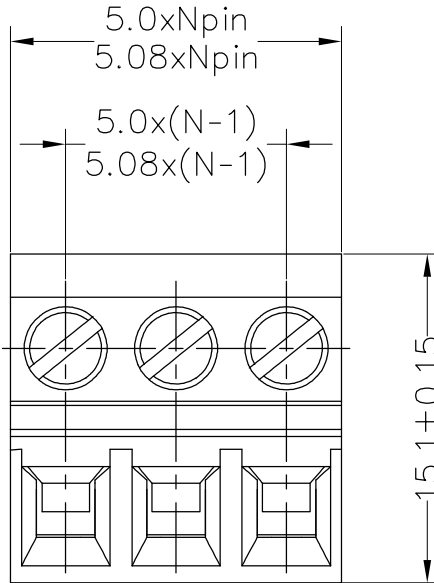
**JL 2EDGKC - XXX XX G X 1**

Pitch  
500=5.00PH  
508=5.08PH

No.of pins  
2P~24P

Housing Color  
B=Black  
G=Green  
U=Blue  
R=Red  
W=White  
Y=Yellow  
O=Orange  
E=Grey

Packing  
O=Pe bag  
A=Tray  
T=Tube



**OPERATION**

X.X	±0.30
X.XX	±0.20
X.XXX	±0.10
Angle	±3°
DIM	TOL

DRAW  
CHECK  
APPROVE

BEN

17.01.05

SCALE	FIT
UNIT	mm
SIZE	A4
SHEET	1/1
PROJ.	

**JILN**® 深圳市锦凌电子有限公司  
 SHENZHEN JINLING ELECTRONIC CO.,LTD  
 Tel: 86-755-2997-5806/5802 Fax: 86-755-2997-5992

PART NO.

JL2EDGKC-XXXXXGX1

TITLE:

5.00/5.08 Pitch Female  
Pluggable Terminal Blocks

A0	2017.01.05	NEW DRAWING	
REV	DATE	MODIFICATION DESCRIPTION	CHANGE

1 2 3 4 5 6 7 8 9