

1241376-1 ✓ ACTIVE

[AMP MCP](#) | [AMP MCP 1.5K](#)

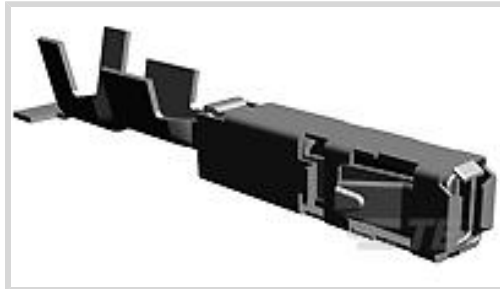
TE Internal #: 1241376-1

Receptacle, Mating Tab Width 1.5 mm [.059 in], Tab Thickness .6 mm [.024 in], 20 – 17 AWG Wire Size, AMP MCP 1.5K, Automotive Terminals

[View on TE.com >](#)



Terminals & Splices > Automotive Terminals > AMP MCP, RECEPTACLE AND TAB



Terminal Type: **Receptacle**

Mating Tab Width: **1.5 mm [.059 in]**

Mating Tab Thickness: **.6 mm [.024 in]**

Terminal Transmits: **0 – 24 A (Low Power)**

Wire Size: **20 – 17 AWG**

[All AMP MCP, RECEPTACLE AND TAB \(110\)](#)

## Features

### Product Type Features

Receptacle Style	180°
Sealable	No
Primary Locking Feature	Locking Lance

### Contact Features

Contact Size	1.5K
Contact Fabrication	Stamped & Formed
Wire Contact Termination Area Plating Material	Tin
Typical Current Rating	12 A
Crimp Type	F-Crimp
Terminal Type	Receptacle
Mating Tab Width	1.5 mm [.059 in]
Mating Tab Thickness	.6 mm [.024 in]
Interface Plating	Tin (Sn)

### Termination Features

Termination Method to Wire & Cable	Crimp
Product Terminates To	Wire

### Dimensions



Wire Size	.5 – 1 mm <sup>2</sup>
Wire Size Search	17 AWG, 18 AWG, 19 AWG, 20 AWG

### Usage Conditions

Insulation Option	Uninsulated
Operating Temperature (Max)	80 °C, 85 °C, 90 °C, 100 °C, 105 °C, 110 °C, 120 °C, 125 °C, 130 °C[176 °F][185 °F][194 °F][212 °F][221 °F][230 °F][248 °F][257 °F][266 °F]
Operating Temperature Range	-40 – 130 °C[-40 – 266 °F]

### Operation/Application

Conforms to KOMAX Automatic Component Insertion Guideline	Yes, per Version 5.0 (March 2018)
Compatible With Wire Base Material	Copper

### Industry Standards

Compatible With Agency/Standards Products	LV214
-------------------------------------------	-------

### Packaging Features

Packaging Quantity	6000
Packaging Method	Reel

### Other

Terminal Transmits	0 – 24 A (Low Power)
--------------------	----------------------

## Product Compliance

[For compliance documentation, visit the product page on TE.com>](#)

EU RoHS Directive 2011/65/EU	Compliant
EU ELV Directive 2000/53/EC	Compliant
China RoHS 2 Directive MIIT Order No 32, 2016	No Restricted Materials Above Threshold
EU REACH Regulation (EC) No. 1907/2006	Current ECHA Candidate List: JUNE 2024 (241) Candidate List Declared Against: JUNE 2024 (241) Does not contain REACH SVHC
Halogen Content	Low Halogen - Br, Cl, F, I < 900 ppm per homogenous material. Also BFR/CFR/PVC Free
Solder Process Capability	Not applicable for solder process capability

This information is provided based on reasonable inquiry of our suppliers and represents our current actual knowledge based on the information they provided. This information is subject to change. The part numbers that TE has identified as EU RoHS compliant have a maximum concentration of 0.1% by weight in homogenous materials for lead, hexavalent chromium, mercury, PBB, PBDE, DBP, BBP, DEHP, DIBP, and 0.01% for cadmium, or qualify for an exemption to these limits as defined in the Annexes of Directive 2011/65/EU (RoHS2). Finished electrical and electronic equipment products will be CE marked as required by Directive 2011/65/EU. Components may not be CE marked. Additionally, the part numbers that TE has identified as EU ELV compliant have a maximum concentration of 0.1% by weight in homogenous materials for lead, hexavalent chromium, and mercury, and 0.01% for cadmium, or qualify for an exemption to these limits as defined in the Annexes of Directive 2000/53/EC (ELV). Regarding the REACH Regulation, the information TE provides on SVHC in articles for this part number is based on the latest European Chemicals Agency (ECHA) 'Guidance on requirements for substances in articles' posted at this URL: <https://echa.europa.eu/guidance-documents/guidance-on-reach>

## Compatible Parts



TE Part # CAT-AM705-CH8173  
AMP Unsealed Connector Housing



TE Part # 1-1579007-1  
EXTRACTION TOOL



TE Part # 2063524-1  
SDE MCP1.5 0.2-1.0mm2 ASSY



TE Part # 2063524-2  
SDE MCP1.5 0.2-1.0mm2 DIE SET



TE Part # 2151581-1  
OCEAN-2.0-APPLICATOR-S-070F090OV-RSM



TE Part # 2151581-2  
OCEAN-2.0-APPLICATOR-S-070F090OV-RSA



TE Part # 2305570-1  
Strip Terminal Cutter-Side Feed-No Crimp



TE Part # 7-2151581-7  
OCEAN\_2.0\_SPARE\_PART\_KIT-070F090OV



TE Part # 2385319-1  
EXTRACTION TOOL



TE Part # 2385319-2  
EXTRACTION TOOL



TE Part # 2385319-3  
EXTRACTION TOOL

Also in the Series | **AMP MCP 1.5K**



Automotive Connector Caps & Covers (3)



Automotive Housings(80)



Automotive Terminals(22)

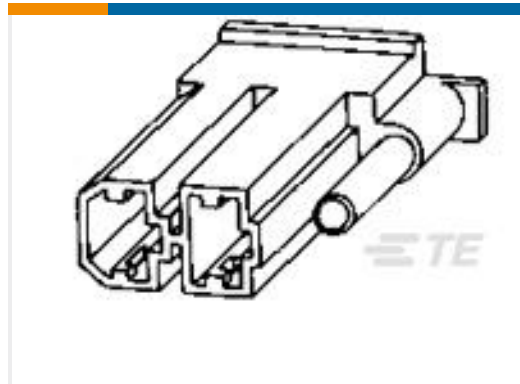


Insertion & Extraction Tools(1)

## Customers Also Bought



TE Part #1-1564546-1  
Heavy Duty Sealed Connector Series Housings



TE Part #171447-3  
FF 375 PLUG HSG 2P NYLON BROWN



TE Part #776537-3  
AS16,CAP ASSY,ST,06P,E SEAL,CODE C



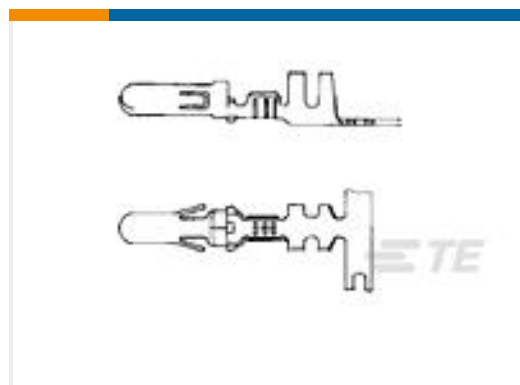
TE Part #1-1241418-3  
AMP MCP 6.3/4.8K, CONTACT, SWS C



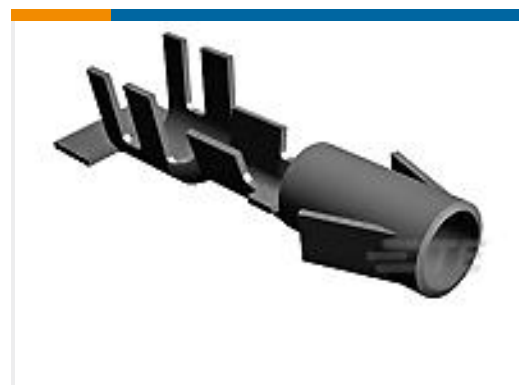
TE Part #1924968-2  
Contact, male 0.64, 18 AWG



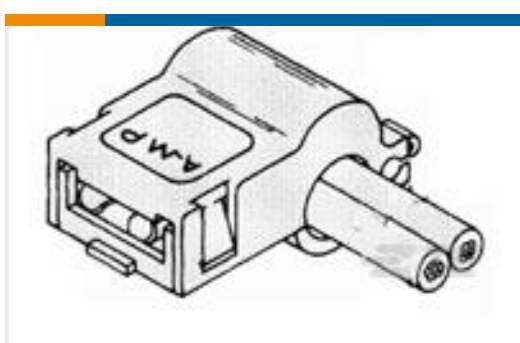
TE Part #776932-4  
52 pos plug, 0.64 and 2.80mm



TE Part #927858-2  
KONTAKTSTIFT 3,5 MM



TE Part #927843-2  
.140 SOCKET



TE Part #1-480487-2  
FASTON 187 FLAG HSG NYLON NAT LP

## Documents

### Product Drawings

[AMP MCP 1.5K, CONTACT](#)

English

### CAD Files

[3D PDF](#)

[3D](#)

[Customer View Model](#)

[ENG\\_CVM\\_CVM\\_1241376-1\\_B\\_c-1241376-1-b.2d\\_dxf.zip](#)



English

**Customer View Model**

[ENG\\_CVM\\_CVM\\_1241376-1\\_B\\_c-1241376-1-b.3d\\_igs.zip](#)

English

**Customer View Model**

[ENG\\_CVM\\_CVM\\_1241376-1\\_B\\_c-1241376-1-b.3d\\_stp.zip](#)

English

By downloading the CAD file I accept and agree to the [Terms and Conditions](#) of use.

**Product Specifications**

[Application Specification](#)

German

[Application Specification](#)

English