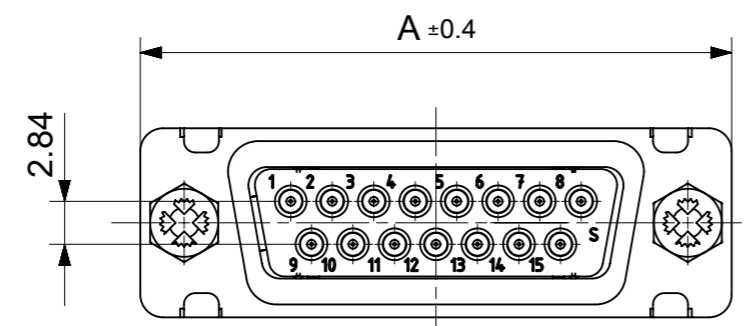
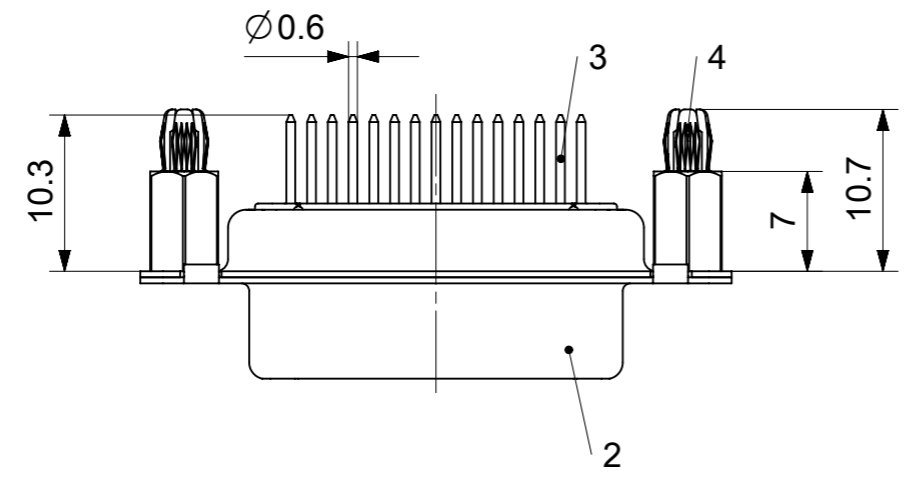
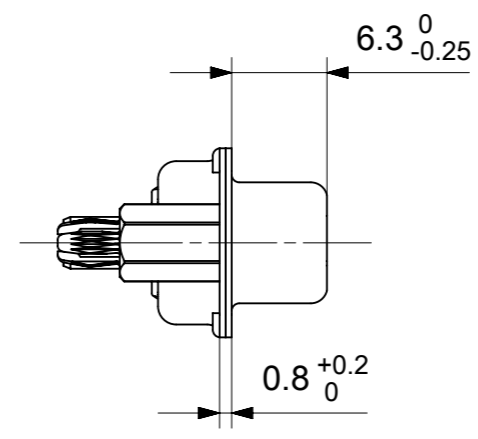
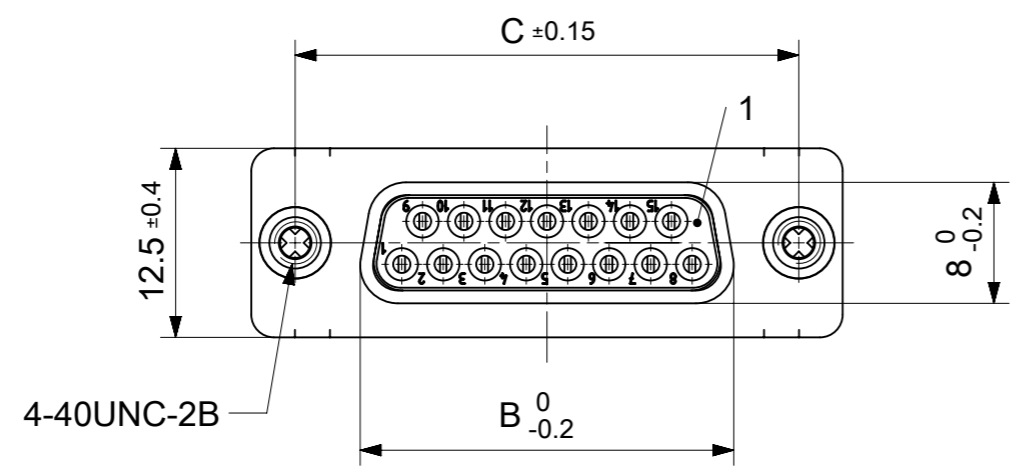


RoHS compliant  
by exemption



FCT Part number:

Fxx\*1)S1y\*2)-1210

e.g. F15S1G1-1210

\*1) xx No. of contacts 09, 15, 25 or 37

\*2) y for performance classes 1, 2 or 3

(contact cycle for G1/G2/G3 = 500/200/50)

Material Number	xx*1)	y*2)	A[mm]	B[mm]	C[mm]	*E[mm]	*F[mm]
1731092014	09	G2	30.8	16.4	25	Ø1	Ø3
1731091338	15	G2	39.1	24.7	33.3		
1731091452	25	G1	53	38.5	47.04		
1731091541	37	G1	69.3	54.9	63.5		

\*PCB hole patterns ØE, ØF see document 2195600023

No.	Pc.	Part	Type Description/Material	Surface plating/Color/Class
4	2	Snap-in bolt	PCB 2.4mm / Brass	tin plated
3	xx	Signal contact	S1 / Brass	G1 / G2
2	1	Shell	Steel	tin plated
1	1	Insulator	PBT (-55°C to +125°C) acc. UL94V-0	white

MEASUREMENTS WITHOUT TOLERANCE ACC TO ISO 2768-m

REPLACEMENT FOR DOCUMENT NUMBER: FxxS1Gy-1210

FUNCTIONAL SYMBOLS: THIS DRAWING CONTAINS INFORMATION THAT IS PROPRIETARY TO MOLEX ELECTRONIC TECHNOLOGIES, LLC AND SHOULD NOT BE USED WITHOUT WRITTEN PERMISSION

SCALE: 2:1

GENERAL TOLERANCES (UNLESS SPECIFIED):

ANGULAR TOL ± °

4 PLACES ±

3 PLACES ±

2 PLACES ±

1 PLACE ±

0 PLACES ±

DIVISIONAL SYMBOLS:

DRAFT WHERE APPLICABLE MUST REMAIN WITHIN DIMENSIONS

FIRST ANGLE PROJECTION

DRAWING: A3-SIZE

SERIES: 173109

MATERIAL NUMBER: SEE TABLE

CUSTOMER: GENERAL MARKET

SHEET NUMBER: 1 OF 1

EC NO: 707726

DRWN: SKANDB 2021/12/03

CHK'D: MTEUBEL 2022/05/25

APPR: MTEUBEL 2022/05/25

INITIAL REVISION:

DRWN: SKANDB 2021/12/03

APPR: MTEUBEL 2022/05/25

DOCUMENT NUMBER: 1731092014

DOC TYPE: PSD

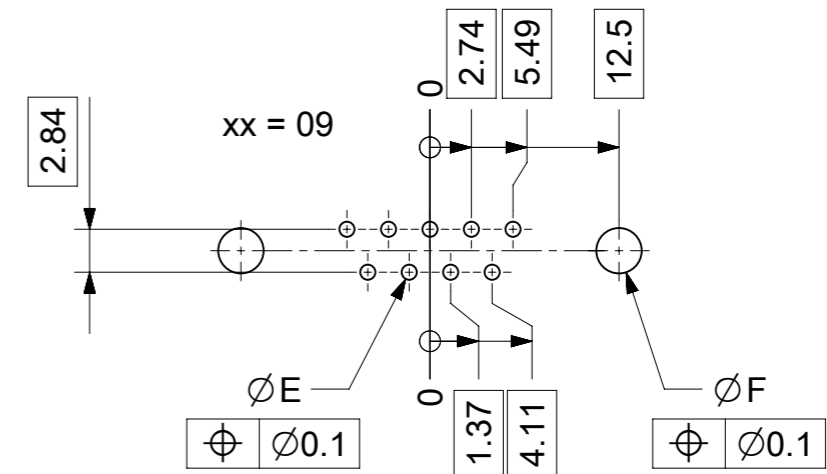
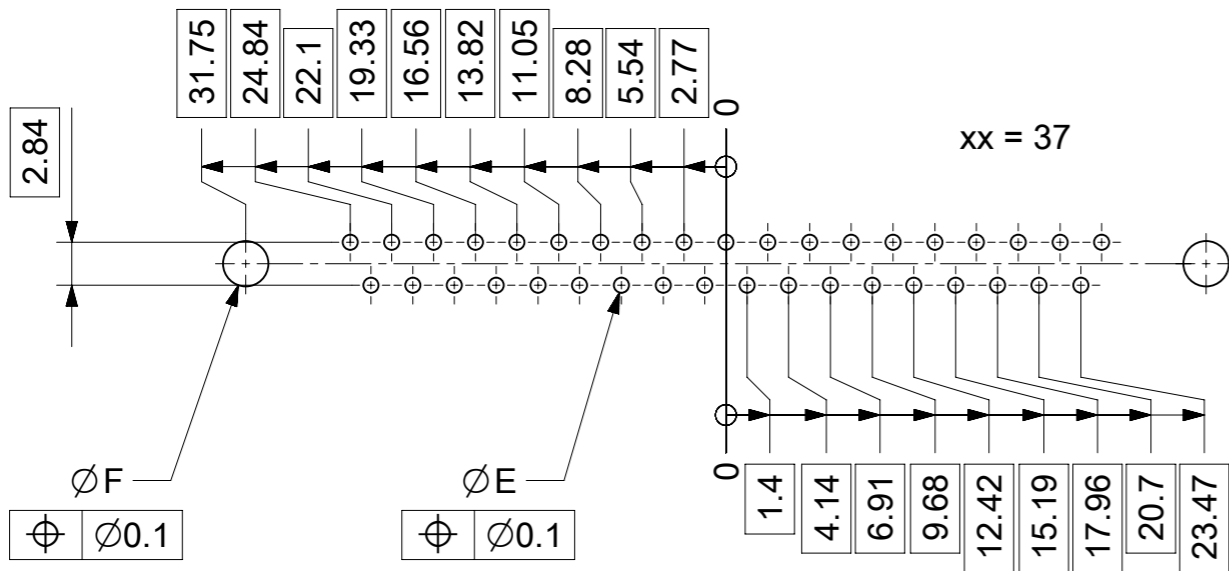
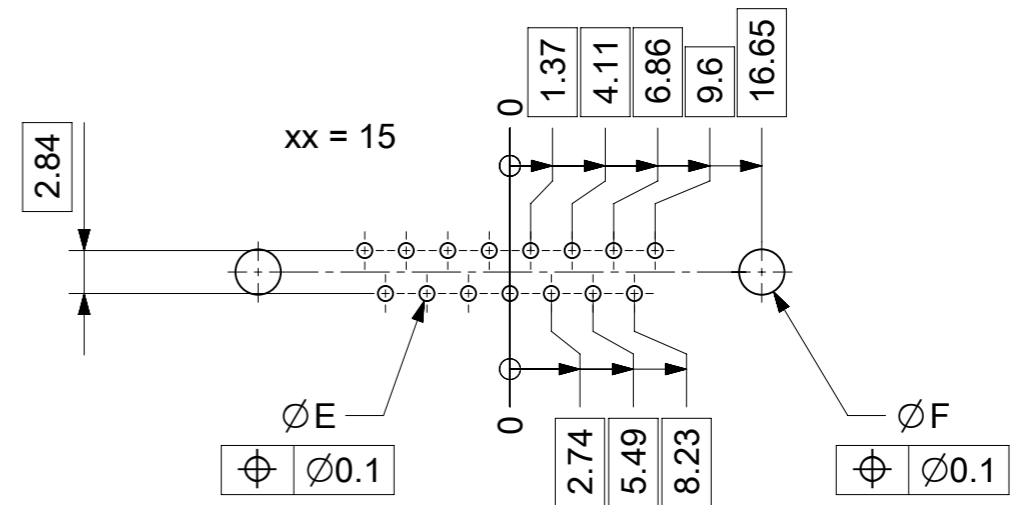
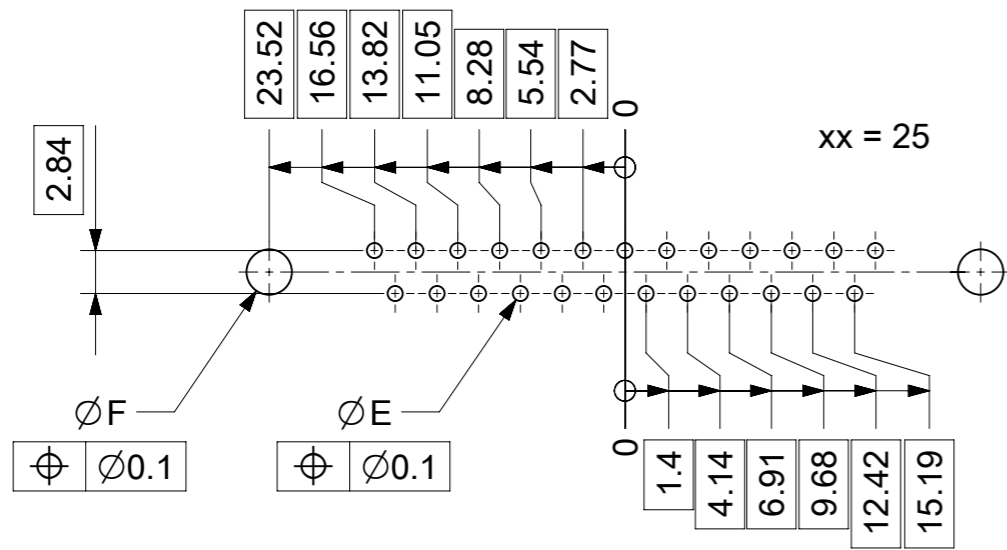
DOC PART: 000

REVISION: A

**molex**

FCT D-SUB MINIATURE CONNECTOR

PRODUCT CUSTOMER DRAWING



ØE, ØF see data sheet incl. connector  
 ØF connectors with accessories only

MEASUREMENTS WITHOUT TOLERANCE ACC TO ISO 2768-m			REPLACEMENT FOR DOCUMENT NUMBER: AM0023				
THIS DRAWING CONTAINS INFORMATION THAT IS PROPRIETARY TO MOLEX ELECTRONIC TECHNOLOGIES, LLC AND SHOULD NOT BE USED WITHOUT WRITTEN PERMISSION							
FUNCTIONAL SYMBOLS	DIMENSION UNITS	SCALE	CURRENT REV DESC:				
$\nabla_A = 0$	mm	2:1	<b>molex</b> FCT PCB HOLE PATTERN STRAIGHT CONTACT NO. OF CONTACTS 09-37 PRODUCT CUSTOMER DRAWING				
$\nabla_F = 0$	GENERAL TOLERANCES (UNLESS SPECIFIED)					EC NO: 713905	2022/05/16
$\nabla_P = 0$	ANGULAR TOL ± °					DRWN: SKANDB	2022/07/12
DIVISIONAL SYMBOLS	4 PLACES ±					CHK'D: MTEUBEL	2022/07/12
	3 PLACES ±		APPR: MTEUBEL	2022/07/12	DOCUMENT NUMBER		
	2 PLACES ±		INITIAL REVISION:		2195600023		
	1 PLACE ±		DRWN: SKANDB	2022/05/16	DOC TYPE		
	0 PLACES ±		APPR: MTEUBEL	2022/07/12	DOC PART		
DRAFT WHERE APPLICABLE MUST REMAIN WITHIN DIMENSIONS		FIRST ANGLE PROJECTION	DRAWING	SERIES	MATERIAL NUMBER		
			A3-SIZE	219560	219560		
					CUSTOMER		
					GENERAL MARKET		
					SHEET NUMBER		
					1 OF 1		