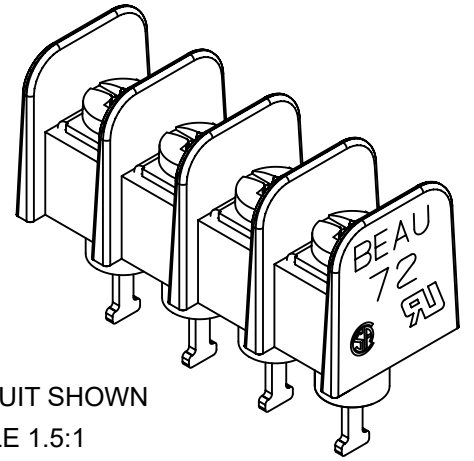
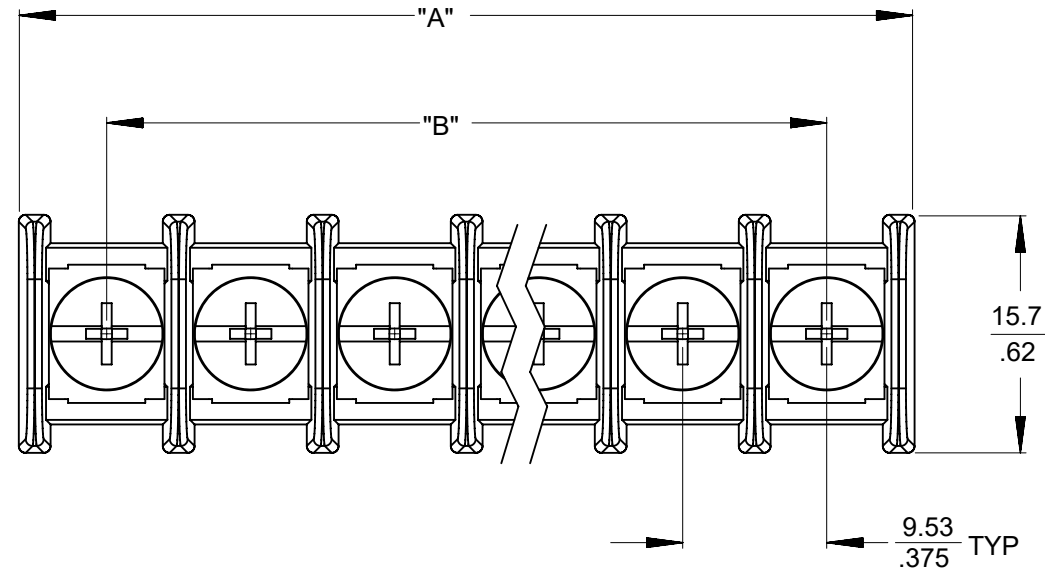
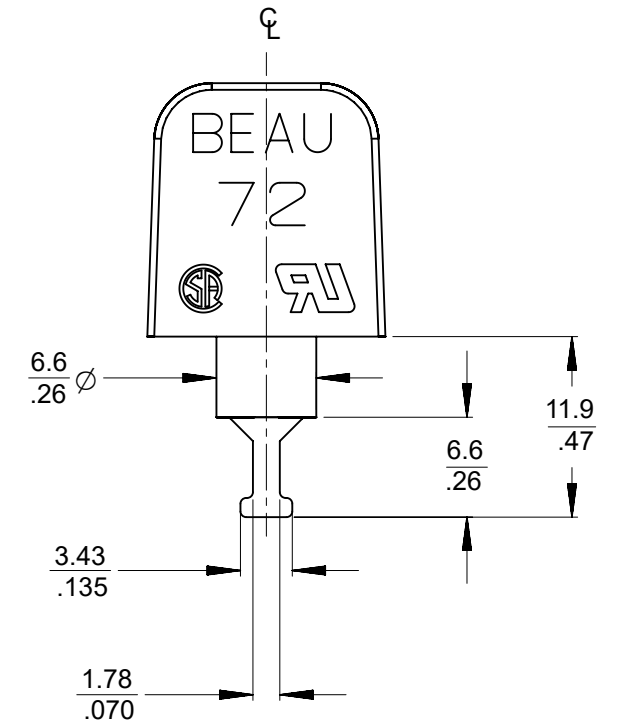
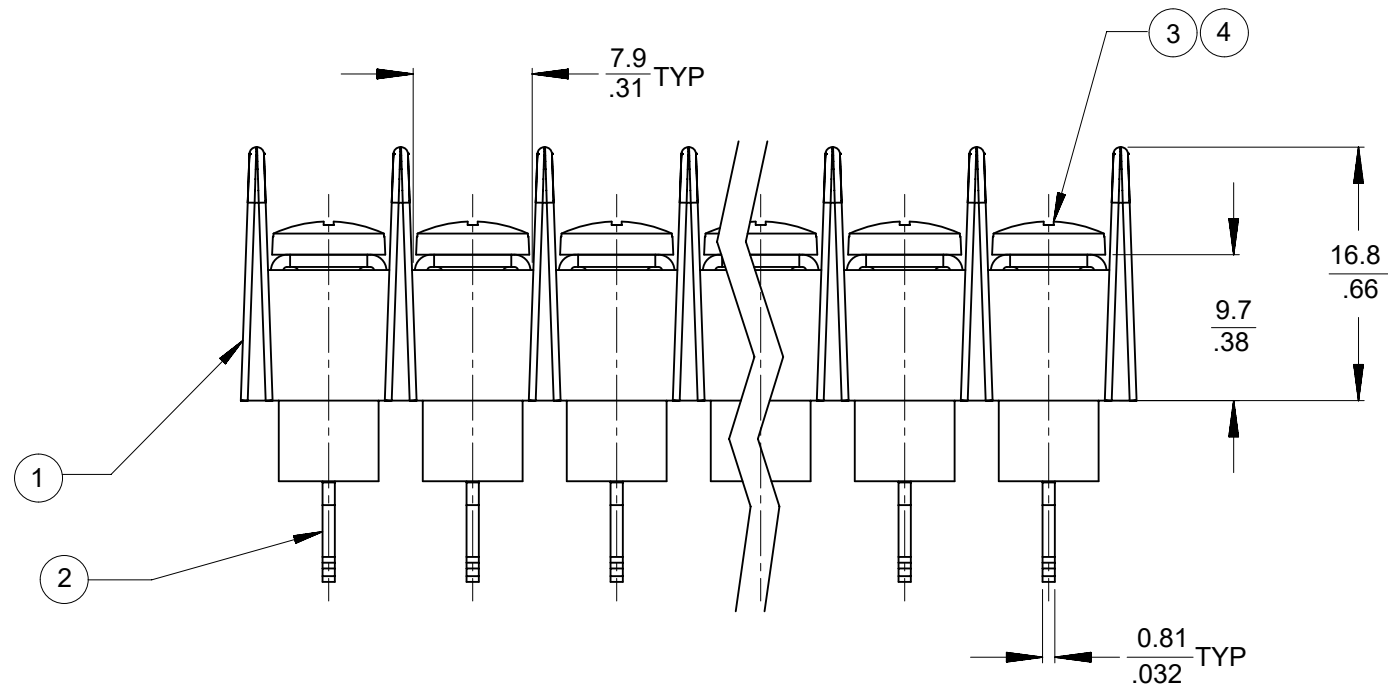


REF. -50 OPT. SCREW  
(WHERE APPLICABLE)



4 CIRCUIT SHOWN  
SCALE 1.5:1



NOTES:

1. MATERIAL: SEE TABLE.
2. FINISHES: SEE TABLE.
3. PRODUCT SPECIFICATION: NOT REQUIRED.
4. ROHS COMPLIANT.

5	XX	SCREW/WASHER, #6-32X.250 PAN PH/SL (-50 OPT)	STEEL	ZN, CLEAR CHROMATE
4	XX	SCREW, #6-32X.250 BHD PH/SL (-49 OPT)	BRASS	NICKEL PLATE
3	XX	SCREW, #6-32X.250 BHD PH/SL (STANDARD)	STEEL	ZN, CLEAR CHROMATE
2	XX	TERMINAL, TURRETTERMINAL, TURRET	BRASS	TIN PLATE
1	1	SR BTS INSULATOR	POLYESTER (PBT)	BLACK
ITEM	QTY.	DESCRIPTION	MATERIAL	FINISH

THIS DRAWING CONTAINS INFORMATION THAT IS PROPRIETARY TO MOLEX ELECTRONIC TECHNOLOGIES, LLC AND SHOULD NOT BE USED WITHOUT WRITTEN PERMISSION															
FUNCTIONAL SYMBOLS	DIMENSION UNITS	SCALE	CURRENT REV DESC: REMOVED OBSOLETE PART NUMBERS AS PER PCN#515181												
$\frac{F}{A} = 0$	MM/IN	2:1	<p>EC NO: 793824 DRWN: MADHAM5 CHK'D: GGA APPR: GGA</p> <p>INITIAL REVISION: DRWN: J. ENCINAS APPR: JMACNEIL</p>												
$\frac{E}{E} = 0$	GENERAL TOLERANCES (UNLESS SPECIFIED)														
$\frac{E}{E} = 0$	MM	INCH													
DIVISIONAL SYMBOLS	4 PLACES	±								±	3 PLACES	±	± 0.005	2 PLACES	± 0.13
ANGULAR TOL ± 2.0°			THIRD ANGLE PROJECTION			DRAWING	SERIES	MATERIAL NUMBER	CUSTOMER	SHEET NUMBER					
DRAFT WHERE APPLICABLE MUST REMAIN WITHIN DIMENSIONS						B-SIZE	38720	SEE TABLE	GENERAL MARKET	1 OF 2					

**molex**

9.53MM [.375"] SR BTS ASSY, INSULATED TURRET TERM. NO MTG. ENDS

PRODUCT CUSTOMER DRAWING

DOCUMENT NUMBER: SD-38720-012  
DOC TYPE: PSD  
DOC PART: 001  
REVISION: A1

F

F

E

E

D

D

C

C

B

B

A

A

# OF CIRCUITS "XX"	DIM. "A"		DIM. "B"		ASSEMBLY MATERIAL NO. (STD OPT)	ASSEMBLY MATERIAL NO. (-49 OPT)	ASSEMBLY MATERIAL NO. (-50 OPT)
	mm	in	mm	in			
2	21.1	0.83	9.53	0.375	387203302	---	---
3	30.6	1.21	19.05	0.75	387203303	387203603	---
4	40.1	1.58	28.58	1.125	387203304	---	---
5	49.7	1.96	38.1	1.5	---	387203605	---
6	59.2	2.33	47.63	1.875	387203306	387203606	---
7	68.7	2.71	57.15	2.25	387203307	387203607	---
8	78.2	3.08	66.68	2.625	---	387203608	387203908
9	87.8	3.46	76.2	3	---	---	387203909
10	97.3	3.83	85.73	3.375	---	387203610	387203910
11	106.8	4.21	95.25	3.75	387203311	387203611	387203911
12	116.3	4.58	104.78	4.125	---	387203612	387203912
13	125.9	4.96	114.3	4.5	387203313	387203613	387203913
14	135.4	5.33	123.83	4.875	387203314	387203614	387203914
15	144.9	5.71	133.35	5.25	---	387203615	---
16	154.4	6.08	142.88	5.625	387203316	387203616	---
17	164	6.46	152.4	6	387203317	387203617	387203917
19	183	7.21	171.45	6.75	387203319	387203619	387203919
20	192.5	7.58	180.98	7.125	---	387203620	---
21	202.1	7.96	190.5	7.5	387203321	387203621	387203921
22	211.6	8.33	200.03	7.875	387203322	387203622	387203922
23	221.1	8.71	209.55	8.25	387203323	387203623	387203923
24	230.6	9.08	219.08	8.625	387203324	387203624	387203924
25	240.2	9.46	228.6	9	---	387203625	387203925
26	249.7	9.83	238.13	9.375	387203326	387203626	387203926

FUNCTIONAL SYMBOLS	THIS DRAWING CONTAINS INFORMATION THAT IS PROPRIETARY TO MOLEX ELECTRONIC TECHNOLOGIES, LLC AND SHOULD NOT BE USED WITHOUT WRITTEN PERMISSION		
	DIMENSION UNITS	SCALE	CURRENT REV DESC: REMOVED OBSOLETE PART NUMBERS AS PER PCN#515181
$\frac{E}{A} = 0$	MM/IN	2:1	<p><b>molex</b></p> <p>9.53MM [.375"] SR BTS ASSY, INSULATED TURRET TERM. NO MTG. ENDS</p> <p>EC NO: 793824                  DRWN: MADHAM5                  CHK'D: GGA                  APPR: GGA</p> <p>2024/06/05                  2024/08/14                  2024/08/14</p> <p>PRODUCT CUSTOMER DRAWING</p>
$\frac{E}{E} = 0$	GENERAL TOLERANCES (UNLESS SPECIFIED)		
$\frac{E}{P} = 0$	MM	INCH	
DIVISIONAL SYMBOLS	4 PLACES	±	
	3 PLACES	± 0.005	
	2 PLACES	± 0.13 ± 0.01	
	1 PLACE	± 0.3 ±	
	0 PLACES	±	
	ANGULAR TOL	± 2.0 °	
DRAFT WHERE APPLICABLE MUST REMAIN WITHIN DIMENSIONS		THIRD ANGLE PROJECTION	DRAWING
			B-SIZE
		SERIES	38720
DOCUMENT NUMBER		CUSTOMER	SHEET NUMBER
SD-38720-012		GENERAL MARKET	2 OF 2
DOC TYPE		DOC PART	REVISION
PSD		001	A1