

480053-4 ✓ ACTIVE

FASTIN-FASTON | FASTIN-FASTON 250

TE Internal #: 480053-4

Tab, Tab Housing, 1 Position, Straight, UL 94V-2, Black, Nylon,  
Contact Mating Retention, Mating Alignment, FASTIN-FASTON  
250, Crimp Terminal Housings

[View on TE.com >](#)



Terminals & Splices > Terminal Housings, Insulation Sleeves & Blocks > Crimp Terminal Housings



Terminal Type: **Tab**

Connector & Housing Type: **Tab Housing**

Number of Positions: **1**

Terminal Orientation: **Straight**

UL Flammability Rating: **UL 94V-2**

## Features

### Product Type Features

Sealable	No
Connector & Contact Terminates To	Wire & Cable
Connector & Housing Type	Tab Housing

### Configuration Features

Number of Positions	1
---------------------	---

### Body Features

Primary Product Color	Black
-----------------------	-------

### Contact Features

Terminal Type	Tab
Terminal Orientation	Straight
Contact Mating Retention	With

### Mechanical Attachment

Mating Retention Type	Latch
-----------------------	-------



Mating Alignment	With
Connector Mounting Type	Cable Mount (Free-Hanging)

### Housing Features

Housing Material	Nylon
------------------	-------

### Dimensions

Product Length	32.51 mm[1.28 in]
----------------	-------------------

### Usage Conditions

Operating Temperature Range	-40 – 105 °C[-40 – 221 °F]
-----------------------------	----------------------------

### Industry Standards

UL Flammability Rating	UL 94V-2
------------------------	----------

### Packaging Features

Packaging Quantity	1
Packaging Method	Carton

## Product Compliance

[For compliance documentation, visit the product page on TE.com>](#)

EU RoHS Directive 2011/65/EU	Compliant
EU ELV Directive 2000/53/EC	Compliant
China RoHS 2 Directive MIIT Order No 32, 2016	No Restricted Materials Above Threshold
EU REACH Regulation (EC) No. 1907/2006	Current ECHA Candidate List: JUNE 2024 (241) Candidate List Declared Against: JUNE 2024 (241) Does not contain REACH SVHC
Halogen Content	Low Halogen - Br, Cl, F, I < 900 ppm per homogenous material. Also BFR/CFR/PVC Free
Solder Process Capability	Not applicable for solder process capability

#### Product Compliance Disclaimer

This information is provided based on reasonable inquiry of our suppliers and represents our current actual knowledge based on the information they provided. This information is subject to change. The part numbers that TE has identified as EU RoHS compliant have a maximum concentration of 0.1% by weight in homogenous materials for lead, hexavalent chromium, mercury, PBB, PBDE, DBP, BBP, DEHP, DIBP, and 0.01% for cadmium, or qualify for an exemption to these limits as defined in the Annexes of Directive 2011/65/EU (RoHS2). Finished electrical and electronic equipment products will be CE marked as required by Directive 2011/65/EU. Components may not be CE marked. Additionally, the part numbers that TE has identified as EU ELV compliant have a maximum concentration of 0.1% by weight in homogenous materials for lead, hexavalent chromium, and mercury, and 0.01% for cadmium, or qualify for an exemption to these limits as defined in the Annexes of Directive 2000/53/EC (ELV). Regarding the REACH Regulation, the information TE provides on SVHC in articles for this part number is based on the latest European Chemicals Agency (ECHA) 'Guidance on

requirements for substances in articles' posted at this URL: <https://echa.europa.eu/guidance-documents/guidance-on-reach>

## Compatible Parts



TE Part # 964586-1  
FF 2P HOUSING TAB POLYESTER VALOX 357



TE Part # 170340-1  
FF 250 TAB 20-14AWG BR WITHOUT LATCH



TE Part # 170341-3  
FF 250 TAB 14-12AWG PTBR WITHOUT LATCH



TE Part # 170349-2  
FF 250 TAB 22-20AWG TPBR WITHOUT LATCH



TE Part # 170340-3  
FF 250 TAB 20-14AWG PTBR WITHOUT LATCH



TE Part # 170341-1  
FF 250 TAB 14-12AWG BR WITHOUT LATCH



TE Part # 521744-1  
FASTIN FASTON 250 HOUSING TAB NYLON 6/6



TE Part # 928193-1  
FF 2.8MM TAB HSG 2P PBT BLACK



TE Part # 170349-1  
FF 250 TAB 22-20AWG BR WITHOUT LATCH



TE Part # 1-480251-0  
FF 187 TAB HSG 3P NYLON NAT




TE Part # 626063-1  
FASTIN-ON .110 HOUSING TAB PA 6.6




TE Part # 964473-1  
FF 110 TAB HSG 10P PBT BLACK


## Also in the Series | FASTIN-FASTON 250




Crimp Terminal Housings(210)



Insertion & Extraction Tools(2)

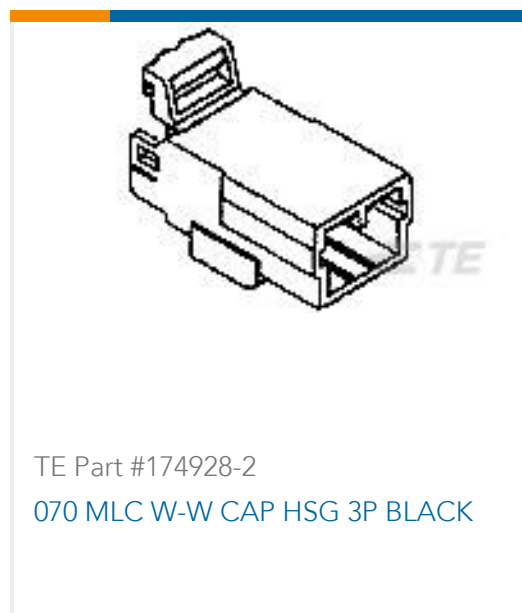
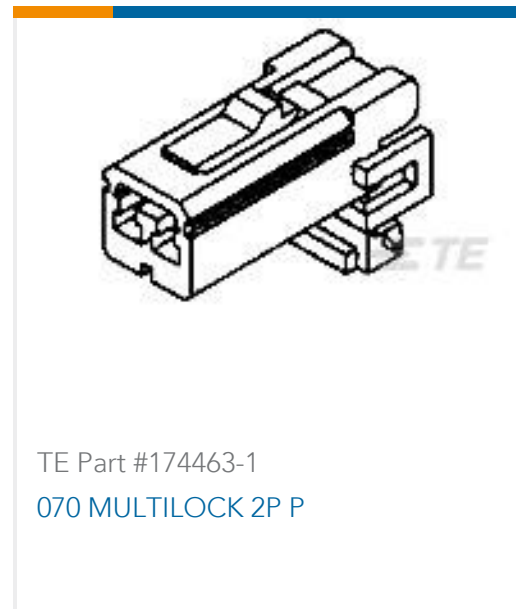


PCB Terminals(2)



Quick Disconnects(251)

## Customers Also Bought



## Documents

### Product Drawings

[FF 250 TAB HSG 1P NYLON BLACK](#)

English

### CAD Files

[3D PDF](#)

3D

Customer View Model

[ENG\\_CVM\\_CVM\\_480053-4\\_CE.2d\\_dxf.zip](#)

English

Customer View Model

[ENG\\_CVM\\_CVM\\_480053-4\\_CE.3d\\_igs.zip](#)

English

Customer View Model

[ENG\\_CVM\\_CVM\\_480053-4\\_CE.3d\\_stp.zip](#)

English

By downloading the CAD file I accept and agree to the [Terms and Conditions](#) of use.

### Datasheets & Catalog Pages



**FASTIN\_FASTON\_Product\_Line**

English

**White Paper: Nylon Discoloration**

English

---

**Product Specifications**

**Application Specification**

English

---

**Agency Approvals**

**UL Report**

English