

3-582118-4 ✓ ACTIVE

Test Probe 130

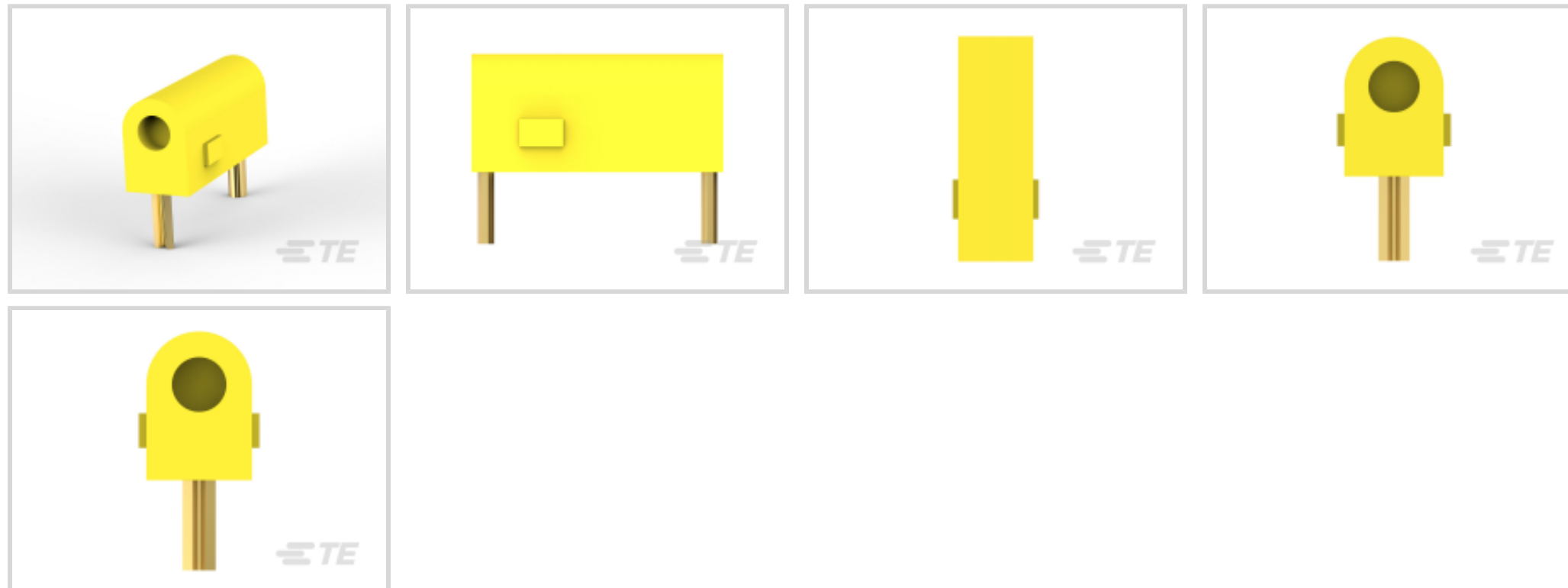
TE Internal #: 3-582118-4

Gold, Test Probe 130, Test Probe Receptacles

[View on TE.com >](#)



Connectors > Connector Accessories > Test Probe Receptacles



Profile Height from PCB: 5.84 mm [.23 in]

Funnel Entry: **Without**

Contact Mating Area Plating Material: **Gold**

Features

Product Type Features

Test Probe Hole Location	Side Entry
Connector System	Cable-to-Board
Connector & Contact Terminates To	Printed Circuit Board
Funnel Entry	Without

Configuration Features

Number of Positions	1
---------------------	---

Contact Features

Contact Base Material	Brass
Contact Current Rating (Max)	4.75 A
Contact Mating Area Plating Material	Gold

Mechanical Attachment

Connector Mounting Type	Board Mount
-------------------------	-------------

Dimensions

Profile Height from PCB	5.84 mm [.23 in]
-------------------------	------------------

Usage Conditions

Operating Temperature Range	-55 – 85 °C [-67 – 185 °F]
-----------------------------	----------------------------

Operation/Application

Circuit Application	Power & Signal
---------------------	----------------

Product Compliance

[For compliance documentation, visit the product page on TE.com>](#)

EU RoHS Directive 2011/65/EU	Compliant
EU ELV Directive 2000/53/EC	Compliant
China RoHS 2 Directive MIIT Order No 32, 2016	No Restricted Materials Above Threshold
EU REACH Regulation (EC) No. 1907/2006	Current ECHA Candidate List: JUNE 2024 (241) Candidate List Declared Against: JUNE 2024 (241) Does not contain REACH SVHC
Halogen Content	Low Halogen - Br, Cl, F, I < 900 ppm per homogenous material. Also BFR/CFR/PVC Free
Solder Process Capability	Wave solder capable to 240°C

Product Compliance Disclaimer

This information is provided based on reasonable inquiry of our suppliers and represents our current actual knowledge based on the information they provided. This information is subject to change. The part numbers that TE has identified as EU RoHS compliant have a maximum concentration of 0.1% by weight in homogenous materials for lead, hexavalent chromium, mercury, PBB, PBDE, DBP, BBP, DEHP, DIBP, and 0.01% for cadmium, or qualify for an exemption to these limits as defined in the Annexes of Directive 2011/65/EU (RoHS2). Finished electrical and electronic equipment products will be CE marked as required by Directive 2011/65/EU. Components may not be CE marked. Additionally, the part numbers that TE has identified as EU ELV compliant have a maximum concentration of 0.1% by weight in homogenous materials for lead, hexavalent chromium, and mercury, and 0.01% for cadmium, or qualify for an exemption to these limits as defined in the Annexes of Directive 2000/53/EC (ELV). Regarding the REACH Regulation, the information TE provides on SVHC in articles for this part number is based on the latest European Chemicals Agency (ECHA) 'Guidance on requirements for substances in articles' posted at this URL: <https://echa.europa.eu/guidance-documents/guidance-on-reach>

Compatible Parts

 <p>TE Part # 3-582118-0 TEST PROBE REC130 BI BLK GPBR</p>	 <p>TE Part # 3-582118-2 TEST PROBE REC130 BI RED GPBR</p>	 <p>TE Part # 3-582118-6 TEST PROBE REC130 BI BLU GPBR</p>	 <p>TE Part # 3-582118-9 TEST PROBE REC130 BI WHT GPBR</p>
---	---	---	---

TE Part # 350180-2
TEST PROBE REC130L SPCL RED GPBR

TE Part # 2-582118-9
TEST PROBE REC130 BI WHT SPBR

TE Part # 3-582118-5
TEST PROBE REC130 BI GRN GPBR

TE Part # 3-582119-0
TEST PROBE REC130 TRI-MT BLK GPBR

TE Part # 350180-3
TEST PROBE REC130 SPCL RRN GPBR

TE Part # 1-380736-9
TEST PROBE REC180 BI WHT GPBR

TE Part # 1-521799-0
TEST PROBE HOUSING BLACK

TE Part # 1-521799-5
TEST PROBE HOUSING GREEN

TE Part # 2-582118-0
TEST PROBE REC130L BI-MT BLK SPBR

TE Part # 350180-5
TEST PROBE REC130 SPCL GRN GPBR

TE Part # 350180-6
TEST PROBE REC130 SPCL BLU GPBR

TE Part # 6-582118-9
TEST PROBE REC130 BI NAT GPBR

Also in the Series | [Test Probe 130](#)

Test Probe Receptacles(18)

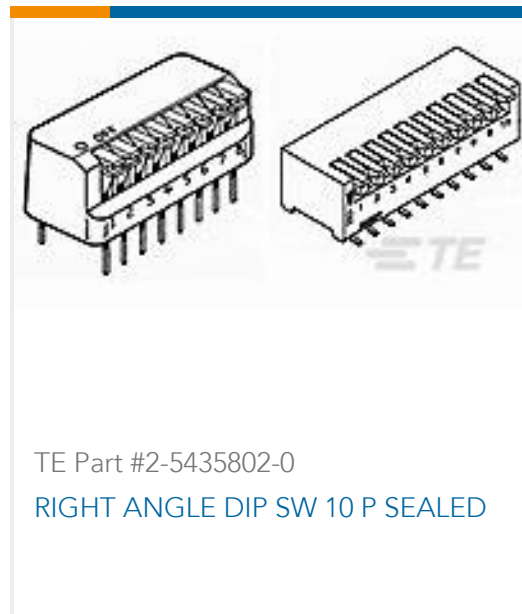
Customers Also Bought

TE Part #178289-8
DYNAMIC D3100 REC HSG 20P

TE Part #178325-3
DYNAMIC D3100D HDR V 10P ASSY AU076

TE Part #9-2176231-8
3522 110K 1% 3W

TE Part #5-1625999-4
HSC100 R50 5%



Documents

CAD Files

[3D PDF](#)

[3D](#)

[Customer View Model](#)

[ENG_CVM_CVM_3-582118-4_AP.2d_dxf.zip](#)

English

[Customer View Model](#)

[ENG_CVM_CVM_3-582118-4_AP.3d_igs.zip](#)

English

[Customer View Model](#)

[ENG_CVM_CVM_3-582118-4_AP.3d_stp.zip](#)

English

By downloading the CAD file I accept and agree to the [Terms and Conditions](#) of use.

Datasheets & Catalog Pages

[PRINTED CIRCUIT BOARD TERMINALS AND DISCONNECTS](#)

English

Product Specifications

[Application Specification](#)

English

[Test Probe Receptacle Contacts](#)

English