

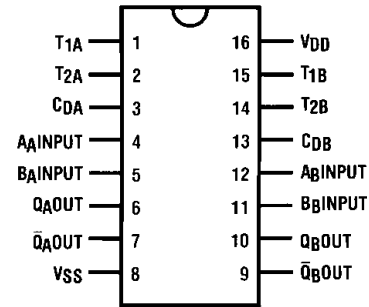


## General Description

The CD4538 is a dual, precision monostable multivibrator with independent trigger and reset controls. The device is retriggerable and resettable, and the control inputs are internally latched. Two trigger inputs are provided to allow either rising or falling edge triggering. The reset inputs are active LOW and prevent triggering while active. Precise control of output pulse-width has been achieved using linear CMOS techniques. The pulse duration and accuracy are determined by external components  $R_X$  and  $C_X$ . The device does not allow the timing capacitor to discharge through the timing pin on power-down condition. For this reason, no external protection resistor is required in series with the timing pin. Input protection from static discharge is provided on all pins.

## Connection Diagram

Pin Assignments for DIP and SOIC



Top View

## Features

- Wide supply voltage range: 3.0V to 15V
- High noise immunity:  $0.45 V_{CC}$  (typ.)
- Low power TTL compatibility: Fan out of 2 driving 74L or 1 driving 74LS
- New formula:  $PW_{OUT} = RC$  (PW in seconds, R in Ohms, C in Farads)
- $\pm 1.0\%$  pulse-width variation from part to part (typ.)
- Wide pulse-width range:  $1 \mu s$  to  $\infty$
- Separate latched reset inputs
- Symmetrical output sink and source capability
- Low standby current: 5 nA (typ.) @  $5 V_{DC}$
- Pin compatible to CD4528

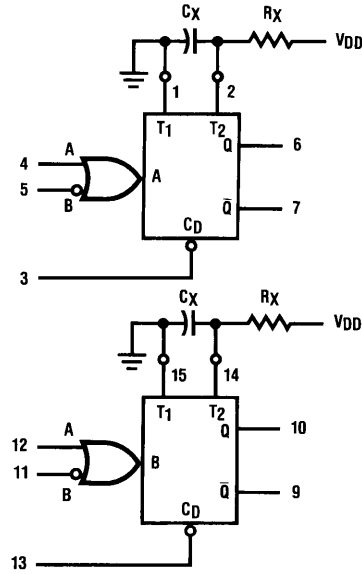
## Truth Table

Inputs			Outputs	
Clear	A	B	Q	$\bar{Q}$
L	X	X	L	H
X	H	X	L	H
X	X	L	L	H
H	L	↓	⌋	⌋
H	↑	H	⌋	⌋

H = HIGH Level  
L = LOW Level  
↑ = Transition from LOW-to-HIGH  
↓ = Transition from HIGH-to-LOW  
⌋ = One HIGH Level Pulse  
⌋ = One LOW Level Pulse  
X = Irrelevant



## Block Diagram



$R_X$  and  $C_X$  are External Components

$V_{DD}$  = Pin 16

$V_{SS}$  = Pin 8

## Logic Diagram

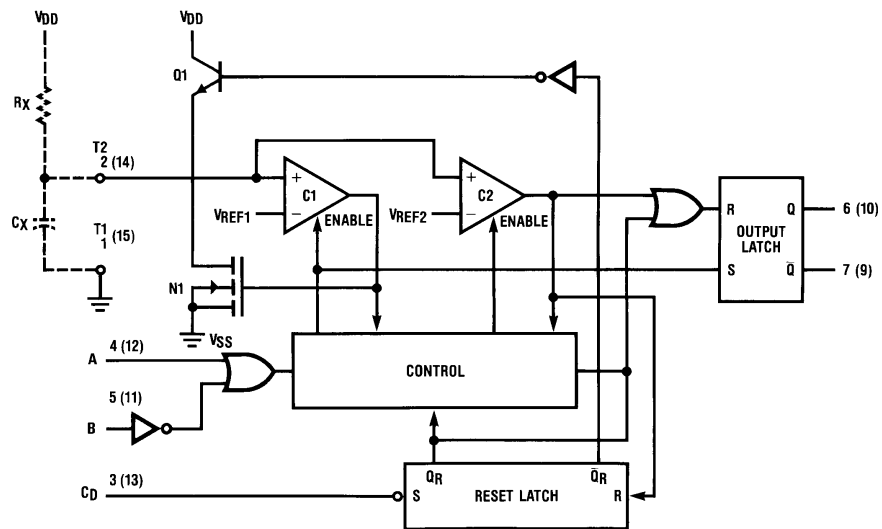


FIGURE 1.



## Theory of Operation

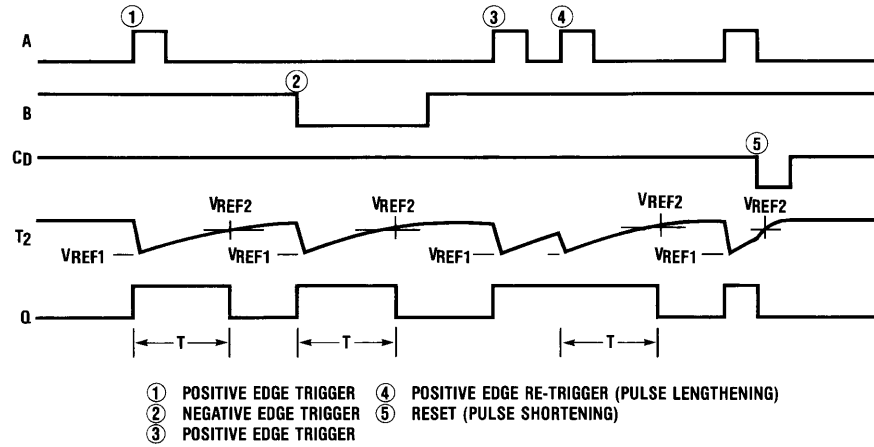


FIGURE 2.

## Trigger Operation

The block diagram of the CD4538 is shown in Figure 1, with circuit operation following.

As shown in Figure 1 and Figure 2, before an input trigger occurs, the monostable is in the quiescent state with the Q output low, and the timing capacitor  $C_X$  completely charged to  $V_{DD}$ . When the trigger input A goes from  $V_{SS}$  to  $V_{DD}$  (while inputs B and  $C_D$  are held to  $V_{DD}$ ) a valid trigger is recognized, which turns on comparator C1 and N-Channel transistor N1<sup>(1)</sup>. At the same time the output latch is set. With transistor N1 on, the capacitor  $C_X$  rapidly discharges toward  $V_{SS}$  until  $V_{REF1}$  is reached. At this point the output of comparator C1 changes state and transistor N1 turns off. Comparator C1 then turns off while at the same time comparator C2 turns on. With transistor N1 off, the capacitor  $C_X$  begins to charge through the timing resistor,  $R_X$ , toward  $V_{DD}$ . When the voltage across  $C_X$  equals  $V_{REF2}$ , comparator C2 changes state causing the output latch to reset (Q goes low) while at the same time disabling comparator C2. This ends the timing cycle with the monostable in the quiescent state, waiting for the next trigger.

A valid trigger is also recognized when trigger input B goes from  $V_{DD}$  to  $V_{SS}$  (while input A is at  $V_{SS}$  and input  $C_D$  is at  $V_{DD}$ )<sup>(2)</sup>.

It should be noted that in the quiescent state  $C_X$  is fully charged to  $V_{DD}$ , causing the current through resistor  $R_X$  to be zero. Both comparators are "off" with the total device current due only to reverse junction leakages. An added feature of the CD4538 is that the output latch is set via the input trigger without regard to the capacitor voltage.

Thus, propagation delay from trigger to Q is independent of the value of  $C_X$ ,  $R_X$ , or the duty cycle of the input waveform.

## Retrigger Operation

The CD4538 is retriggered if a valid trigger occurs<sup>(3)</sup> followed by another valid trigger<sup>(4)</sup> before the Q output has returned to the quiescent (zero) state. Any retrigger, after the timing node voltage at pin 2 or 14 has begun to rise from  $V_{REF1}$ , but has not yet reached  $V_{REF2}$ , will cause an increase in output pulse width T. When a valid retrigger is initiated<sup>(4)</sup>, the voltage at T2 will again drop to  $V_{REF1}$  before progressing along the RC charging curve toward  $V_{DD}$ . The Q output will remain high until time T, after the last valid retrigger.

## Reset Operation

The CD4538 may be reset during the generation of the output pulse. In the reset mode of operation, an input pulse on  $C_D$  sets the reset latch and causes the capacitor to be fast charged to  $V_{DD}$  by turning on transistor Q1<sup>(5)</sup>. When the voltage on the capacitor reaches  $V_{REF2}$ , the reset latch will clear and then be ready to accept another pulse. If the  $C_D$  input is held low, any trigger inputs that occur will be inhibited and the Q and  $\bar{Q}$  outputs of the output latch will not change. Since the Q output is reset when an input low level is detected on the  $C_D$  input, the output pulse T can be made significantly shorter than the minimum pulse width specification.

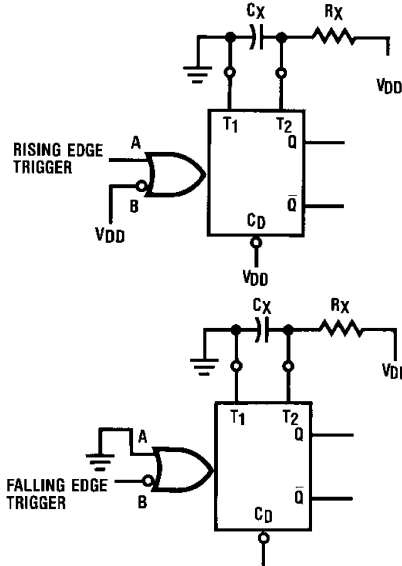


FIGURE 3. Retriggerable Monostables Circuitry

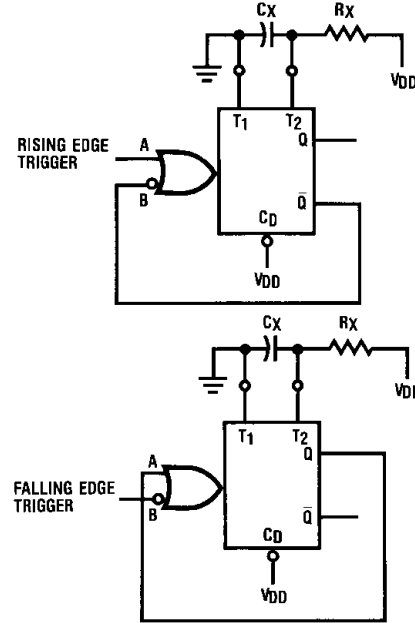


FIGURE 4. Non-Retriggerable Monostables Circuitry

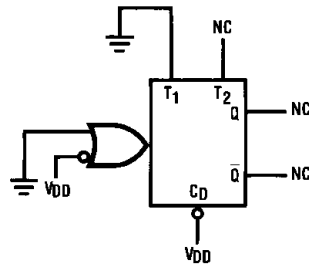


FIGURE 5. Connection of Unused Sections



### Absolute Maximum Ratings (Note 1)

(Note 2)

DC Supply Voltage ( $V_{DD}$ )	-0.5 to +18 $V_{DC}$
Input Voltage ( $V_{IN}$ )	-0.5V to $V_{DD} + 0.5 V_{DC}$
Storage Temperature Range ( $T_S$ )	-65°C to +150°C
Power Dissipation ( $P_D$ )	
Dual-In-Line	700 mW
Small Outline	500 mW
Lead Temperature ( $T_L$ )	
(Soldering, 10 seconds)	260°C

### Recommended Operating Conditions (Note 2)

DC Supply Voltage ( $V_{DD}$ )	3 to 15 $V_{DC}$
Input Voltage ( $V_{IN}$ )	0 to $V_{DD} V_{DC}$
Operating Temperature Range ( $T_A$ )	-40°C to +85°C

**Note 1:** "Absolute Maximum Ratings" are those values beyond which the safety of the device cannot be guaranteed, they are not meant to imply that the devices should be operated at these limits. The tables of "Recommended Operating Conditions" and "Electrical Characteristics" provide conditions for actual device operation.

**Note 2:**  $V_{SS} = 0V$  unless otherwise specified.

### DC Electrical Characteristics (Note 2)

Symbol	Parameter	Conditions	-40°C		+25°C			+85°C		Units
			Min	Max	Min	Typ	Max	Min	Max	
$I_{DD}$	Quiescent Device Current	$V_{DD} = 5V$ $V_{IH} = V_{DD}$		20		0.005	20		150	$\mu A$
		$V_{DD} = 10V$ $V_{IL} = V_{SS}$		40		0.010	40		300	$\mu A$
		$V_{DD} = 15V$ All Outputs Open		80		0.015	80		600	$\mu A$
$V_{OL}$	LOW Level Output Voltage	$V_{DD} = 5V$ $ I_O  < 1 \mu A$		0.05		0	0.05		0.05	V
		$V_{DD} = 10V$ $V_{IH} = V_{DD}, V_{IL} = V_{SS}$		0.05		0	0.05		0.05	V
		$V_{DD} = 15V$		0.05		0	0.05		0.05	V
$V_{OH}$	HIGH Level Output Voltage	$V_{DD} = 5V$ $ I_O  < 1 \mu A$	4.95		4.95	5		4.95		V
		$V_{DD} = 10V$ $V_{IH} = V_{DD}, V_{IL} = V_{SS}$	9.95		9.95	10		9.95		V
		$V_{DD} = 15V$	14.95		14.95	15		14.95		V
$V_{IL}$	LOW Level Input Voltage	$ I_O  < 1 \mu A$								
		$V_{DD} = 5V, V_O = 0.5V$ or 4.5V		1.5		2.25	1.5		1.5	V
		$V_{DD} = 10V, V_O = 1.0V$ or 9.0V		3.0		4.50	3.0		3.0	V
$V_{IH}$	HIGH Level Input Voltage	$V_{DD} = 15V, V_O = 1.5V$ or 13.5V		4.0		6.75	4.0		4.0	V
		$V_{DD} = 5V, V_O = 0.5V$ or 4.5V	3.5		3.5	2.75		3.5		V
		$V_{DD} = 10V, V_O = 1.0V$ or 9.0V	7.0		7.0	5.50		7.0		V
$I_{OL}$	LOW Level Output Current (Note 3)	$V_{DD} = 5V, V_O = 0.4V$ $V_{IH} = V_{DD}$	0.52		0.44	0.88		0.36		mA
		$V_{DD} = 10V, V_O = 0.5V$ $V_{IL} = V_{SS}$	1.3		1.1	2.25		0.9		mA
		$V_D = 15V, V_O = 1.5V$	3.6		3.0	8.8		2.4		mA
$I_{OH}$	HIGH Level Output Current (Note 3)	$V_{DD} = 5V, V_O = 4.6V$	-0.52		-0.44	-0.88		-0.36		mA
		$V_{DD} = 10V, V_O = 9.5V$ $V_{IL} = V_{SS}$	-1.3		-1.1	-2.25		-0.9		mA
		$V_D = 15V, V_O = 13.5V$	-3.6		-3.0	-8.8		-2.4		mA
$I_{IN}$	Input Current, Pin 2 or 14	$V_{DD} = 15V, V_{IN} = 0V$ or 15V		$\pm 0.02$		$\pm 10^{-5}$	$\pm 0.05$		$\pm 0.5$	$\mu A$
$I_{IN}$	Input Current Other Inputs	$V_{DD} = 15V, V_{IN} = 0V$ or 15V		$\pm 0.3$		$\pm 10^{-5}$	$\pm 0.3$		$\pm 1.0$	$\mu A$

**Note 3:**  $I_{OH}$  and  $I_{OL}$  are tested one output at a time.



### AC Electrical Characteristics (Note 4)

$T_A = 25^\circ\text{C}$ ,  $C_L = 50\text{ pF}$ , and  $t_r = t_f = 20\text{ ns}$  unless otherwise specified

Symbol	Parameter	Conditions	Min	Typ	Max	Units
$t_{TLH}$ , $t_{THL}$	Output Transition Time	$V_{DD} = 5\text{V}$ $V_{DD} = 10\text{V}$ $V_{DD} = 15\text{V}$		100 50 40	200 100 80	ns ns ns
$t_{PLH}$ , $t_{PHL}$	Propagation Delay Time	Trigger Operation— A or B to Q or $\bar{Q}$ $V_{DD} = 5\text{V}$ $V_{DD} = 10\text{V}$ $V_{DD} = 15\text{V}$ Reset Operation— $C_D$ to Q or $\bar{Q}$ $V_{DD} = 5\text{V}$ $V_{DD} = 10\text{V}$ $V_{DD} = 15\text{V}$		300 150 100 250 125 95	600 300 220 500 250 190	ns ns ns ns ns ns
$t_{WL}$ , $t_{WH}$	Minimum Input Pulse Width A, B, or $C_D$	$V_{DD} = 5\text{V}$ $V_{DD} = 10\text{V}$ $V_{DD} = 15\text{V}$		35 30 25	70 60 50	ns ns ns
$t_{RR}$	Minimum Retrigger Time	$V_{DD} = 5\text{V}$ $V_{DD} = 10\text{V}$ $V_{DD} = 15\text{V}$		0 0 0	0 0 0	ns ns ns
$C_{IN}$	Input Capacitance	Pin 2 or 14 Other Inputs		10 5	7.5	pF pF
$PW_{OUT}$	Output Pulse Width (Q or $\bar{Q}$ ) (Note: For Typical Distribution, see Figure 6)	$R_X = 100\text{ k}\Omega$ $V_{DD} = 5\text{V}$ $C_X = 0.002\text{ }\mu\text{F}$ $V_{DD} = 10\text{V}$ $V_{DD} = 15\text{V}$ $R_X = 100\text{ k}\Omega$ $V_{DD} = 5\text{V}$ $C_X = 0.1\text{ }\mu\text{F}$ $V_{DD} = 10\text{V}$ $V_{DD} = 15\text{V}$ $R_X = 100\text{ k}\Omega$ $V_{DD} = 5\text{V}$ $C_X = 10.0\text{ }\mu\text{F}$ $V_{DD} = 10\text{V}$ $V_{DD} = 15\text{V}$	208 211 216 8.83 9.02 9.20 0.87 0.89 0.91	226 230 235 9.60 9.80 10.00 0.95 0.97 0.99	244 248 254 10.37 10.59 10.80 1.03 1.05 1.07	$\mu\text{s}$ $\mu\text{s}$ $\mu\text{s}$ ms ms ms s s s
Pulse Width Match between Circuits in the Same Package $C_X = 0.1\text{ }\mu\text{F}$ , $R_X = 100\text{ k}\Omega$		$R_X = 100\text{ k}\Omega$ $V_{DD} = 5\text{V}$ $C_X = 0.1\text{ }\mu\text{F}$ $V_{DD} = 10\text{V}$ $V_{DD} = 15\text{V}$		$\pm 1$ $\pm 1$ $\pm 1$		% % %

#### Operating Conditions

$R_X$	External Timing Resistance	5.0		(Note 5)	k $\Omega$
$C_X$	External Timing Capacitance	0		No Limit	pF

**Note 4:** AC parameters are guaranteed by DC correlated testing.

**Note 5:** The maximum usable resistance  $R_X$  is a function of the leakage of the Capacitor  $C_X$ , leakage of the CD4538, and leakage due to board layout, surface resistance, etc.



## Typical Applications

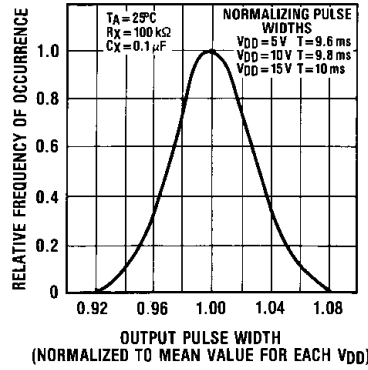


FIGURE 6. Typical Normalized Distribution of Units for Output Pulse Width

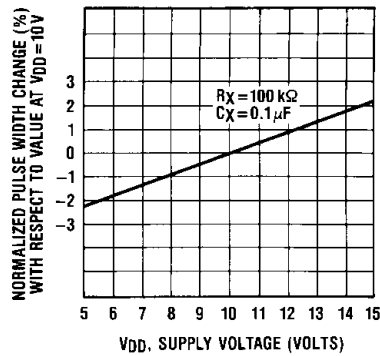


FIGURE 7. Typical Pulse Width Variation as a Function of Supply Voltage  $V_{DD}$

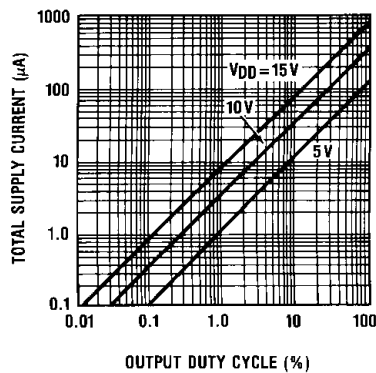


FIGURE 8. Typical Total Supply Current Versus Output Duty Cycle,  $R_X = 100\text{ k}\Omega$ ,  $C_L = 50\text{ pF}$ ,  $C_X = 100\text{ pF}$ , One Monostable Switching Only

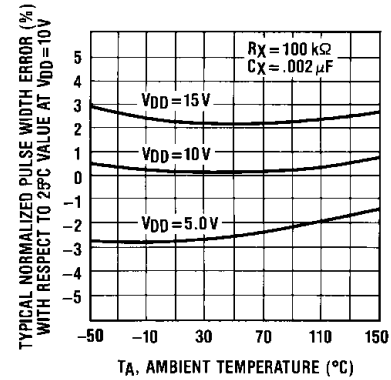


FIGURE 9. Typical Pulse Width Error Versus Temperature

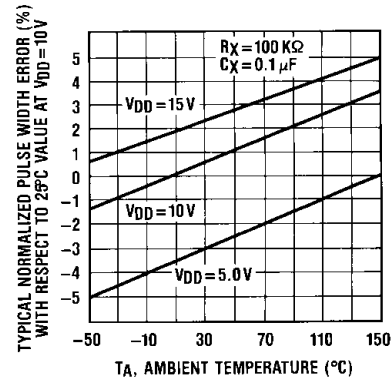


FIGURE 10. Typical Pulse Width Error Versus Temperature

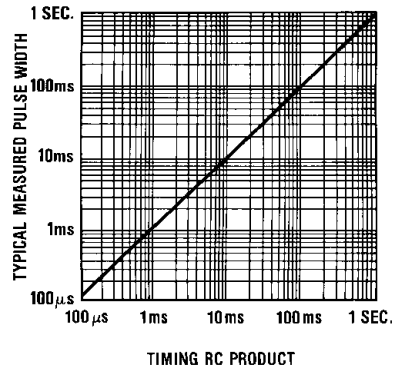


FIGURE 11. Typical Pulse Width Versus Timing RC Product



### Test Circuits and Waveforms

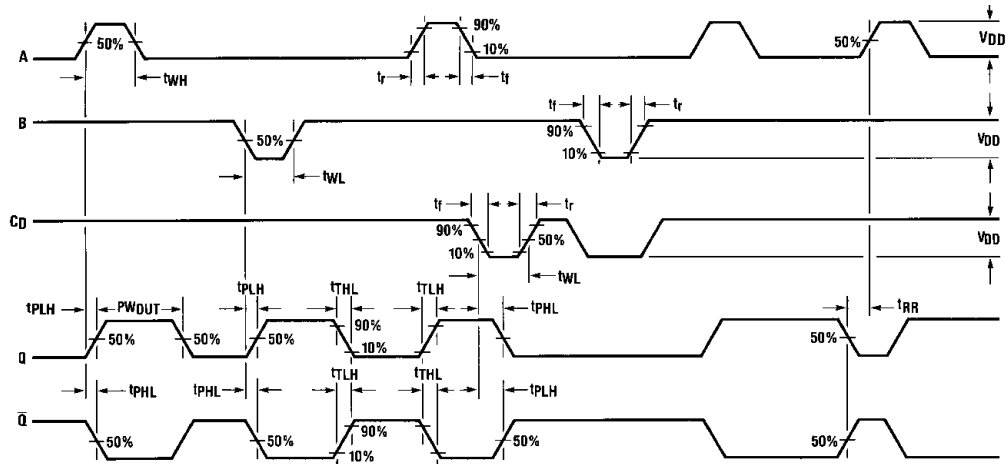
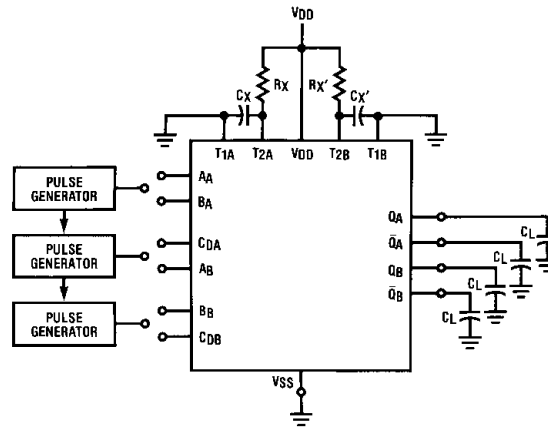


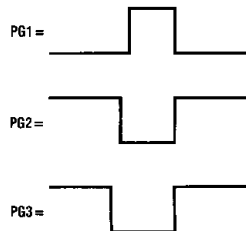
FIGURE 12. Switching Test Waveforms



\* $C_L = 50 \text{ pF}$

#### Input Connections

Characteristics	CD	A	B
$t_{PLH}$ , $t_{PHL}$ , $t_{TLH}$ , $t_{THL}$ $PW_{OUT}$ , $t_{WH}$ , $t_{WL}$	$V_{DD}$	PG1	$V_{DD}$
$t_{PLH}$ , $t_{PHL}$ , $t_{TLH}$ , $t_{THL}$ $PW_{OUT}$ , $t_{WH}$ , $t_{WL}$	$V_{DD}$	$V_{SS}$	PG2
$t_{PLH(R)}$ , $t_{PHL(R)}$ , $t_{WH}$ , $t_{WL}$	PG3	PG1	PG2

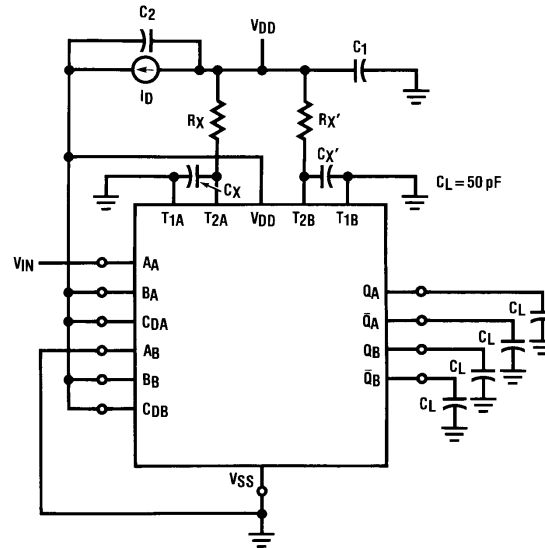


\*Includes capacitance of probes, wiring, and fixture parasitic

**Note:** Switching test waveforms for PG1, PG2, PG3 are shown in Figure 12.

FIGURE 13. Switching Test Circuit





$R_X = R_{X'} = 100 \text{ k}\Omega$   
 $C_X = C_{X'} = 100 \text{ pF}$   
 $C_1 = C_2 = 0.1 \mu\text{F}$

Duty Cycle = 50%

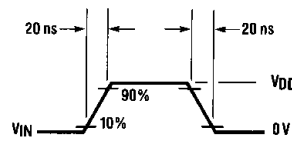


FIGURE 14. Power Dissipation Test  
Circuit and Waveforms



### Attention

- Any and all HUA XUAN YANG ELECTRONICS products described or contained herein do not have specifications that can handle applications that require extremely high levels of reliability, such as life-support systems, aircraft's control systems, or other applications whose failure can be reasonably expected to result in serious physical and/or material damage. Consult with your HUA XUAN YANG ELECTRONICS representative nearest you before using any HUA XUAN YANG ELECTRONICS products described or contained herein in such applications.
- HUA XUAN YANG ELECTRONICS assumes no responsibility for equipment failures that result from using products at values that exceed, even momentarily, rated values (such as maximum ratings, operating condition ranges, or other parameters) listed in products specifications of any and all HUA XUAN YANG ELECTRONICS products described or contained herein.
- Specifications of any and all HUA XUAN YANG ELECTRONICS products described or contained herein stipulate the performance, characteristics, and functions of the described products in the independent state, and are not guarantees of the performance, characteristics, and functions of the described products as mounted in the customer's products or equipment. To verify symptoms and states that cannot be evaluated in an independent device, the customer should always evaluate and test devices mounted in the customer's products or equipment.
- HUA XUAN YANG ELECTRONICS CO.,LTD. strives to supply high-quality high-reliability products. However, any and all semiconductor products fail with some probability. It is possible that these probabilistic failures could give rise to accidents or events that could endanger human lives, that could give rise to smoke or fire, or that could cause damage to other property. When designing equipment, adopt safety measures so that these kinds of accidents or events cannot occur. Such measures include but are not limited to protective circuits and error prevention circuits for safe design, redundant design, and structural design.
- In the event that any or all HUA XUAN YANG ELECTRONICS products(including technical data, services) described or contained herein are controlled under any of applicable local export control laws and regulations, such products must not be exported without obtaining the export license from the authorities concerned in accordance with the above law.
- No part of this publication may be reproduced or transmitted in any form or by any means, electronic or mechanical, including photocopying and recording, or any information storage or retrieval system, or otherwise, without the prior written permission of HUA XUAN YANG ELECTRONICS CO.,LTD.
- Information (including circuit diagrams and circuit parameters) herein is for example only ; it is not guaranteed for volume production. HUA XUAN YANG ELECTRONICS believes information herein is accurate and reliable, but no guarantees are made or implied regarding its use or any infringements of intellectual property rights or other rights of third parties.
- Any and all information described or contained herein are subject to change without notice due to product/technology improvement, etc. When designing equipment, refer to the "Delivery Specification" for the HUA XUAN YANG ELECTRONICS product that you intend to use.