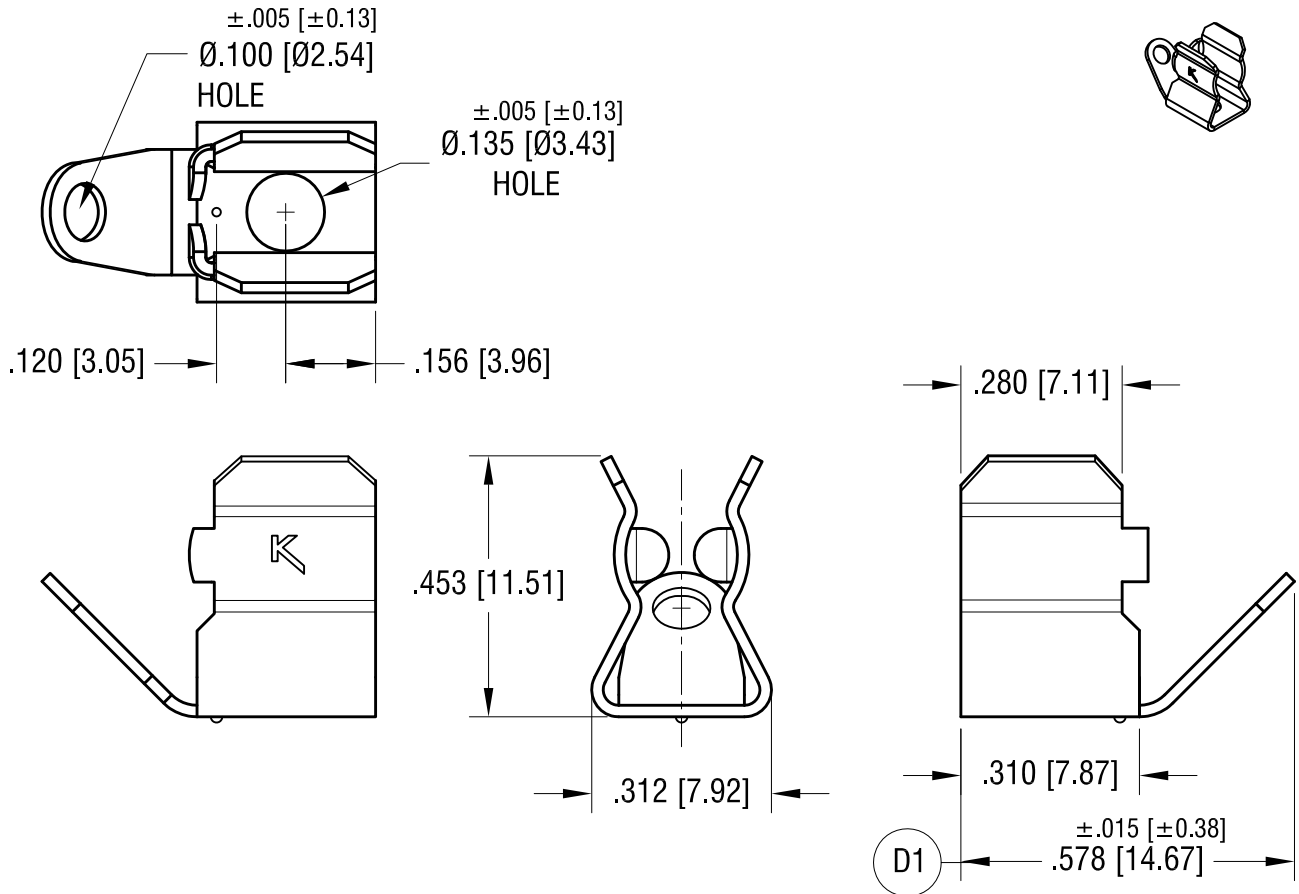


THIS DOCUMENT IS THE PROPERTY OF
KEYSTONE ELECTRONICS CORP. AND
SHALL NOT BE REPRODUCED, DISTRIBUTED
OR USED AS A BASIS FOR MANUFACTURE
WITHOUT PRIOR WRITTEN PERMISSION
FROM KEYSTONE ELECTRONICS CORP.

ACTUAL SIZE



 FILE NUMBER: E354010

KEYSTONE ELECTRONICS CORP. <small>www.keyelco.com • NEW HYDE PARK, NY 11040 • Tel (516) 328-7500</small>			
PART NAME		3AG FUSE CLIP	
MATERIAL		.020 [0.50] TH'K BRASS	
FINISH		DRN BY	DATE
NICKEL PLATE		BOONE	6.15.82
		APP'D	SCALE
		MR	3X
TOLERANCES	INCH [MM]	CODE	DWG NO.
DECIMAL	$\pm .010$ [± 0.25]	C	3535
ANGULAR	$\pm 1^\circ$		
UNLESS OTHERWISE SPECIFIED			
DATE	DESCRIPTION	REV.	
6.03.20	ECN 20-048, D1 WAS $562 \pm .015$	D	
9.12.12	CHANGE AS PER ECN 12-141	C	
8.12.03	CHANGE AS PER ECN 03-056	B	
5.22.02	CHANGE AS PER ECN 02-056	A	