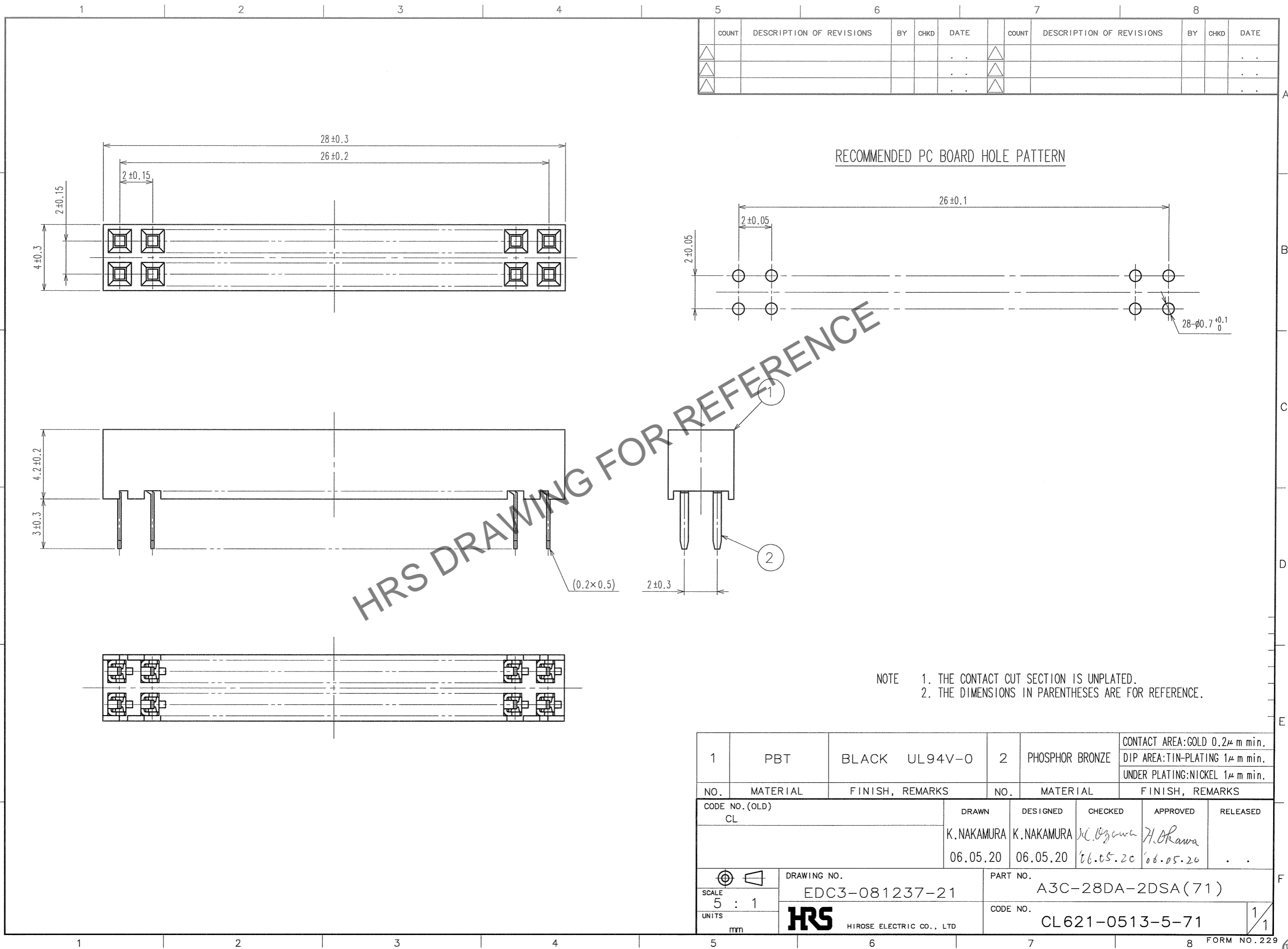


In case of consideration for using Automotive equipment / device which demand high reliability, kindly contact our sales window correspondents.

Jul.1.2024 Copyright 2024 HIROSE ELECTRIC CO., LTD. All Rights Reserved.



COUNT	DESCRIPTION OF REVISIONS	BY	CHKD	DATE	COUNT	DESCRIPTION OF REVISIONS	BY	CHKD	DATE
△				..	△				..
△				..	△				..
△				..	△				..

HRS DRAWING FOR REFERENCE

NOTE 1. THE CONTACT CUT SECTION IS UNPLATED.  
2. THE DIMENSIONS IN PARENTHESES ARE FOR REFERENCE.

1	PBT	BLACK UL94V-0	2	PHOSPHOR BRONZE	CONTACT AREA: GOLD 0.2μm min. DIP AREA: TIN-PLATING 1μm min. UNDER PLATING: NICKEL 1μm min.
NO.	MATERIAL	FINISH, REMARKS	NO.	MATERIAL	FINISH, REMARKS
CODE NO. (OLD) CL			DRAWN	DESIGNED	CHECKED
			K. NAKAMURA	K. NAKAMURA	K. Nakamura
			06.05.20	06.05.20	06.05.20
					H. Okawa
					06.05.20
					..
DRAWING NO. EDC3-081237-21			PART NO. A3C-28DA-2DSA(71)		
SCALE 5 : 1			CODE NO. CL621-0513-5-71		
UNITS mm			1/1		

TO