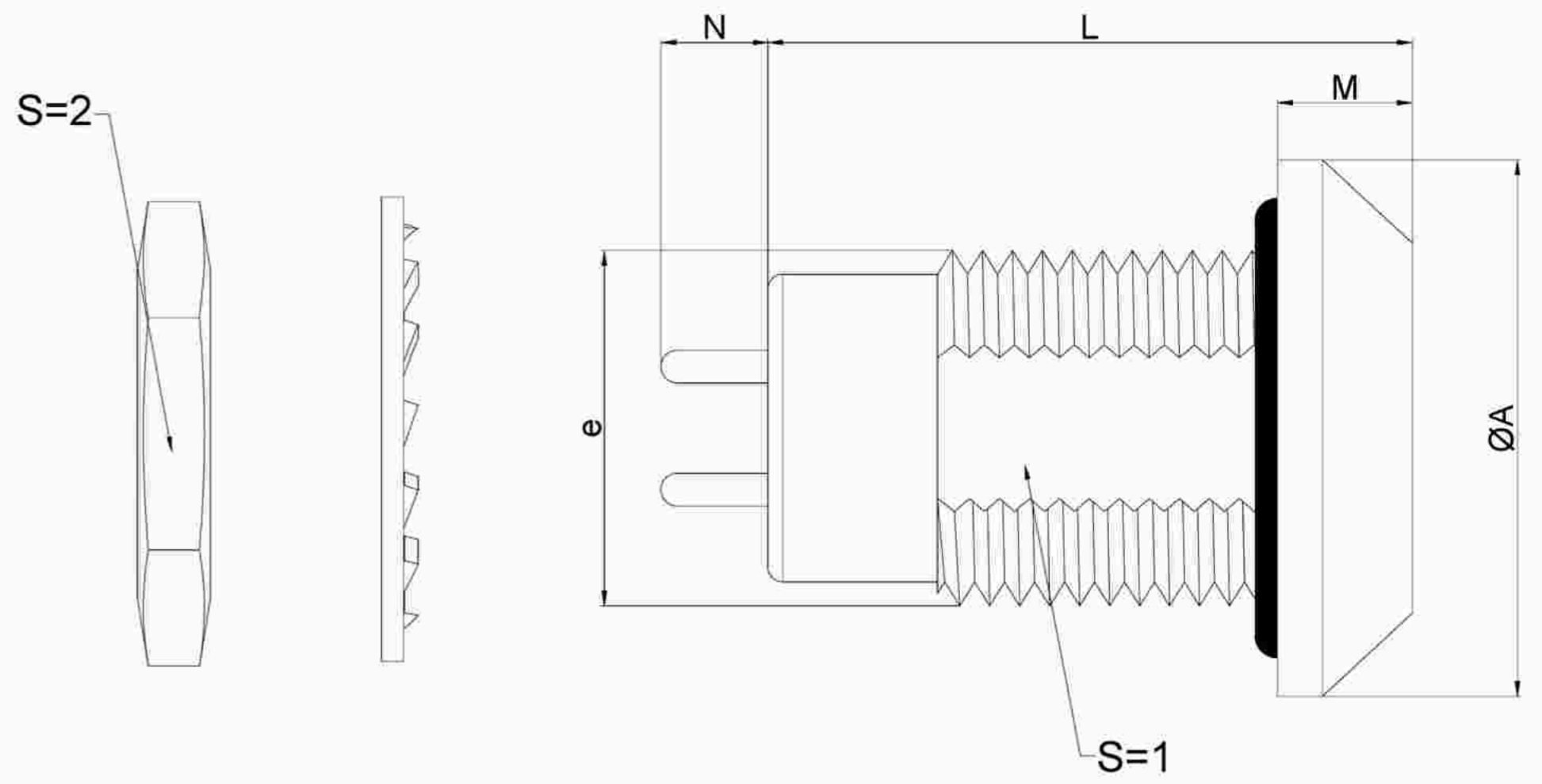


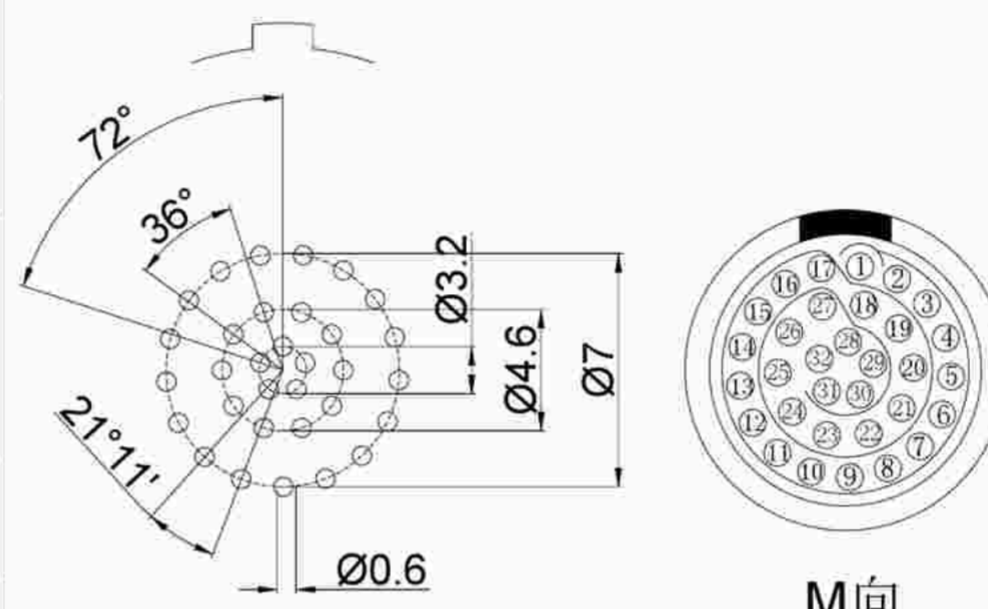
1.View and size(视图及尺寸)

| Main technical indicators(主要技术指标) | |
|-----------------------------------|--|
| 1.Mating (插拔次数) | 5000 |
| 2.Working Temperature (温度) | -55~+150 °C |
| 3.IP Rating (防护级别) | IP 54 |
| 4.Diameter of socket end(插合端直径) | φ0.5 |
| 5.Testing Voltage (测试电压) | 800V |
| 6.Working Voltage (工作电压) | 1200V |
| 7.Rated Current (额定电流) | 1.5A |
| 8.Shell material(壳体材质) | Brass (chromium plating)/(nickel plating) fixation ring/ 黄铜(镀铬)/(镀镍) 固定圈 |
| 9.Pin Material(插针材料) | Copper alloy gold plating(铜合金镀金) |
| 10.Insulator material(绝缘体材质) | L:PPS P:PEEK |

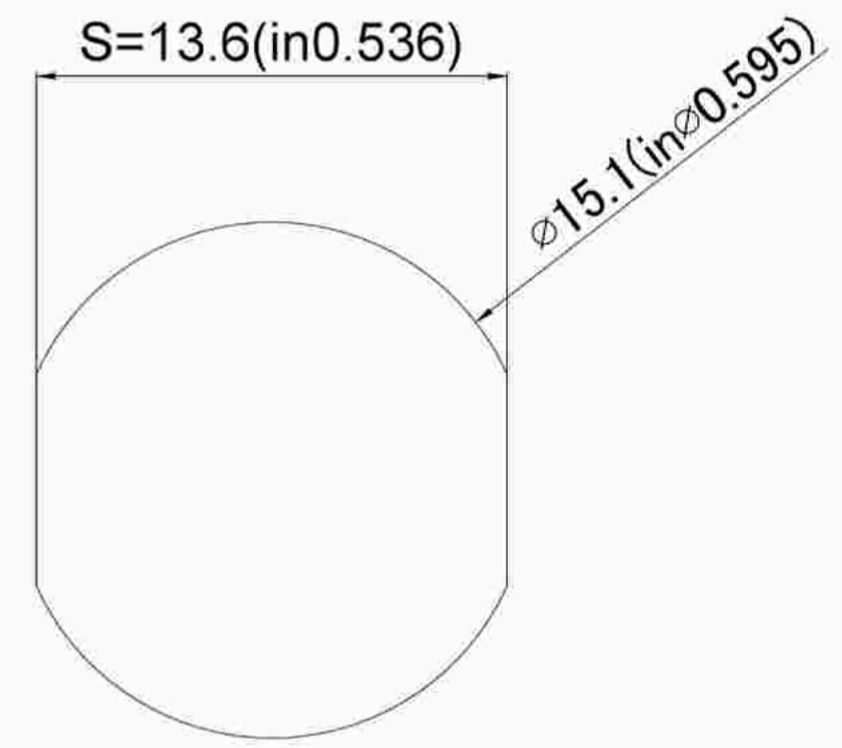


| | A | L | N | E | M | S1 | S2 |
|----|--------|--------|--------|-------|--------|--------|--------|
| MM | 20 | 28.0 | 3.5 | M15*1 | 4 | 13.5 | 17 |
| in | 0.7874 | 1.1024 | 0.1378 | | 0.1575 | 0.5315 | 0.6693 |

| Sum up(总结) | |
|-----------------------------|---|
| Series(系列) | B |
| Shell style/model (外壳样式/型号) | HGG:Fixed receptaCXe, nut fixing, watertight or vacuum-tight/固定插座, 螺母固定, 水密或真空密 |
| Button (按键) | A button(一个按键) |
| Termination type (终止类型) | Female print PCB(印刷PCB) |
| Line diameter awg(线材直径) | 34-28AWG |
| Cable diameterφ (电缆直径) | 0-0 |
| Match plug(匹配插头) | TGG.2B.P32.CXAD52H |

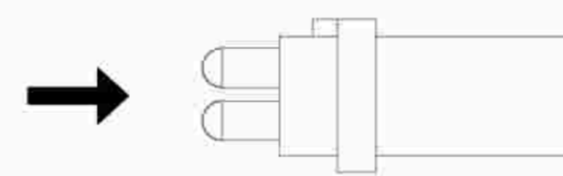


Pcb plate opening size (PCB板开孔尺寸)

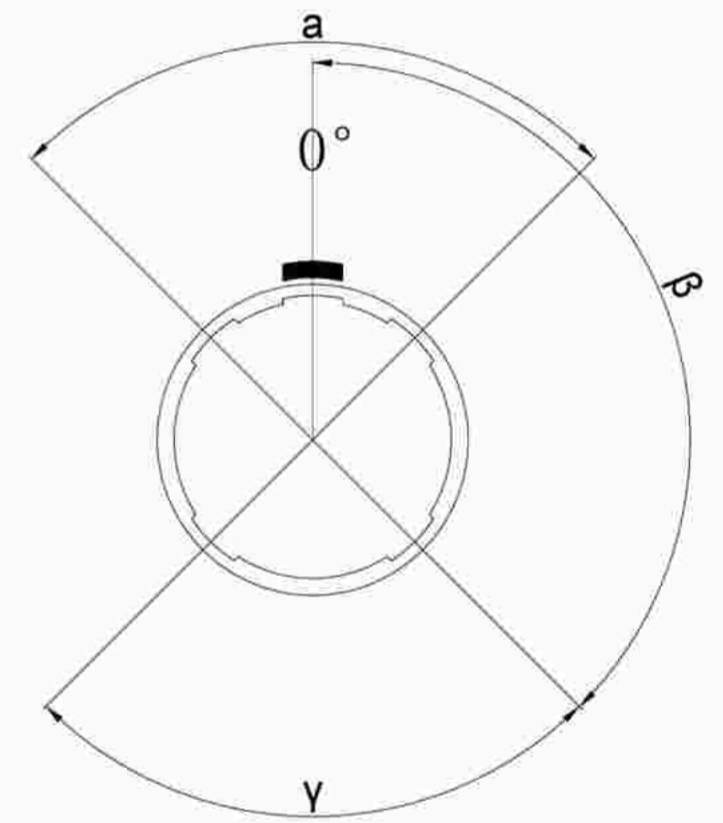


Pane hole size (面板开孔尺寸)

| Location pin combination(定位销组合) | | | |
|---------------------------------|-----------------------------------|-----------|-------------------------|
| (编号) Number | Number of positioning pins(定位销数量) | Angle(角度) | Series(系列)--2B |
| G | One(1) | | (Zero degrees)0° |
| A | Two(2) | A | Thirty degrees(30°) |
| B | Two(2) | | Forty-five degrees(45°) |
| C | Two(2) | | Sixty degrees(60°) |
| D | Two(2) | γ | 95 degrees (95°) |
| E | Two(2) | β | 120 degrees(120°) |
| F | Two(2) | | 145 degrees(145°) |
| J | Two(2) | A | 37.5degrees(37.5°) |
| K | Two(2) | | 52.5degrees(52.5°) |
| L | Two(2) | γ | Seventy degrees(70°) |



Boarded mother adhesive core (板接型母胶芯)



Positive view of the socket (插座正视图)

HG G.2B.P32.C X N

- Model(型号)
- Positioning pin(定位销)
- Series(系列)
- Needle core configuration(针芯配置)
- Outer casing(外壳)
- Insulator(绝缘体)
- Needle core(针芯)

| | A | B | C√ | ANGLE | |
|--------|--------|--------|--------|---------|-------|
| 5-10 | ±0.02 | ±0.05 | ±0.1 | 0°-30° | ±0.1° |
| 50-100 | ±0.1 | ±0.15 | ±0.2 | 61°-90° | ±0.5° |
| 50-100 | ±0.15 | ±0.2 | ±0.25 | | |
| 100- | ±0.15% | ±0.20% | ±0.25% | | |

DESIGNED(设计)
广东星坤科技股份有限公司
 CHECKED(校对)
 APPROVED(审核)
 日期
REVISIONS
 文件工程章
 www.helloxkb.com www.helloxkb.cn

| | | | |
|----------|---------------|----------|---------------------------|
| DATE(日期) | SCALE(比额) | N/A(不适用) | MODEL TYPE |
| DATE(日期) | VIEW(视图) | | 型号类型: HGG.2B.P32.CXN |
| DATE(日期) | UNIT(单位) | MM | PART NO. 2B32 core socket |
| | MATERIAL (材料) | | 名称: 2B32芯插座 |
| | | | DWG NO.: |
| | | | WEIGHT(重量) |
| | | | SHEET(表) |
| | | | REVISION(修订) |
| | | | 1/1 |
| | | | A0 |