

SUBCON 15/F-SH - D-SUB bus connector



2761596

<https://www.phoenixcontact.com/us/products/2761596>

Please be informed that the data shown in this PDF document is generated from our online catalog. Please find the complete data in the user documentation. Our general terms of use for downloads are valid.

D-SUB connector, 15-pos. socket, one 35° cable outlet, universal type for all systems, pin assignment: 1, 2, 3, ..., 14, 15 to screw connection terminal block



Product description

The range covers SUBCON plugs for point-to-point connections with a cable infeed in 9, 15 and 25-pos. male or female versions. The optional fastening screw SUBCON-SHORT-SCREW is available as an accessory for narrow installation conditions. The screw is completely integrated into the housing by not having a knurl.

Your advantages

- Easy assembly thanks to knurled screws
- Flexibility in terms of cable entry selection
- Assembly under field conditions
- High level of EMC
- Can be used universally
- Change to the D-SUB orientation through a reversible connection block

Commercial data

Item number	2761596
Packing unit	1 pc
Minimum order quantity	1 pc
Sales key	DN10
Product key	DNC511
Catalog page	Page 451 (C-6-2019)
GTIN	4017918104818
Weight per piece (including packing)	79.2 g
Weight per piece (excluding packing)	67.1 g
Customs tariff number	85366990
Country of origin	DE

SUBCON 15/F-SH - D-SUB bus connector



2761596

<https://www.phoenixcontact.com/us/products/2761596>

Technical data

Notes

Note on application

Note on application	Only for industrial use
---------------------	-------------------------

Utilization restriction

CCCex note	Use in potentially explosive areas is not permitted in China.
------------	---

Product properties

Product type	Data plug
MTTF	6706 Years (SN 29500 standard, temperature 25°C, operating cycle 21%)
	1817 Years (SN 29500 standard, temperature 40°C, operating cycle 34.25%)
	155 Years (SN 29500 standard, temperature 40°C, operating cycle 100%)
Pin assignment	All connections are 1:1 on the screw terminal block

Electrical properties

Nominal voltage U_N	50 V DC
Nominal current I_N	100 mA
Transmission medium	Copper

Connection data

D-SUB connection

Connection method	D-SUB socket
-------------------	--------------

PCB connection

Connection method	Screw connection
Stripping length	5 mm
Conductor cross section, rigid min.	0.14 mm ²
Conductor cross section, rigid max.	1.5 mm ²
Conductor cross section flexible min.	0.14 mm ²
Conductor cross section flexible max.	1 mm ²
Single-wire/terminal point, rigid AWG min.	26
Single-wire/terminal point, rigid AWG max.	16
Min. AWG conductor cross section, flexible	26
Max. AWG conductor cross section, flexible	18

Interfaces

Signal	Modbus
--------	--------

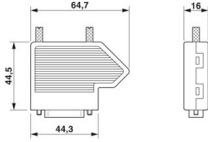
Dimensions

SUBCON 15/F-SH - D-SUB bus connector



2761596

<https://www.phoenixcontact.com/us/products/2761596>

Dimensional drawing	
Width	16 mm
Height	55 mm
Length	65 mm

Material specifications

Material (Housing)	ABS (metal-plated)
--------------------	--------------------

Cable/line

External cable diameter	4 mm ... 10 mm (Incoming bus line)
-------------------------	------------------------------------

Mechanical properties

Mechanical data

Insertion/withdrawal cycles	> 200
-----------------------------	-------

Environmental and real-life conditions

Ambient conditions

Degree of protection	IP20
Ambient temperature (operation)	-20 °C ... 75 °C
Ambient temperature (storage/transport)	-25 °C ... 80 °C
Altitude	≤ 5000 m (For restrictions, see the manufacturer's declaration for altitude operation)
Permissible humidity (operation)	10 % ... 95 % (non-condensing)
Permissible humidity (storage/transport)	5 % ... 95 % (non-condensing)

Approvals

ATEX

Identification	⊕ II 3 G Ex ec IIC T4 Gc
Certificate	PxCIF15ATEX2761499X
Note	Please follow the special installation instructions in the documentation!

UKEX

Identification	⊕ II 3 G Ex ec IIC T4 Gc
Certificate	PxCIMA22UKEX2761499X

Corrosive gas test

Identification	ISA-S71.04-1985 G3 Harsh Group A
----------------	----------------------------------

Standards and regulations

Free from substances that could impair the application of coating	VDMA 24364:2018-05
---	--------------------

SUBCON 15/F-SH - D-SUB bus connector

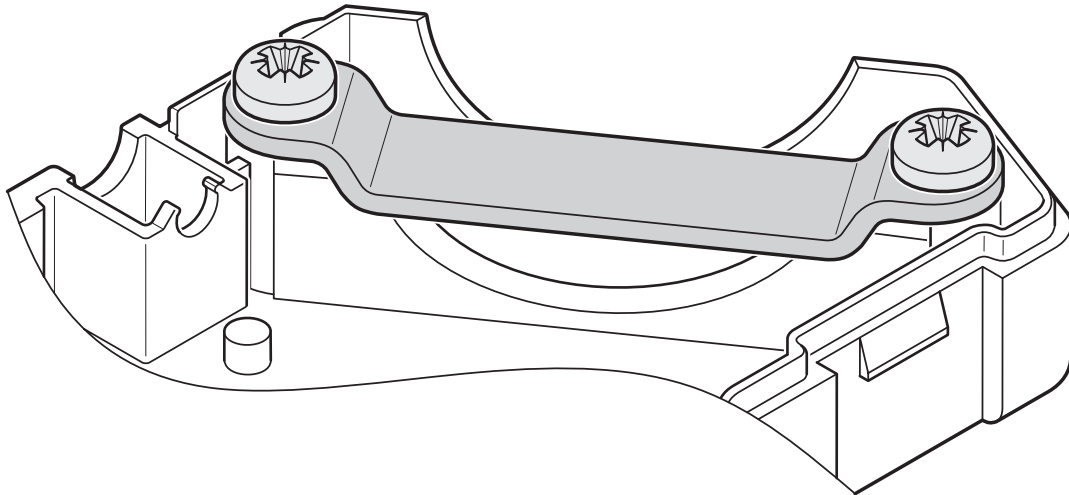


2761596

<https://www.phoenixcontact.com/us/products/2761596>

Drawings

Schematic diagram



Clip bracket

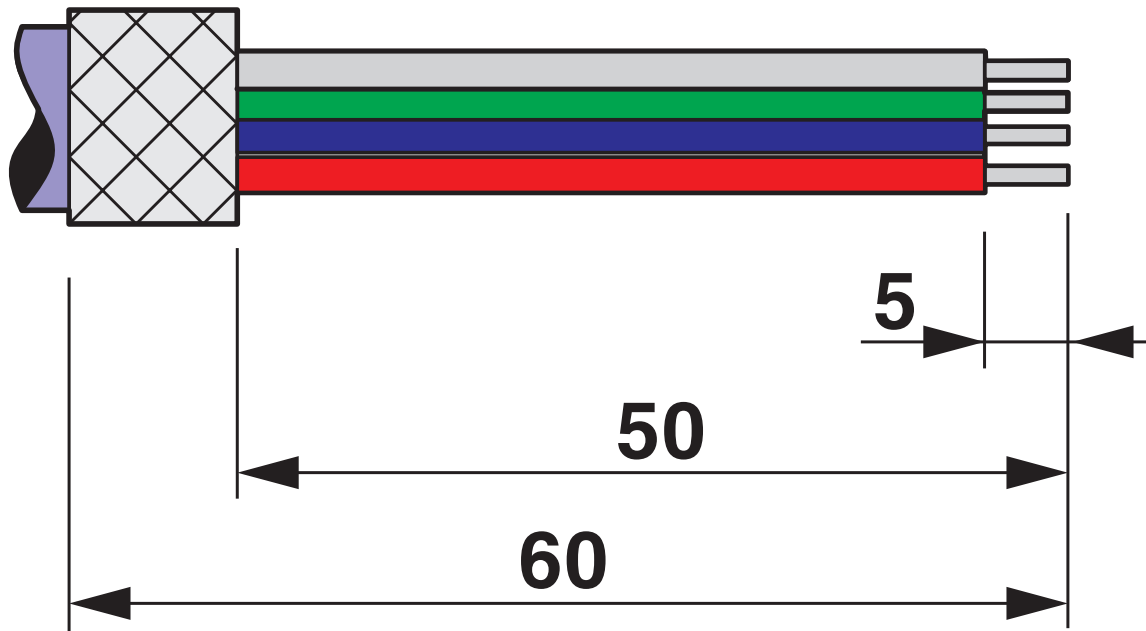
SUBCON 15/F-SH - D-SUB bus connector



2761596

<https://www.phoenixcontact.com/us/products/2761596>

Schematic diagram



Stripping specifications

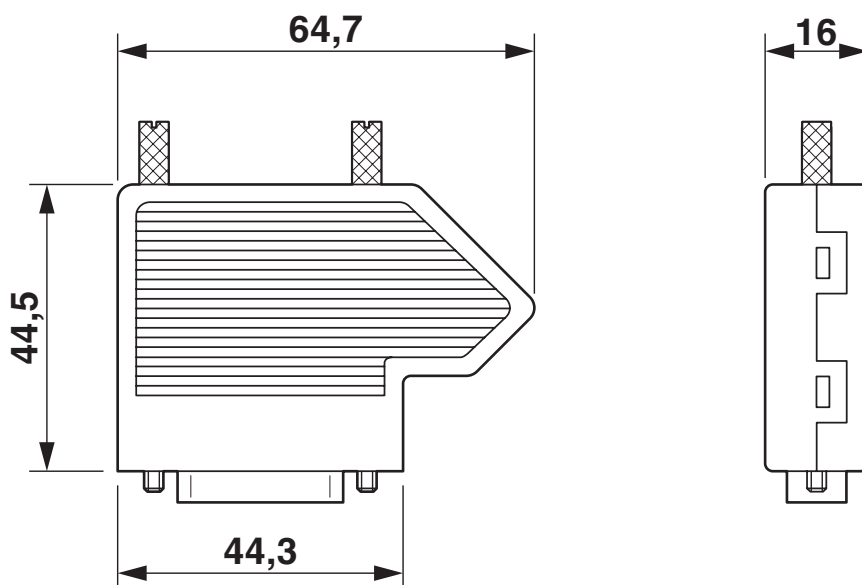
SUBCON 15/F-SH - D-SUB bus connector

2761596

<https://www.phoenixcontact.com/us/products/2761596>



Dimensional drawing

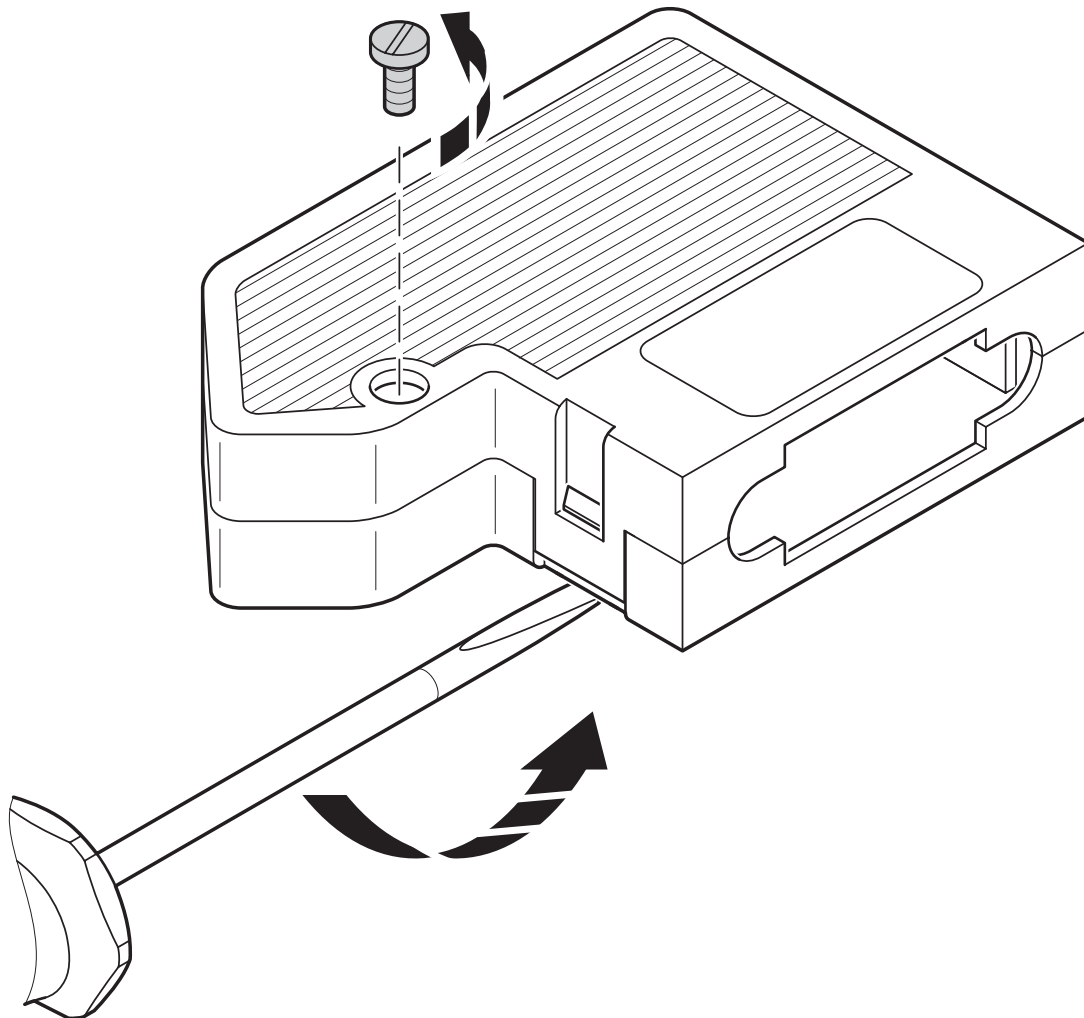


SUBCON 15/F-SH - D-SUB bus connector

2761596

<https://www.phoenixcontact.com/us/products/2761596>

Schematic diagram



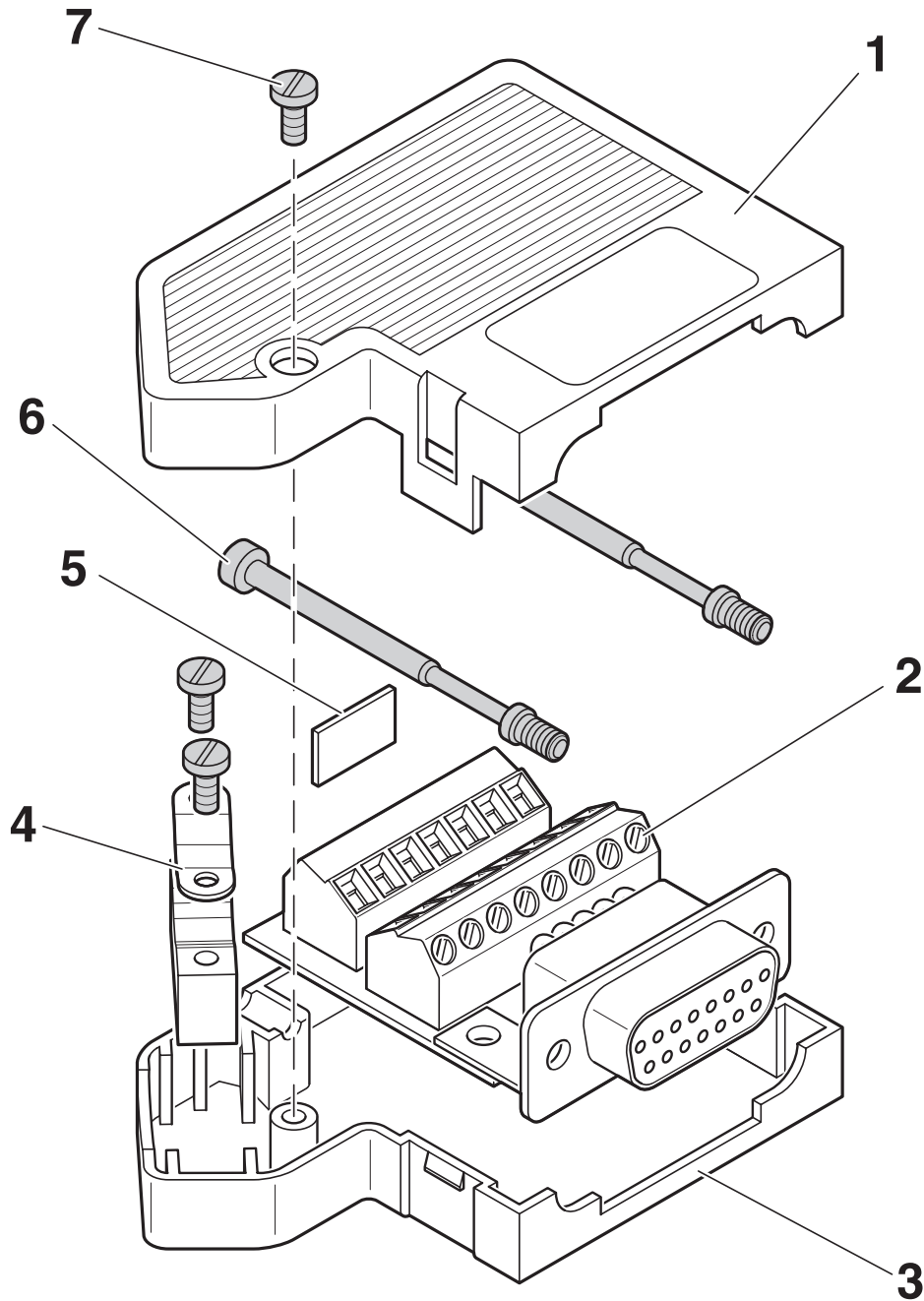
Opening the housing

SUBCON 15/F-SH - D-SUB bus connector

2761596

<https://www.phoenixcontact.com/us/products/2761596>

Schematic diagram



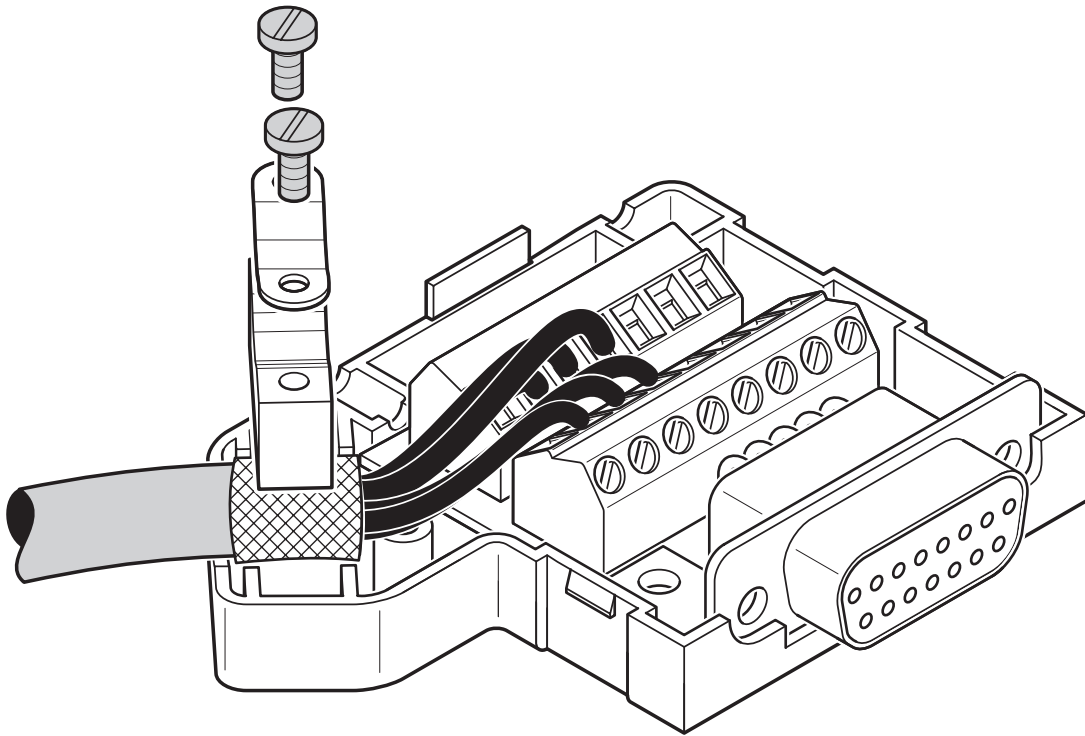
Function elements

SUBCON 15/F-SH - D-SUB bus connector

2761596

<https://www.phoenixcontact.com/us/products/2761596>

Schematic diagram



Connection of the cables

SUBCON 15/F-SH - D-SUB bus connector



2761596

<https://www.phoenixcontact.com/us/products/2761596>

Approvals

To download certificates, visit the product detail page: <https://www.phoenixcontact.com/us/products/2761596>



cUL Recognized

Approval ID: E238705



UL Recognized

Approval ID: E238705



CSA

Approval ID: 2437602

cULus Recognized

SUBCON 15/F-SH - D-SUB bus connector



2761596

<https://www.phoenixcontact.com/us/products/2761596>

Classifications

ECLASS

ECLASS-11.0	27440302
ECLASS-13.0	27440302
ECLASS-12.0	27440302

ETIM

ETIM 9.0	EC001132
----------	----------

UNSPSC

UNSPSC 21.0	39121400
-------------	----------

SUBCON 15/F-SH - D-SUB bus connector



2761596

<https://www.phoenixcontact.com/us/products/2761596>

Environmental product compliance

EU RoHS

Fulfills EU RoHS substance requirements	Yes, No exemptions
---	--------------------

China RoHS

Environment friendly use period (EFUP)	EFUP-E
	No hazardous substances above the limits

EU REACH SVHC

REACH candidate substance (CAS No.)	No substance above 0.1 wt%
-------------------------------------	----------------------------

Phoenix Contact 2024 © - all rights reserved
<https://www.phoenixcontact.com>

Phoenix Contact USA
586 Fulling Mill Road
Middletown, PA 17057, United States
(+717) 944-1300
info@phoenixcon.com