

FUSES & FUSEHOLDERS

5x20mm Semi-enclosed PCB Mounting 15mm Pitch Fuseholders

PCB
TERMINAL
BLOCKS

INTER-
CONNECTION

FUSES &
FUSE-
HOLDERS

LEDs &
INDICATORS

MINIATURE
SWITCHES

LIMIT &
SAFETY
SWITCHES

CONTROL
PRODUCTS

INTERFACE
MODULES &
SUPPORTS

RELAY
BASES

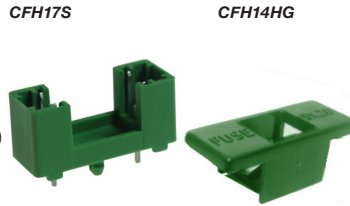
DIN RAIL
ENCLOSURES

BATTERIES

SOLAR
PANELS

TRANS-
FORMERS

- PCB mounting
- Fuse retaining insulation cover
- Enclosed contacts
- 15mm pitch
- Moulded in Green UL94-V0 retardant PA
- EN60127
- approved

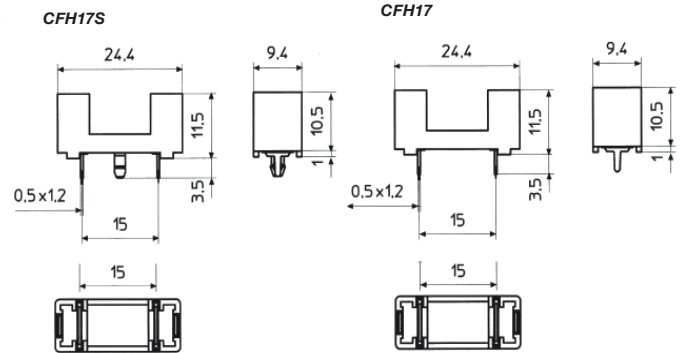


TYPE NO.

CFH17S	With spigot
CFH17	No spigot
CFH14HB	Cover (Black)
CFH14HG	Cover (Green)

SPECIFICATION

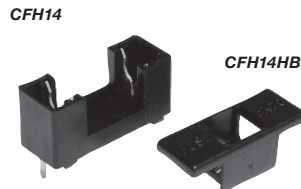
Rating	6.3A/ 250V
Contacts/Resistance	Tinned, nickel plated Brass, <5mΩ
Moulding	UL94-V0 flame retardant PA
Dielectric strength	3kV / 60"
Power dissipation	1.6W
Recommended PCB hole size	1.5mm
Insulation Resistance	100MΩ



Recommended spigot hole 2.6mm

5x20mm Semi-enclosed PCB Mounting 22.6mm Pitch Fuseholders

- PCB mounting
- Fuse retaining insulation cover
- Enclosed contacts
- 22.6mm pitch
- Moulded in UL94-V0 retardant PA
- EN60127
- approved

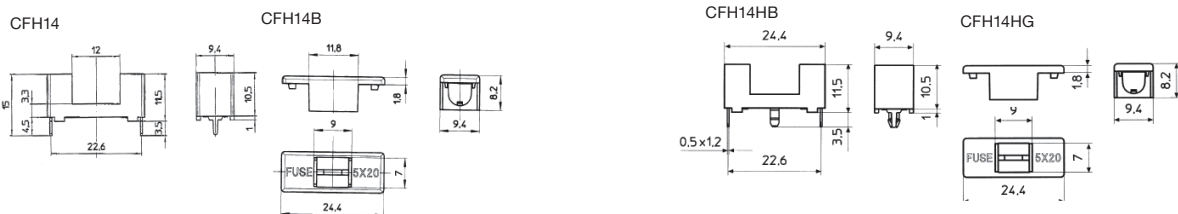


TYPE NO.

CFH14	No spigot
CFH14S	With spigot
CFH14HB	Cover (Black)
CFH14HG	Cover (Green)

SPECIFICATION

Rating	6.3A/ 250V
Contacts/Resistance	Tinned, nickel plated Brass, <5mΩ
Moulding	Black UL94-V0 flame retardant PA CFH14 Green UL94-V0 flame retardant PA CFH14S
Dielectric strength	3kV / 60"
Power dissipation	1.6W
Recommended PCB hole size	1.5mm
Insulation Resistance	100MΩ



Recommended spigot hole 2.6mm