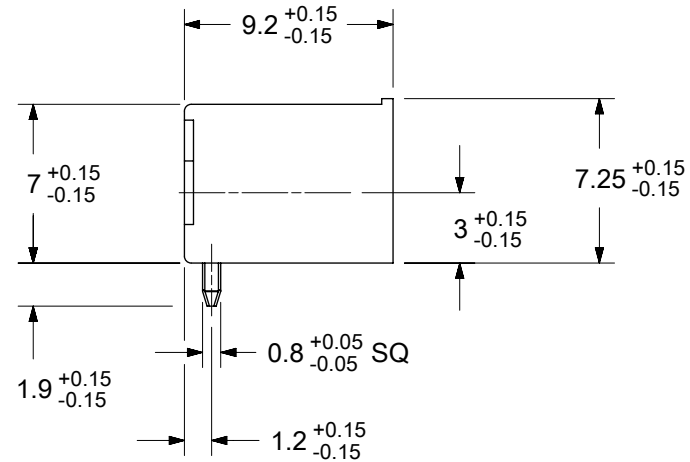
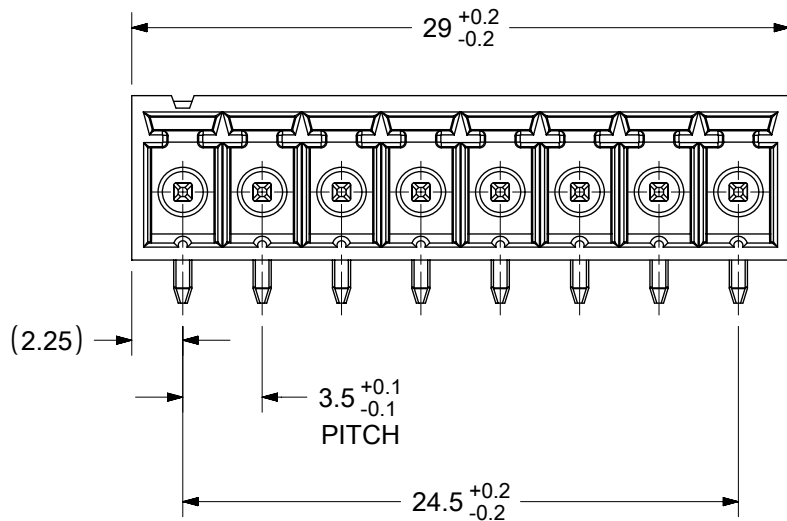


PCB LAYOUT



SPECIFICATIONS

MATERIAL:

- 1. HOUSING: PA46 GF UL94V-0: COLOR: GREEN
- 2. TERMINAL: TIN PLATED COPPER ALLOY

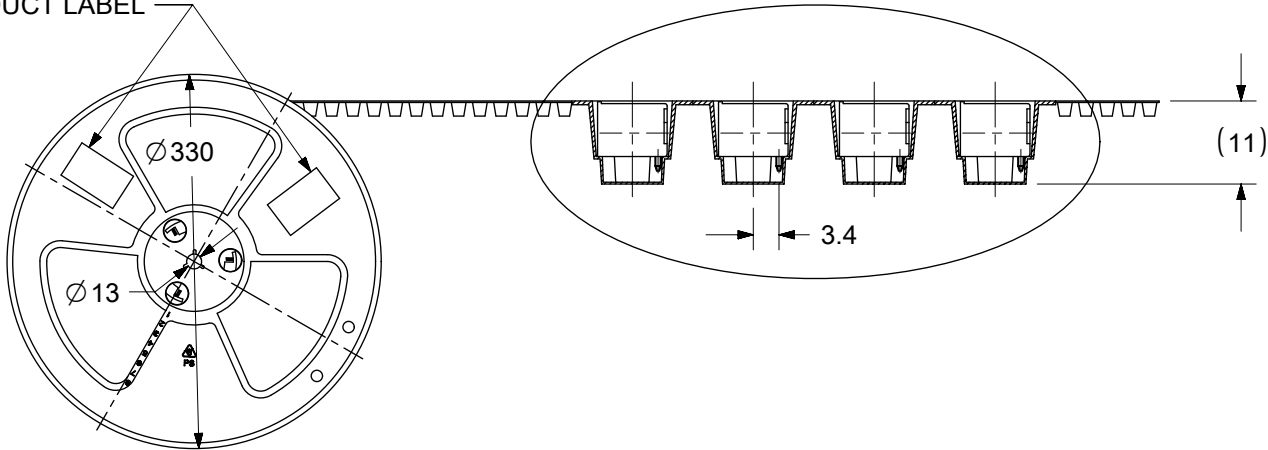
ELECTRICAL RATINGS:

- 1. MAXIMUM VOLTAGE: 300V (PER UL)
- 2. MAXIMUM CURRENT: 11A (PER UL)

FUNCTIONAL SYMBOLS	THIS DRAWING CONTAINS INFORMATION THAT IS PROPRIETARY TO MOLEX ELECTRONIC TECHNOLOGIES, LLC AND SHOULD NOT BE USED WITHOUT WRITTEN PERMISSION											
	△/A = 0	DIMENSION UNITS	SCALE	CURRENT REV DESC: INITIAL RELEASE								
	△/E = 0	mm	3:1	GENERAL TOLERANCES (UNLESS SPECIFIED)			EC NO: 645226					
	△/P = 0	ANGULAR TOL ± °		4 PLACES ± ---			DRWN: ABENJAMINLW 2020/07/13					
DIVISIONAL SYMBOLS	3 PLACES ± ---			CHK'D: DACHAMMER 2020/09/10			PRODUCT CUSTOMER DRAWING					
	2 PLACES ± ---			APPR: JFMURPHY 2020/10/19			DOCUMENT NUMBER		DOC TYPE	DOC PART	REVISION	
	1 PLACE ± ---			INITIAL REVISION:			395023008		PSD	000	A	
	0 PLACES ± ---			DRWN: ABENJAMINLW 2020/07/13			MATERIAL NUMBER		CUSTOMER		SHEET NUMBER	
DRAFT WHERE APPLICABLE MUST REMAIN WITHIN DIMENSIONS			THIRD ANGLE PROJECTION		DRAWING	SERIES	39502		395023008			
					A-SIZE	39502				1 OF 2		

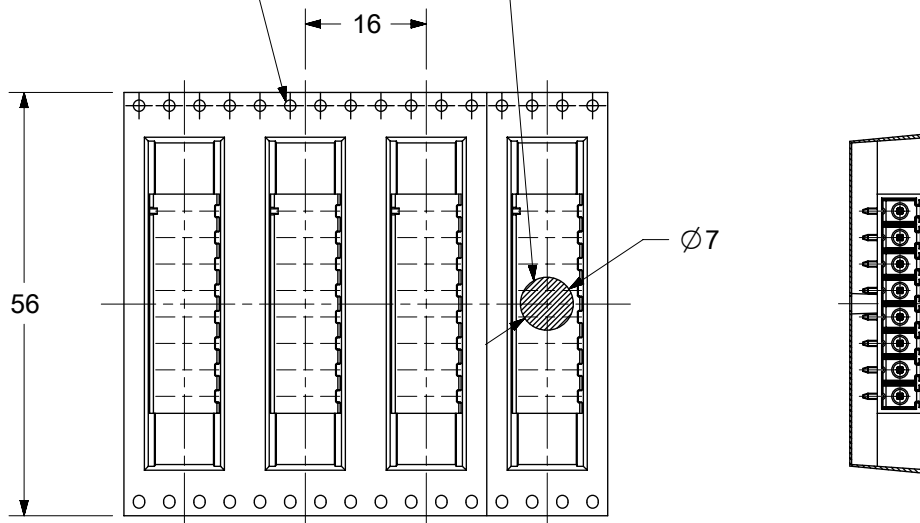
DOCUMENT STATUS	P1	RELEASE DATE	2020/10/19	17:06:26
-----------------	----	--------------	------------	----------

PRODUCT LABEL



TAPE & REEL PACKAGING DETAILS

SPROCKET HOLES PICK & PLACE AREA



FUNCTIONAL SYMBOLS $\frac{E}{A} = 0$ $\frac{E}{C} = 0$ $\frac{E}{P} = 0$ DIVISIONAL SYMBOLS	THIS DRAWING CONTAINS INFORMATION THAT IS PROPRIETARY TO MOLEX ELECTRONIC TECHNOLOGIES, LLC AND SHOULD NOT BE USED WITHOUT WRITTEN PERMISSION		CURRENT REV DESC: INITIAL RELEASE				
	DIMENSION UNITS	SCALE	EC NO: 645226				
	GENERAL TOLERANCES (UNLESS SPECIFIED)		DRWN: ABENJAMINLW 2020/07/13		PRODUCT CUSTOMER DRAWING		
	ANGULAR TOL ± °		CHK'D: DACHAMMER 2020/09/10				
4 PLACES ± ---		APPR: JFMURPHY 2020/10/19		INITIAL REVISION: DRWN: ABENJAMINLW 2020/07/13 APPR: JFMURPHY 2020/10/19			
3 PLACES ± ---		DRAFT WHERE APPLICABLE MUST REMAIN WITHIN DIMENSIONS					THIRD ANGLE PROJECTION
2 PLACES ± ---		DRAFTING		SERIES: A-SIZE 39502			
1 PLACE ± ---		MATERIAL NUMBER					CUSTOMER: 395023008
0 PLACES ± ---		SHEET NUMBER		2 OF 2			