



MAG-MATE

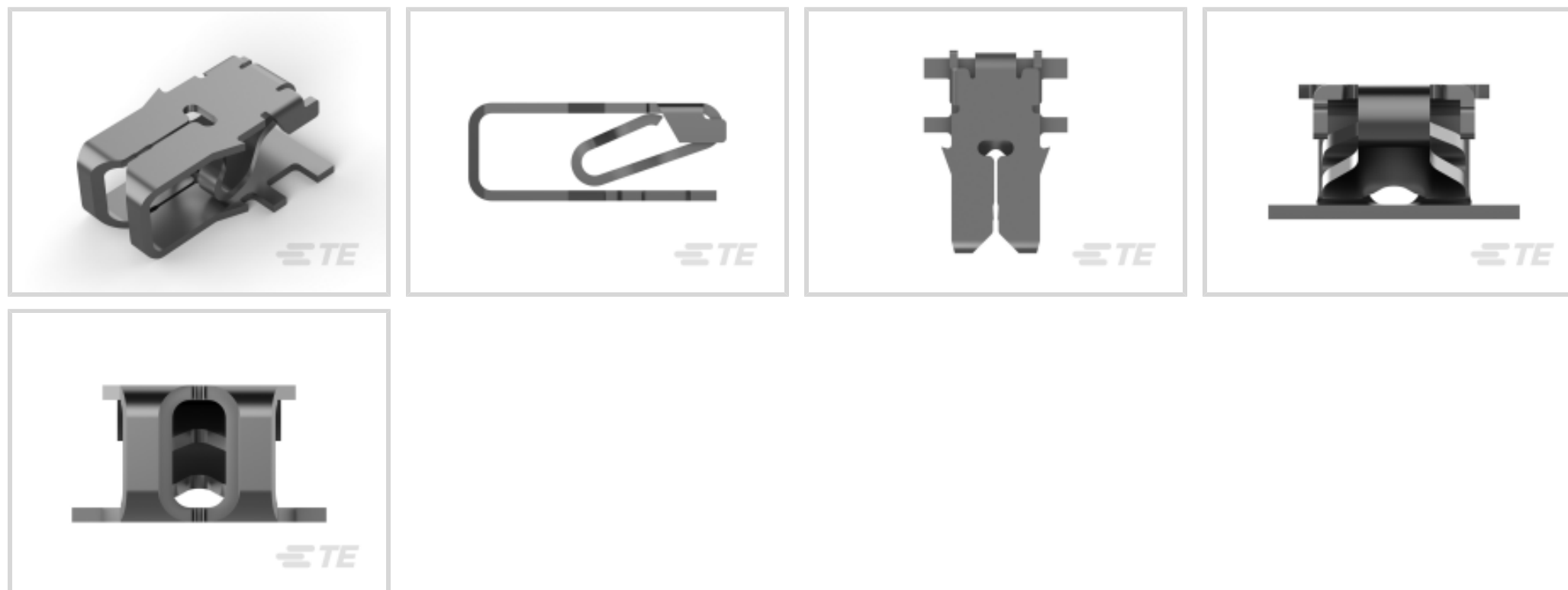
TE Internal #: 964338-2

Leaf, Mating Tab Width 3.4 mm [.134 in], Size 2, .27 – .4 mm

Magnet Wire, 30 – 26 AWG Magnet Wire, MAG-MATE, Magnet Wire Terminals

[View on TE.com >](#)

Terminals & Splices > Magnet Wire Terminals



Magnet Wire Terminal Type: **Leaf**

Mating Tab Width: **3.4 mm [.134 in]**

Mating Tab Thickness: **.5 mm [.02 in]**

Compatible With Cavity Size: **Size 2**

Magnet Wire Size: **30 – 26 AWG**

Features

Product Type Features

Compatible With Discrete Wire Type	Magnet Wire, Solid
------------------------------------	--------------------

Body Features

Compatible With Cavity Size	Size 2
-----------------------------	--------

Contact Features

Magnet Wire Terminal Type	Leaf
Mating Tab Width	3.4 mm [.134 in]
Mating Tab Thickness	.5 mm [.02 in]
Terminal Plating Material	Tin
Terminal Orientation	Twisted

Termination Features

Termination Method to Wire & Cable	Insulation Displacement (IDC)
------------------------------------	-------------------------------

Dimensions

Terminal Height	7.6 mm [.3 in]
-----------------	----------------



Magnet Wire Size	.27 – .4 mm
Stock Thickness (Magnet Wire Side)	.25 mm[.01 in]
Product Length	7.9 mm[.311 in]

Usage Conditions

Insulation Option	Uninsulated
Operating Temperature Range	-65 – 150 °C[-85 – 302 °F]

Operation/Application

Compatible With Wire Base Material	Copper
------------------------------------	--------

Packaging Features

Packaging Quantity	10000
Packaging Method	Reeled with Interleaving Paper

Product Compliance

[For compliance documentation, visit the product page on TE.com>](#)

EU RoHS Directive 2011/65/EU	Compliant
EU ELV Directive 2000/53/EC	Compliant
China RoHS 2 Directive MIIT Order No 32, 2016	No Restricted Materials Above Threshold
EU REACH Regulation (EC) No. 1907/2006	Current ECHA Candidate List: JUNE 2024 (241) Candidate List Declared Against: JUNE 2024 (241) Does not contain REACH SVHC
Halogen Content	Low Halogen - Br, Cl, F, I < 900 ppm per homogenous material. Also BFR/CFR/PVC Free
Solder Process Capability	Not applicable for solder process capability

Product Compliance Disclaimer

This information is provided based on reasonable inquiry of our suppliers and represents our current actual knowledge based on the information they provided. This information is subject to change. The part numbers that TE has identified as EU RoHS compliant have a maximum concentration of 0.1% by weight in homogenous materials for lead, hexavalent chromium, mercury, PBB, PBDE, DBP, BBP, DEHP, DIBP, and 0.01% for cadmium, or qualify for an exemption to these limits as defined in the Annexes of Directive 2011/65/EU (RoHS2). Finished electrical and electronic equipment products will be CE marked as required by Directive 2011/65/EU. Components may not be CE marked. Additionally, the part numbers that TE has identified as EU ELV compliant have a maximum concentration of 0.1% by weight in homogenous materials for lead, hexavalent chromium, and mercury, and 0.01% for cadmium, or qualify for an exemption to these limits as defined in the Annexes of Directive 2000/53/EC (ELV). Regarding the REACH Regulation, the information TE provides on SVHC in articles for this part number is based on the latest European Chemicals Agency (ECHA) 'Guidance on requirements for substances in articles' posted at this URL: <https://echa.europa.eu/guidance-documents/guidance-on-reach>

Compatible Parts




TE Part # 926850-1
MAG MATE LEAF KONT



TE Part # 6-1579008-0
INSERTION TOOL

Also in the Series | MAG-MATE



Insertion & Extraction Tools(6)



Magnet Wire Terminals(337)



PCB Terminals(1)

Customers Also Bought



TE Part #1-968879-1
Timer Connector Housing



TE Part #9-1393239-8
RT314024



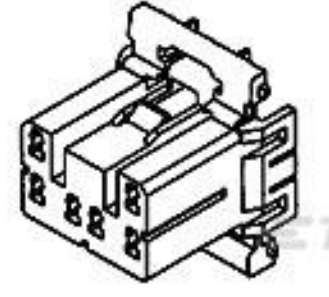
TE Part #350561-7
UMNL PIN 24-18 .0126 AU/NI/BR



TE Part #794272-1
03P UMNL WIRE SEAL



TE Part #1-2112780-9
18POS, MIXED, REC HSG, ASSY, SEALED



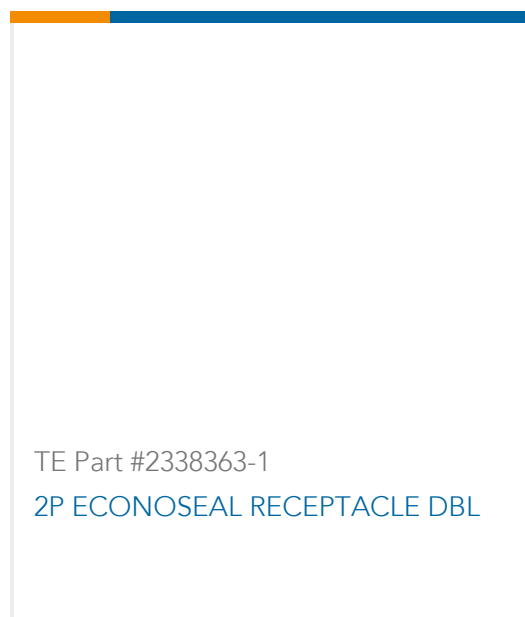
TE Part #174465-1
070 MULTILOCK 10P B DOUBLE



TE Part #1544333-1
LANGUETTE 8MM NG1



TE Part #347874-1
CABLE SEAL LC SILICON 0.5 T



Documents

Product Drawings

[MAG MATE LEAF KONT](#)

English

CAD Files

Customer View Model

[ENG_CVM_CVM_964338-2_C.2d_dxf.zip](#)

English

[3D PDF](#)

3D

Customer View Model

[ENG_CVM_CVM_964338-2_C.3d_igs.zip](#)

English

Customer View Model

[ENG_CVM_CVM_964338-2_C.3d_stp.zip](#)

English

By downloading the CAD file I accept and agree to the [Terms and Conditions](#) of use.

Datasheets & Catalog Pages

[Magnet Wire Terminals & Splices](#)

English

Product Specifications

[Application Specification](#)

English