

RAFIX 22 FS⁺ - Keylock switch, round collar

1.30.255.102/0000

Other lock variants available on request.



Included: 2 keys.

General information

| | |
|---------------------|-----------------|
| Color of front ring | silver metallic |
| Form of collar | round |

Dimensions

| | |
|----------------------|----------------------|
| Dimensions of collar | ø 29.8 mm |
| Overall height | 44.1 mm |
| Mounting depth | PCB 9.2 mm, QC 27 mm |
| Mounting hole | 22.3 mm |
| Key grid | 30 x 30 mm |
| Diameter of collar | 29.8 mm |

Mechanical design

| | |
|-----------------------------|------------|
| Mounting | ring nut |
| Contact function | momentary |
| Lock | Micromec |
| Illuminability | no |
| Wafers | 5 |
| Lock type | 001 |
| Number of locking positions | 500 |
| Main key | on request |
| Rotating angle | 2 x 40° |
| Key removal position | 0 |
| Torque for nut ring | 1.2 Nm |

Mechanical characteristics

| | |
|-------------|--------|
| Torque max. | 1.3 Nm |
|-------------|--------|

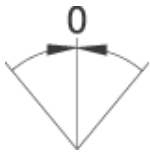
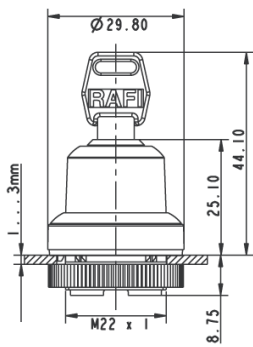
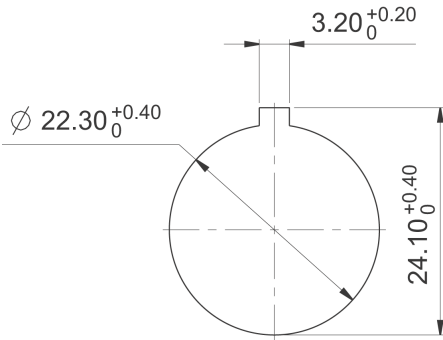
Other specifications

| | |
|--------------------------------------|---|
| Operating life | 300,000 momentary / 50,000 latching / 30,000 with key removal cycle |
| B10 | 400,000 momentary / 65,000 latching / 40,000 with key removal cycle |
| Degree of protection from front side | IP65 (DIN EN 60529) |
| Ambient temp. operating min. | -25 °C |
| Ambient temp. operating max. | +70 °C |
| Storage temperature min. | -40 °C |
| Storage temperature max. | +80 °C |

Technical data are approximate and intended solely for general orientation in the selection of a product.
Subject to modifications and errors. Images and other graphics may only be similar.
For more information, refer to www.rafi.de chapter Imprint / Data Protection.

| | |
|--------------------------------|--|
| Environmental resistance | acc. to IEC 60068-2-14, -30, -33 and -78 |
| ESD-strength lock / contact | 15 kV |
| ESD-strength key / front panel | 15 kV |
| Salt spray | IEC 600 68-2-11 |
| ROHS compliant | yes |
| REACH compliant | yes |

Panel cut-out to IEC 60947-5-1



Technical data are approximate and intended solely for general orientation in the selection of a product. Subject to modifications and errors. Images and other graphics may only be similar. For more information, refer to www.rafi.de chapter Imprint / Data Protection.