



ACHILLES

Instant-DevKit Starter Board SoM A10

+

Arria 10 SoC SoM

ACHILLES Instant-Development Kit provides to developers the best Out-Of-The box experience combining the Best-In Class compact hardware platform and the most efficient intuitive software environment.

The target markets are as wide as Automotive, Video Broadcast, Machine and Intelligent Vision, Industrial, Military, Test & Measurement and Medical.

DevKitInvasion



ATTILA

Arria 10 GX FMC IDK



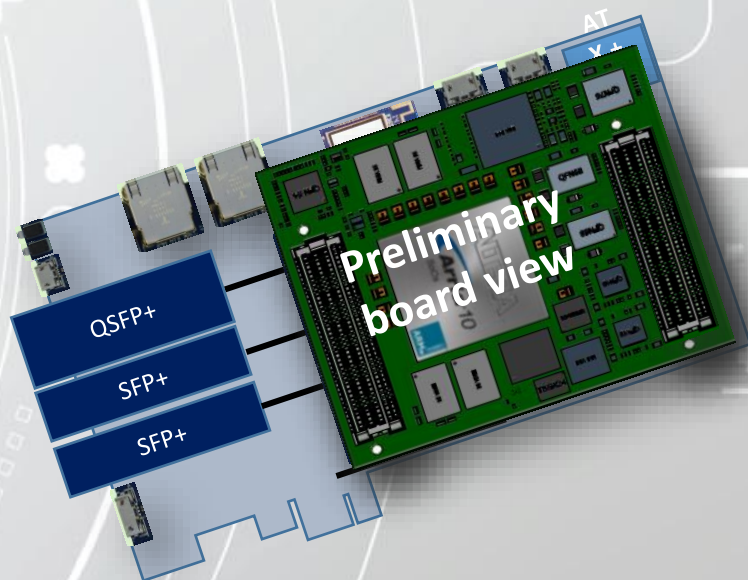
ALARIC

Arria 10 SoC FMC IDK



ACHILLES

Arria 10 SoC SoM IDK



preliminary
board view

Contact us :

ReFLEX CES Europe
Phone : +33(0) 1 169 870 255

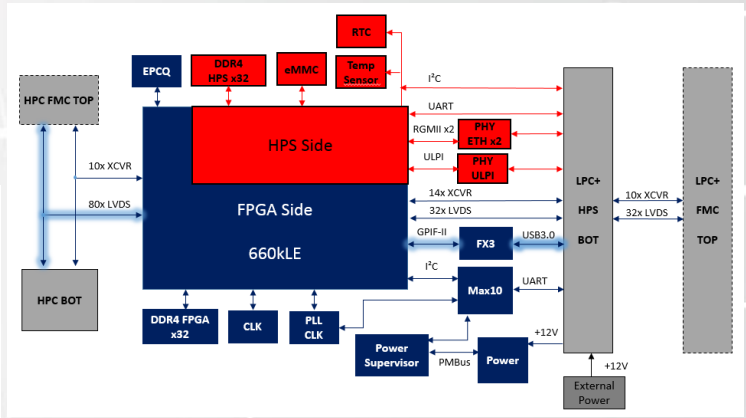
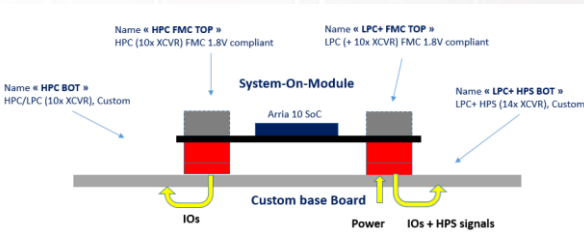
email : sales@reflexces.com
www.reflexcs.com

ReFLEX CES North America/AsiacPAC/Japan
Phone : +1 (408) 887 5981
email : salesusa@reflexces.com



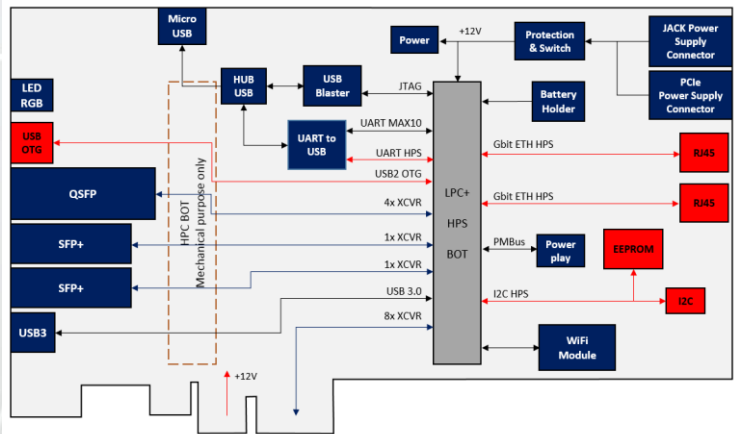
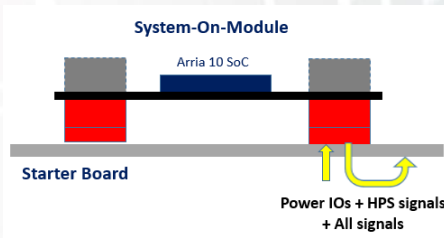
Arria 10 SoC SoM (System-On-Module) / "Ultra Version"

- Arria 10 SoC density 660 KLE, F34 package, speed grade -3
- 1 x FMC Low pin Count (LPC) 1.8V CMOS interfaces / VITA57.1 compatible
- 1 x FMC High pin Count (HPC) 1.8V CMOS interfaces / VITA57.1 compatible
- DDR4 HPS (1 bank by 32bit, 4GBytes) @1866MT/s for speed grade -3
- DDR4 FPGA (1 bank by 32bit, 4GBytes) @1866MT/s for speed grade -3
- eMMC 32GBytes (HPS)
- PCIe gen3 x8 Edge interface (Hard IP)
- Board programming : AS, CvP, OpenCL support
- Size : 85mm x 95mm
- 1 x Custom Heat Sink



Starter board

- Evaluation mode on desk with AC power supply or can be inserted into a PCIe slot and used as a PCIe carrier board
- Standard height (111.15 mm / 4.376 inches)) x Half length (167.65 mm / 6.600 inches) / Fan on top for Starter Kit evaluation mode
- 1 x QSFP+ quad optical cage (4 XCVR:10.3125 Gb/s per link) and 2x SFP+ single optical cage (2 XCVR : 10.3125 Gb/s per link)
- PCIe Edge connector for Gen3 x8 (64 Gb/s), 2x Ethernet 10/100/1000 Base-T (HPS), USB3.0 Micro B (FPGA), USB OTG Mini AB (HPS)
- i²C (HPS), UART(HPS) and System Controller interface (through USB connector and Max 10)
- WiFi module IEEE 802.11b/g compliant
- On-board USB Blaster II (AS and CvP programming are available)
- PMBus interface : Digital Power System management is ready, configure and interrogate the PSM Devices with LTpowerPlay



Kit Ordering Information

Version

- Development Kit

Part number

RXCA10S066PF34-IDK0SA

Kit content

- Power adaptater (US, UK, EU, JP) , cables (USB, Ethernet)
- Starter board A10 SoC SoM
- Arria 10 SoC SoM « Ultra » version
- Starter Guide, Reference Manual
- ReFLEX CES innovative software interface (GUI)
- Test Designs (Quartus II Projects), Mechanical drawings
- Schematics (pdf), assembly files (pdf), Base board guidelines

Contact us :

ReFLEX CES Europe
Phone : +33(0) 1 169 870 255

email : sales@reflexces.com
www.reflexcs.com

ReFLEX CES North America/AsiacPAC/Japan
Phone : +1 (408) 887 5981
email : salesusa@reflexces.com