

# L42 / SML42



## Thin Film Limiter Module 50 to 4000 MHz

Rev. V2

### Features

- VERY WIDE BANDWIDTH
- GOOD SUPPRESSION OF EVEN ORDER HARMONICS
- LOW INSERTION LOSS: 3.5 dB (TYP.)

### Description

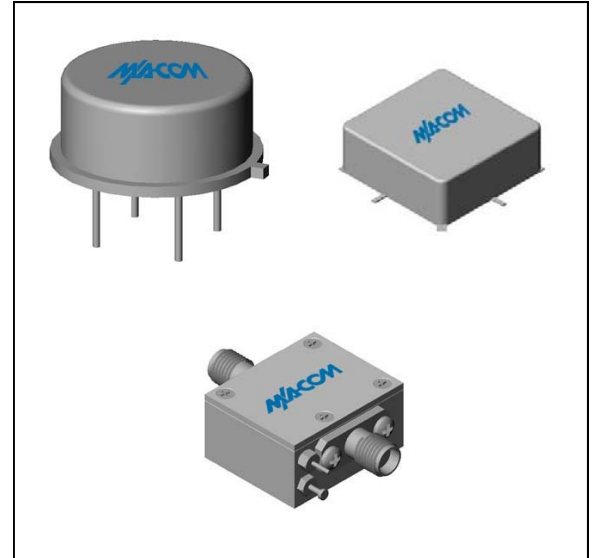
The L42 signal limiter is a discrete hybrid design, which uses thin film manufacturing processes for accurate performance and high reliability. This design uses Schottky bridge quad and anti-parallel diodes, which provide consistent limiting levels over a broadband frequency range. Both TO-8 and SMT0-8 packages are hermetically sealed, and MIL-STD-883 environmental screening is available.

### Ordering Information

Part Number	Package
L42	TO-8
SML42	Surface Mount
CL42 **	SMA Connectorized

\*\* The connectorized version is not RoHs compliant.

### Product Image



### Electrical Specifications: $Z_0 = 50\Omega$ , $V_{CC} = +15 V_{DC}$

Parameter	Units	Typical	Guaranteed	
		25°C	0° to 50°C	-54° to +85°C*
Frequency (min)	MHz	5-4000	50-4000	50-4000
Insertion Loss @ $P_{IN} \leq -20$ dBm (max.)	50-3000 MHz	3.5	4.5	5.0
	3000-4000 MHz	4.0	5.0	6.0
Input VSWR (max.) $P_{IN} \leq -10$ dBm, $+10 \leq \text{Bias} \leq +20 V_{dc}$		1.6:1	1.9:1	2.1:1
Output VSWR (max.) $P_{IN} \leq -10$ dBm, $+10 \leq \text{Bias} \leq +20 V_{dc}$		2.0:1	2.3:1	2.5:1
Output Limiting Level @ $P_{IN} = +20$ dBm (max.) $+15 \leq \text{Bias} \leq +20 V_{dc}$	50-2000 MHz	2.5	4.0	4.5
	2000-4000 MHz	6.5	7.0	7.5
Bias Current (max.)	@ +20 Vdc	8.5	9.0	10.0
	@ +15 Vdc	7.0		
	@ +10 Vdc	4.0		

\* Over temperature performance limits for part number CL42, guaranteed from 0°C to +50°C only.

### Absolute Maximum Ratings

Parameter	Absolute Maximum
Storage Temperature	-62°C to +125°C
Case Temperature	+125°C
DC Voltage	+25 V
Continuous Input Power	+20 dBm
Short Term Input power (1 minute max.)	400 mW
Peak Power (3 $\mu$ sec max.)	1 W
"S" Series Burn-In Temperature (case)	+125°C

### Limiting and Insertion Loss Characteristics at +25°C

Bias Voltage	Output Level at Limiting Threshold (1 dB comp.)		
	1000 MHz	Typical 2500 MHz	4000 MHz
+20 Volts	-1.0 dBm	-2.5 dBm	-6.0 dBm
+15 Volts	-2.0 dBm	-4.0 dBm	-6.2 dBm
+10 Volts	-5.5 dBm	-7.0 dBm	-7.8 dBm
+5 Volts	-12.0 dBm	-13.8 dBm	-12.0 dBm

1

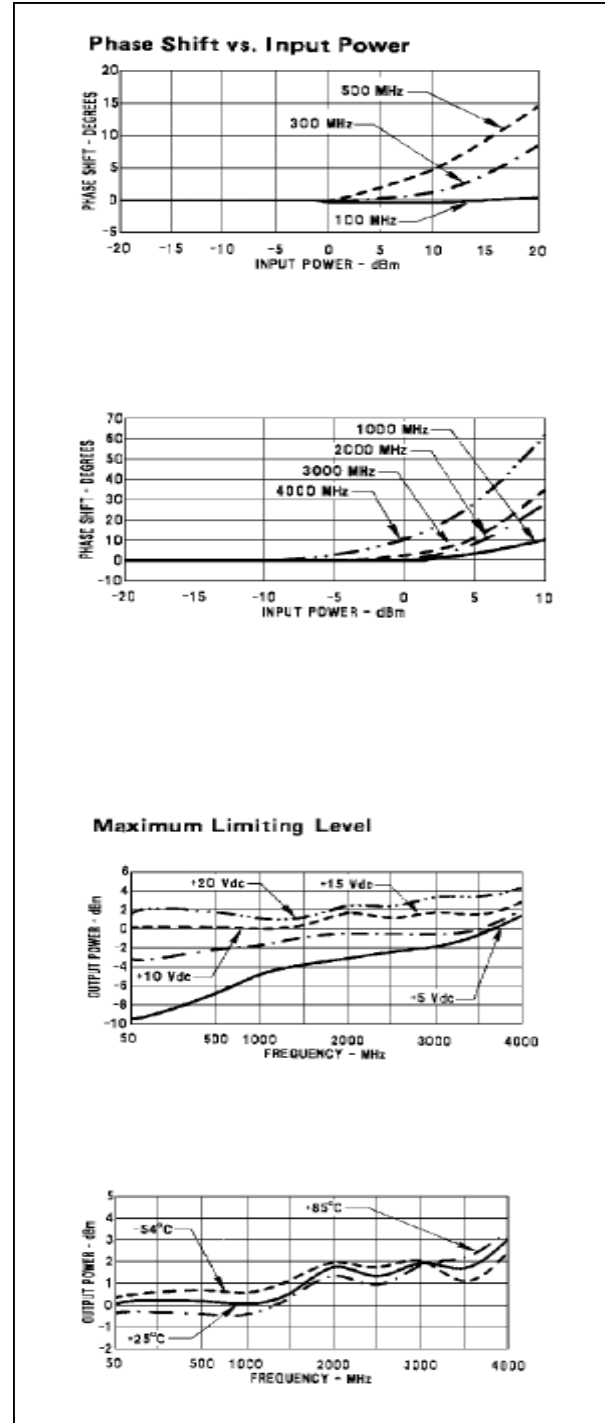
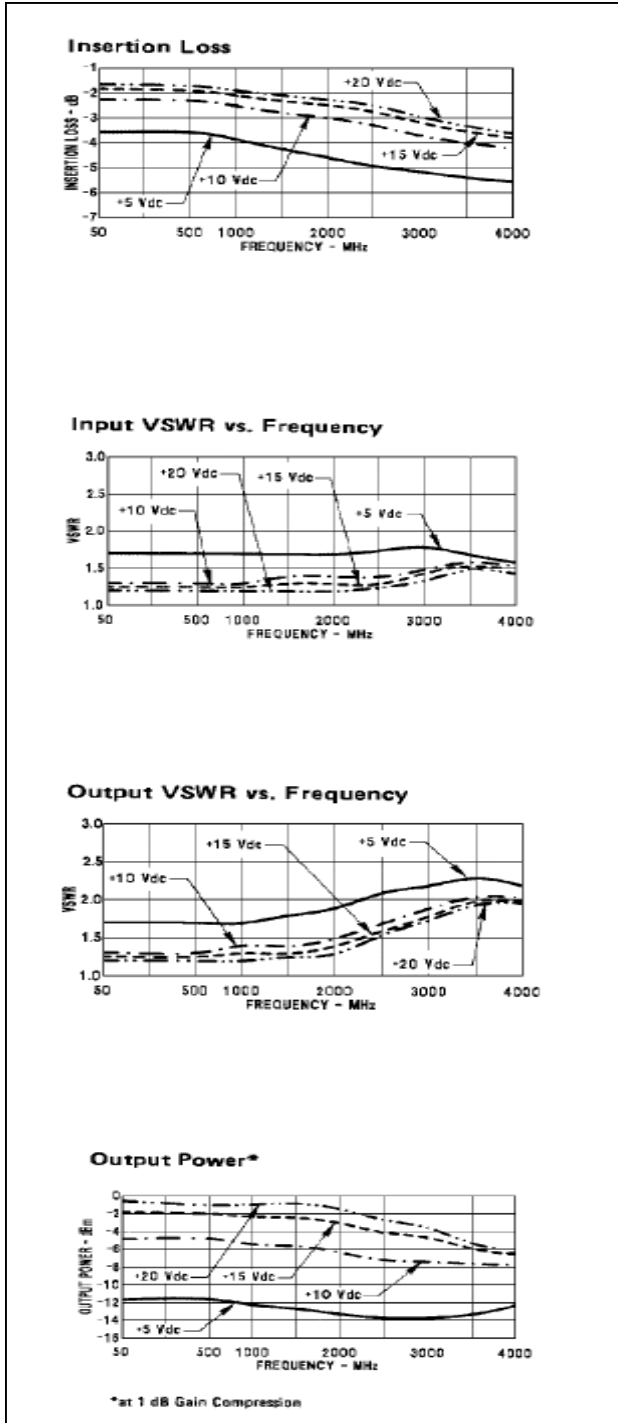
**ADVANCED:** Data Sheets contain information regarding a product M/A-COM Technology Solutions is considering for development. Performance is based on target specifications, simulated results, and/or prototype measurements. Commitment to develop is not guaranteed.

**PRELIMINARY:** Data Sheets contain information regarding a product M/A-COM Technology Solutions has under development. Performance is based on engineering tests. Specifications are typical. Mechanical outline has been fixed. Engineering samples and/or test data may be available. Commitment to produce in volume is not guaranteed.

• **North America** Tel: 800.366.2266 • **Europe** Tel: +353.21.244.6400  
 • **India** Tel: +91.80.4155721 • **China** Tel: +86.21.2407.1588  
 Visit [www.macomtech.com](http://www.macomtech.com) for additional data sheets and product information.

M/A-COM Technology Solutions Inc. and its affiliates reserve the right to make changes to the product(s) or information contained herein without notice.

## Typical Performance Curves at +25°C



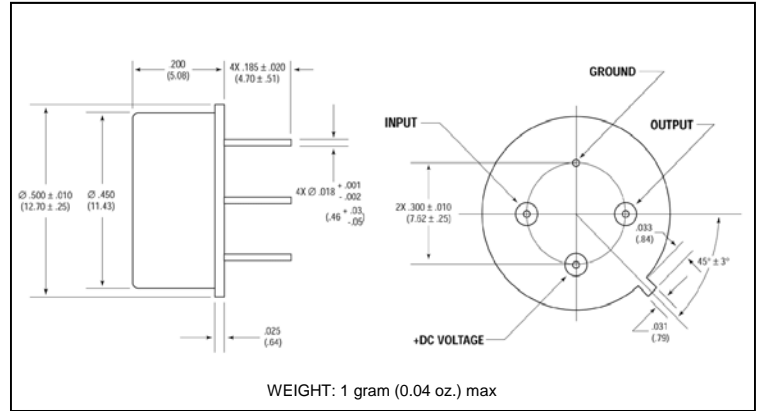
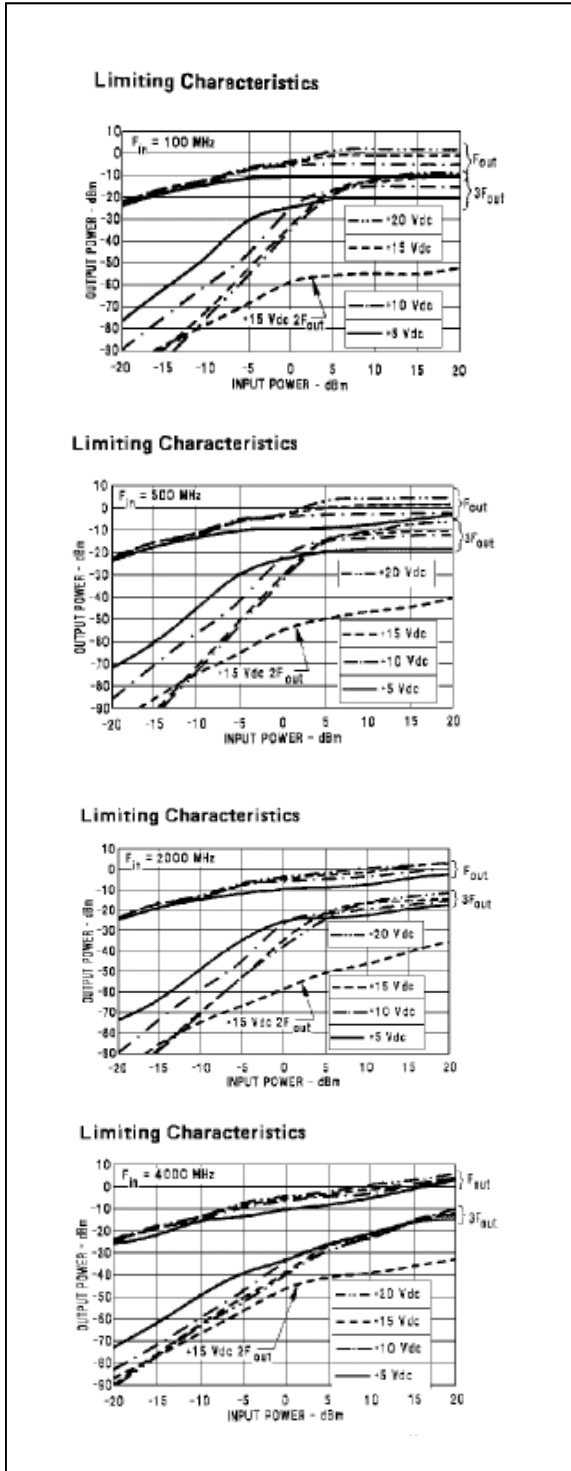
# L42 / SML42

Thin Film Limiter Module  
50 to 4000 MHz

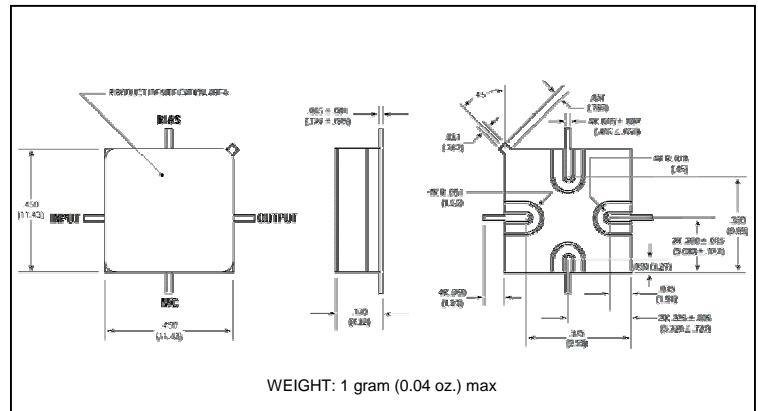
Rev. V2

## Typical Performance Curves at +25°C

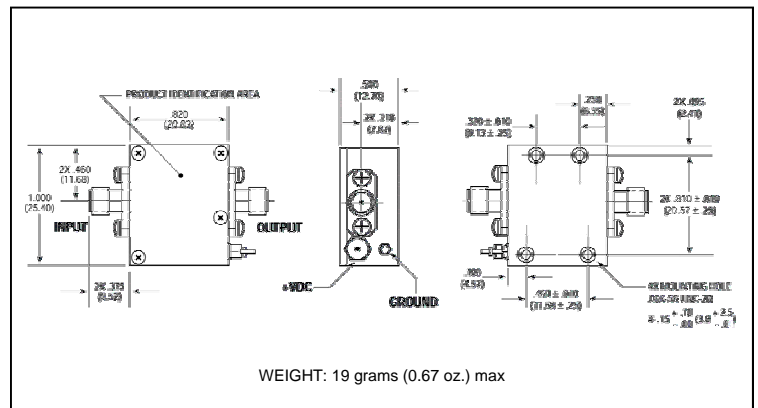
## Outline Drawing: TO-8 \*



## Outline Drawing: Surface Mount \*



## Outline Drawing: SMA Connectorized \*



\* Dimensions are inches (millimeters)  $\pm 0.015$  (0.38) unless otherwise specified.

# Mouser Electronics

Authorized Distributor

Click to View Pricing, Inventory, Delivery & Lifecycle Information:

[MACOM:](#)

[L42](#) [SML42](#)