

# AI 2,5-8 GY S1 - Ferrule



1200164

<https://www.phoenixcontact.com/us/products/1200164>

Please be informed that the data shown in this PDF document is generated from our online catalog. Please find the complete data in the user documentation. Our general terms of use for downloads are valid.



Ferrule, Dimensions according to DIN 46228-4, with color-coded plastic collars according to NF C 63-023:1994-02, for processing with the CRIMPFOX 4 in 1, sleeve length: 8 mm, color: gray, number of strips: 10, number of sleeves per strip: 40

## Commercial data

Item number	1200164
Packing unit	400 pc
Minimum order quantity	400 pc
Sales key	BH34
Product key	BH3415
Catalog page	Page 415 (C-3-2019)
GTIN	4055626166568
Weight per piece (including packing)	0.15 g
Weight per piece (excluding packing)	0.15 g
Customs tariff number	85369010
Country of origin	DE

# AI 2,5-8 GY S1 - Ferrule

1200164

<https://www.phoenixcontact.com/us/products/1200164>



## Technical data

### Product properties

Product type	Cable end sleeve
Conductor category	stranded conductors, class 2, 5, 6 / B, C, K, M

### Data management status

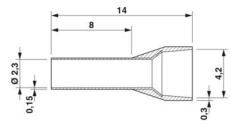
Article revision	04
------------------	----

### Connection data

#### Conductor connection

Conductor cross section flexible max.	2.5 mm <sup>2</sup>
Conductor cross section AWG max.	14
Stripping length	11 mm

### Dimensions

Dimensional drawing	
Sleeve length	8 mm
Maximum stripping length	11 mm
Ferrule diameter	2.3 mm
Sleeve wall thickness	0.15 mm
Insulating collar thickness	0.3 mm
Inner dimensions of the insulating collar	4.2 mm

### Material specifications

Color	gray (RAL 7042)
Material	CU-DHP
Flammability rating according to UL 94	HB
Coating	tin-plated (galvanic)
Components	free from silicone and halogen

### Mechanical properties

#### Technical data

Sleeve length	8 mm
---------------	------

### Environmental and real-life conditions

#### Ambient conditions

Permanent temperature	105 °C (-40 °C no load / 0 °C dynamic load)
Short-term temperature	120 °C

# AI 2,5-8 GY S1 - Ferrule

1200164

<https://www.phoenixcontact.com/us/products/1200164>



## Standards and regulations

Design according to standard

DIN 46228-4

# AI 2,5-8 GY S1 - Ferrule

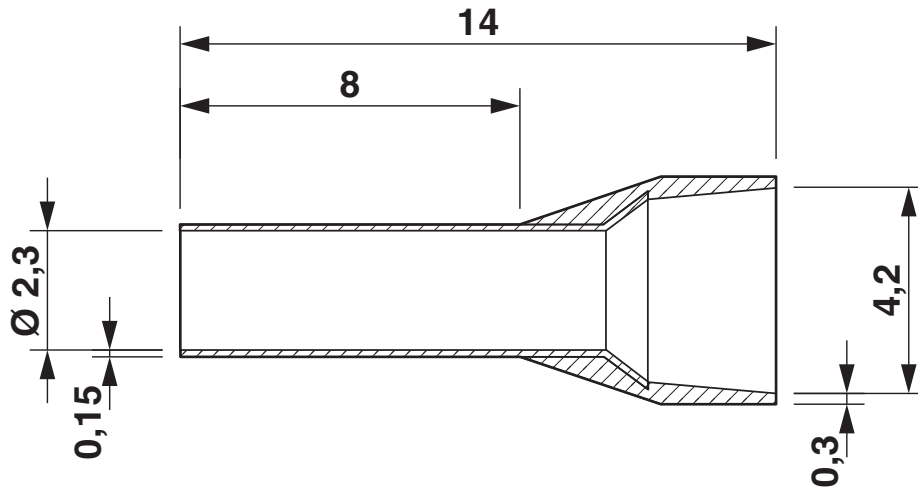
1200164

<https://www.phoenixcontact.com/us/products/1200164>



## Drawings

Dimensional drawing



# AI 2,5-8 GY S1 - Ferrule



1200164

<https://www.phoenixcontact.com/us/products/1200164>

## Approvals

To download certificates, visit the product detail page: <https://www.phoenixcontact.com/us/products/1200164>



**cULus Listed**

Approval ID: E488001

# AI 2,5-8 GY S1 - Ferrule



1200164

<https://www.phoenixcontact.com/us/products/1200164>

## Classifications

### ECLASS

ECLASS-11.0	27400201
ECLASS-13.0	27400201
ECLASS-12.0	27400201

### ETIM

ETIM 9.0	EC000005
----------	----------

### UNSPSC

UNSPSC 21.0	27121700
-------------	----------

# AI 2,5-8 GY S1 - Ferrule



1200164

<https://www.phoenixcontact.com/us/products/1200164>

## Environmental product compliance

### EU RoHS

Fulfills EU RoHS substance requirements	Yes, No exemptions
---	--------------------

### China RoHS

Environment friendly use period (EFUP)	EFUP-E
	No hazardous substances above the limits

### EU REACH SVHC

REACH candidate substance (CAS No.)	No substance above 0.1 wt%
-------------------------------------	----------------------------

Phoenix Contact 2024 © - all rights reserved  
<https://www.phoenixcontact.com>

Phoenix Contact USA  
586 Fulling Mill Road  
Middletown, PA 17057, United States  
(+717) 944-1300  
[info@phoenixcon.com](mailto:info@phoenixcon.com)