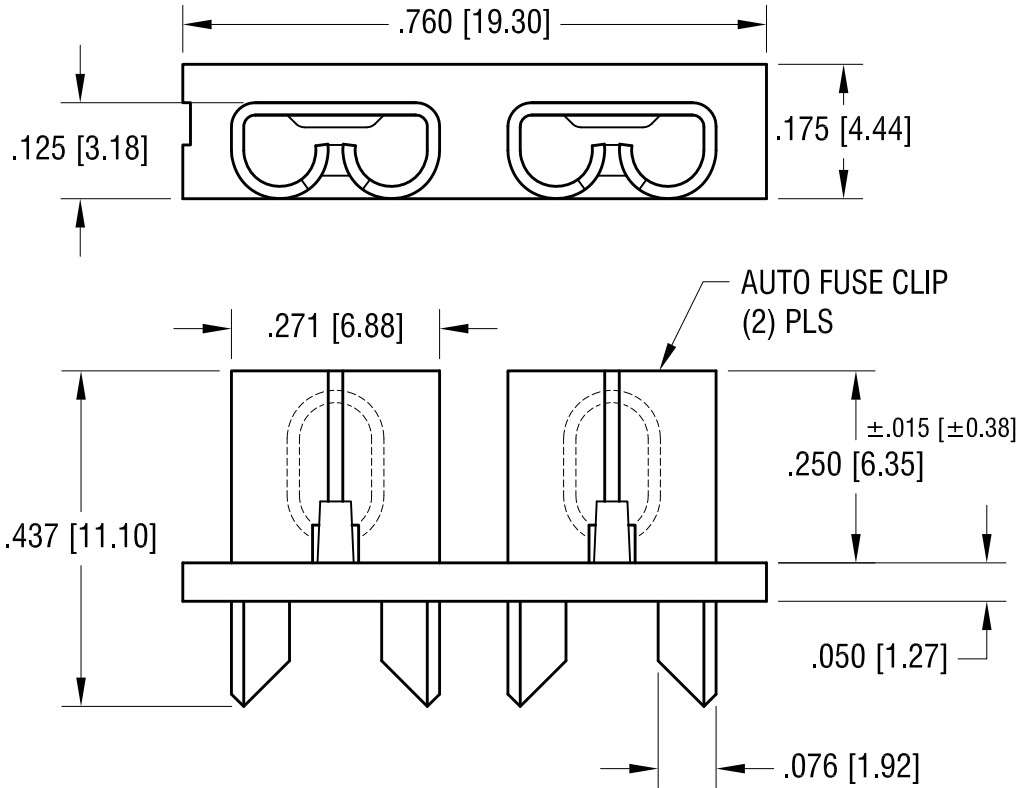
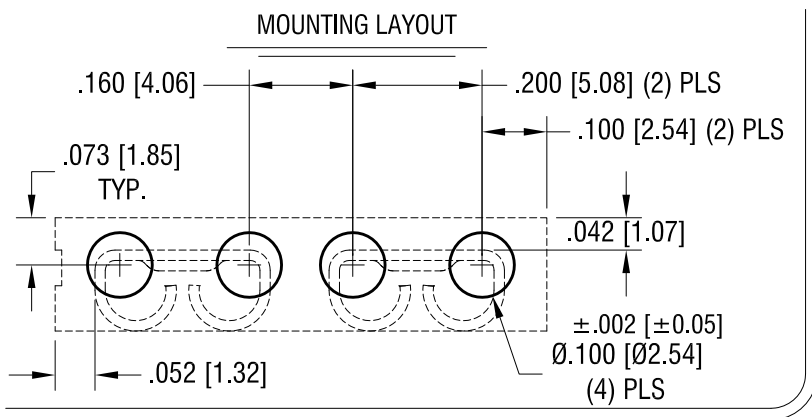
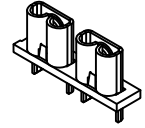


THIS DOCUMENT IS THE PROPERTY OF
KEYSTONE ELECTRONICS CORP. AND
SHALL NOT BE REPRODUCED, DISTRIBUTED
OR USED AS A BASIS FOR MANUFACTURE
WITHOUT PRIOR WRITTEN PERMISSION
FROM KEYSTONE ELECTRONICS CORP.

ACTUAL SIZE



NOTE:

CLIP: .016 [0.41] TH'K BRASS, TIN NICKEL PLATE
 BASE: MAT'L: NYLON 6/6, 20% GLASS-FILLED, UL 94V-0
 CURRENT RATING: 20 AMPS
 VOLTAGE RATING: 500VAC
 TEMPERATURE RATING: -58°F TO +292°F
 (-50°C TO +145°C)

FILE NUMBER: E354010

3.30.21	CHANGE AS PER ECN21-031	J
11.03.15	CHANGE AS PER ECN15-130	H
8.18.15	CHANGE AS PER ECN15-079	G
3.0512	CHANGE AS PER ECN 12-029	F
8.18.06	CHANGE AS PER ECN 06-046	E
9.21.04	CHANGE AS PER ECN 04-121	D
DATE	DESCRIPTION	REV.

KEYSTONE ELECTRONICS CORP.			
www.keyelco.com • NEW HYDE PARK, NY 11040 • Tel (516) 328-7500			
PART NAME		PC AUTO FUSE SOCKET	
MATERIAL		AS NOTED	
FINISH		AS NOTED	
DRN BY		BOONE	DATE 10.05.92
APP'D		MR	SCALE 4X
TOLERANCES INCH [MM]		CODE	
DECIMAL ±.005 [±0.13]		C	
ANGULAR ± 1°		DWG NO.	
UNLESS OTHERWISE SPECIFIED		3522-2	