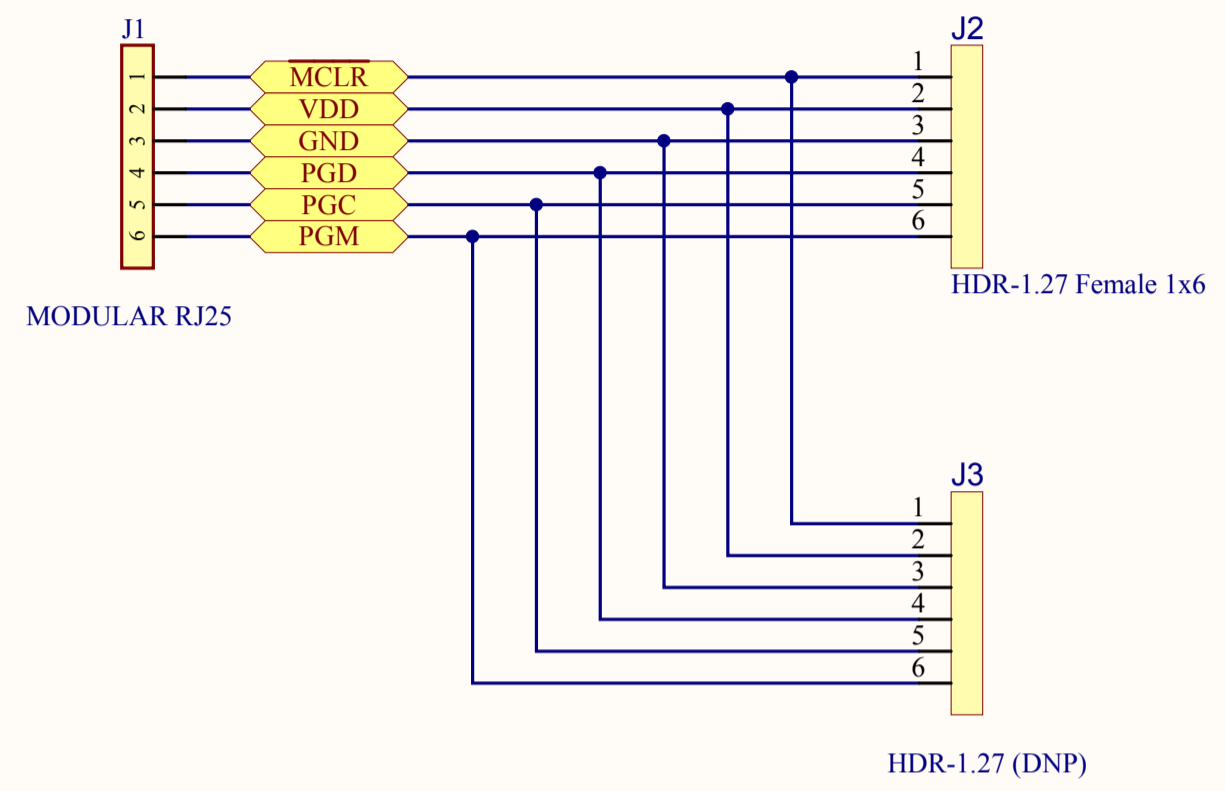



Co: Microchip Technology Inc.	
Title: RJ-11 to 6-pin Adapter	
Board: 03-01885	Revision: 1
Author:	Size: A
Date: December 6, 2005	Sheet 1 of 1

REV	ECO #	DESCRIPTION	DATE



Drawn By:		
Engineer:		
PartNumber: 10310	Project Title <b><i>RJ-11 to ICSP Adapter 2 (0.05" Pitch)</i></b>	
Sheet Title <b>RJ-11 to ICSP Adapter 2 (0.05" Pitch)</b>		
Size B	Sch #:03-10310 Revision: 1.0	Date: 5/8/2014 1:40:40 PM Sheet 1 of 1
File:		