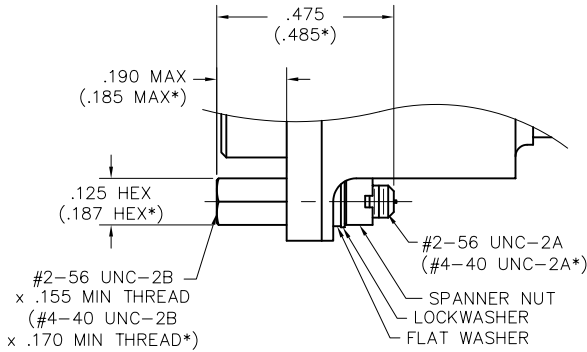


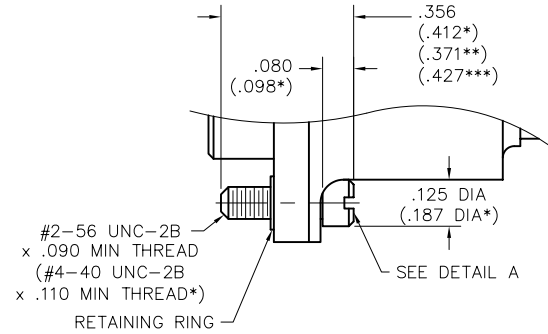
# Hardware

## MM - MQ I/O with EMI/RFI Backshell



**JACKPOST ASSEMBLY**

- #2-56 JACKPOST 00-000-000-000-2200-01G
- #4-40 JACKPOST 00-000-000-000-6200-04A



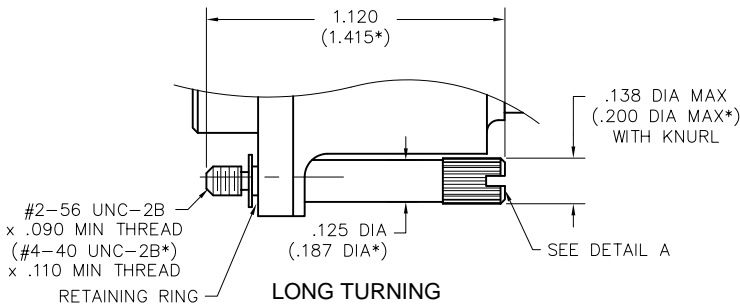
**SHORT TURNING**

**JACKSCREW ASSEMBLY**

- #2-56 JACKSCREW, ALLEN HEAD 00-000-000-000-4100-01G
- #2-56 JACKSCREW, SLOT HEAD 00-000-000-000-4300-01G
- #4-40 JACKSCREW, ALLEN HEAD 00-000-000-000-8100-04A
- #4-40 JACKSCREW, SLOT HEAD 00-000-000-000-8300-04A

**FOR RECEPTACLES WITH GROUNDING FINGERS**

- #2-56 JACKSCREW, ALLEN HEAD 00-000-000-000-4100-0FZ
- #2-56 JACKSCREW, SLOT HEAD 00-000-000-000-4300-0FZ
- #4-40 JACKSCREW, ALLEN HEAD 00-000-000-000-8100-0FZ
- #4-40 JACKSCREW, SLOT HEAD 00-000-000-000-8300-0FZ

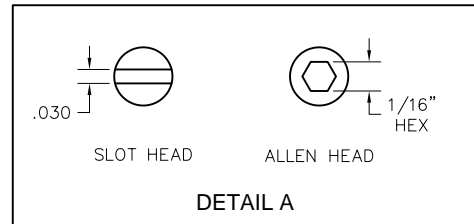


**LONG TURNING  
JACKSCREW ASSEMBLY**

- #2-56 JACKSCREW, SLOT HEAD 00-000-000-000-4400-01G
- #4-40 JACKSCREW, SLOT HEAD 00-000-000-000-8400-04A

**FOR RECEPTACLES WITH GROUNDING FINGERS**

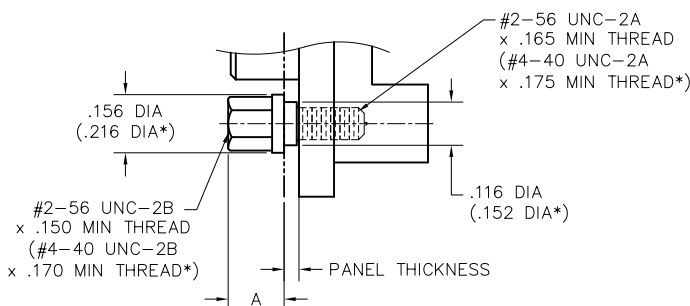
- #2-56 JACKSCREW, SLOT HEAD 00-000-000-000-4400-0FZ
- #4-40 JACKSCREW, SLOT HEAD 00-000-000-000-8400-0FZ



**DETAIL A**

- \* = Dimensions for #4-40 hardware (100 position connectors)
- \*\* = Applies to #2-56 hardware for receptacles with grounding fingers
- \*\*\* = Applies to #4-40 hardware for receptacles with grounding fingers

## MM - MK Rear Panel Mount Jackposts for Body Styles "A", "C", "E", "H", "K", and "L"



\* = Dimensions for 100 position connectors

PANEL THK	THREAD SIZE	PART NUMBER	A MAX
.040	#2-56	MM-000-000-000-2400-0D1	.150
.060		MM-000-000-000-2600-0D3	.130
.070		MM-000-000-000-2800-0D5	.120
.080		MM-000-000-000-2900-0D7	.110
.040	#4-40	MM-000-000-000-6400-0D2	.150
.060		MM-000-000-000-6600-0D4	.130
.070		MM-000-000-000-6800-0D6	.120
.080		MM-000-000-000-6900-0D8	.110

# Mouser Electronics

Authorized Distributor

Click to View Pricing, Inventory, Delivery & Lifecycle Information:

[AirBorn:](#)

[MM-000-000-000-2600-0D3](#) [MM-000-000-000-2900-0D7](#) [MM-000-000-000-2400-0D1](#)