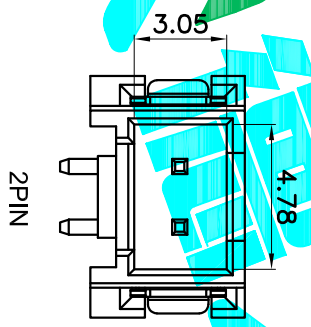


技术要求/Notes:

- 1.外观质量 Appearance quality:
 - a.金属表面镀层不能有明显损伤;
 - b.塑壳表面不能有明显的变形或开裂;
 2. No obvious deformation or cracking can be observed on the surface of the Housing;
 3. 产品表面应保持清洁;
 4. Product surface should be kept clean;
 5. 工作温度 Working temperature: -25℃~+105℃;
 6. 额定电压 Voltage Rating : Max 250V [AC/Effective value rms]/DCI;
 7. 额定电流 Current Rating: Max 2A [AC/Effective value rms]/DCI;
 8. 接触电阻 Contact resistance: Max 20 mΩ;
 9. 绝缘电阻 Insulation resistance: Min 1000MΩ;
 10. 耐压 Withstanding voltage: 1000V AC/50 Hz, Effective value: 1 min);
 11. 环保要求应符合RoHS标准
- Environmental requirements should meet RoHS standards.



孔位	DIM A	DIM B	DIM C	DIM D
16	30.00	36.00	32.80	28.90
15	28.00	34.00	30.80	26.90
14	26.00	32.00	28.80	24.90
13	24.00	30.00	26.80	22.90
12	22.00	28.00	24.80	20.90
11	20.00	26.00	22.80	18.90
10	18.00	24.00	20.80	16.90
9	16.00	22.00	18.80	14.90
8	14.00	20.00	16.80	12.90
7	12.00	18.00	14.80	10.90
6	10.00	16.00	12.80	8.90
5	8.00	14.00	10.80	6.90
4	6.00	12.00	8.80	4.90
3	4.00	10.00	6.80	2.90
2	2.00	8.00	4.80	2.70

PCB LAYOUT

ECN NO.	REV.	DATE.	DESCRIPTION.	CHANGE.	CHECK.	APPRO.
	A		NEW			

APPROVALS		DATE
DRAWN	G.M.Chen	2015/7/17
CHECKED		
APPROVALS		

TOLERANCES ARE	30±0.15	±0.30	ANGLE	
	10~30	±0.20		
	5~10	±0.15	±2°	
	~5	±0.10		

PART NO.	L200HY-XXPS	SHEET	1 OF 1
UNIT:	mm	SCALE:	1:1
DRAWING NO.		PROJ.	



CONNECTOR