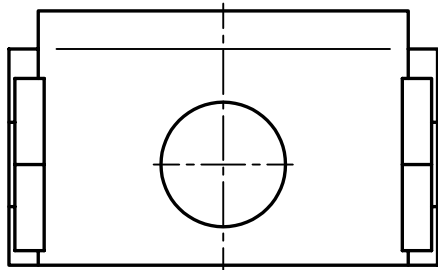
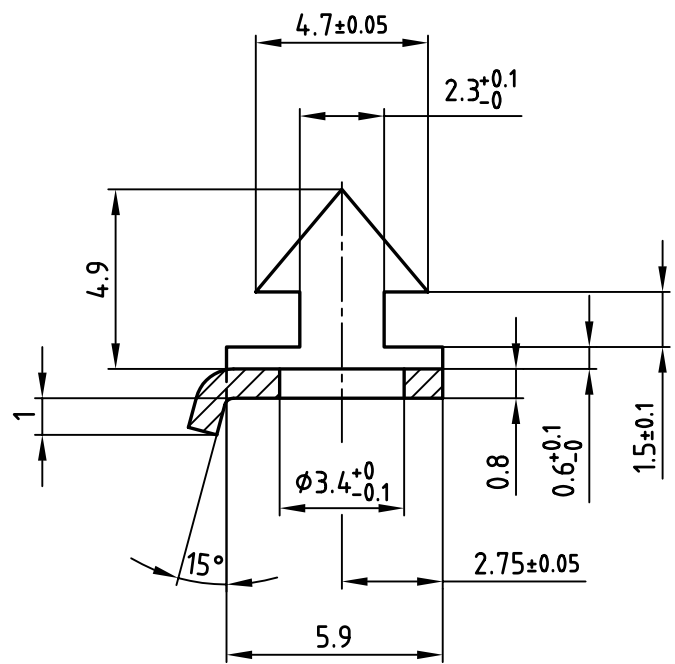
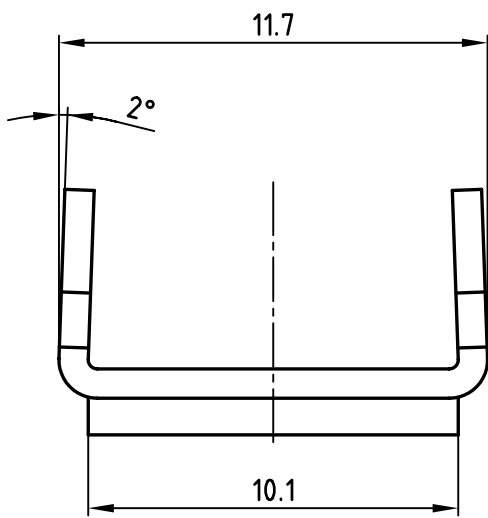


used for: D - SUB



**NOTES:**

- 1. Part is splint and burrfree
- 3. Excellent adhesion of surface to the base material
- 3. radius without dimensions = R 0.25

THIS DRAWING MAY NOT BE COPIED OR REPRODUCED IN ANY WAY, AND MAY NOT BE PASSED ON TO A THIRD PARTY WITHOUT WRITTEN PERMISSION.  
 OWNERSHIP AND COPYRIGHT OF CONEC GmbH  
 DO NOT ALTER CAD DRAWING BY HAND

finish: nickel plated		
1993	date	name
drawn	05.07.	Barcinski
appd.	05.07.	Mickenbecker
norm		
d-old		
rev.	description	date name

tolerance  
ISO 2768-m

**CONEC**®

scale:	5:1
material:	STEEL
title:	<b>LOCK</b> φ3.4 for slide lock
dwg no:	AutoCADREL.13
part no:	16V1EE6A
	165X10119X
	DIN-A 4 sh: 1/1

# Mouser Electronics

Authorized Distributor

Click to View Pricing, Inventory, Delivery & Lifecycle Information:

[CONEC:](#)

[165X10119X](#)