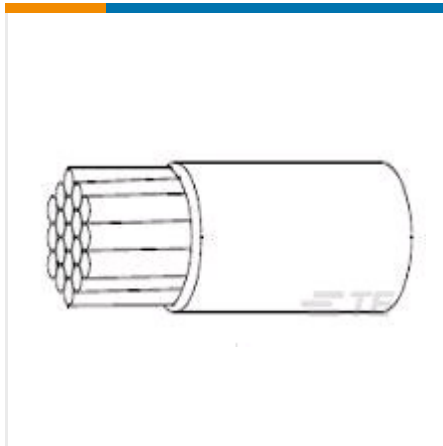




**+** WIRE AND CABLE

HOOK UP WIRE



✓ Active

TE CONNECTIVITY (TE)

## 55/9952-24-6(LAT3)

Raychem

55/9952-24-6(LAT3)

TE Internal Number: 7304373002

Alias ID: 3-1195706-3

Not EU RoHS Compliant

Not EU ELV Compliant

**Cable Type** Spec 55

**Voltage Rating (V)** 600

**Insulation Material** Radiation-Crosslinked, Modified Fluoropolymer

**Conductor Material** Silver-Coated High Strength Copper Alloy

**Wire Size (AWG)** 24

**↓** **PRODUCT DRAWING**  
English

### DOCUMENTATION

Product Drawings

#### Customer Drawing

PDF

English

### FEATURES

Please review product documents or [contact us](#) for the latest agency approval information.

Please Note: Use the Product Drawing for all design activity.

Product Type Features

**Cable Type** Spec 55  
**Cable Style** Special Construction  
**Product Classification** High Performance - Spec 44, 55 & RCW  
**Product Type** Wire

---

#### Configuration Features

**Number of Strands** 19  
**Number of Conductors** 1

---

#### Electrical Characteristics

**Voltage Rating (V)** 600  
**Resistance (Max)** 106.2  $\Omega$ /1000m @ 20°C

---

#### Body Features

**Insulation Material** Radiation-Crosslinked, Modified Fluoropolymer  
**Conductor Material** Silver-Coated High Strength Copper Alloy  
**Wire Color** Blue  
**Weight (kg/km)** 2.78

---

#### Dimensions

**Wire Size (AWG)** 24  
**Conductor Diameter** .58 mm [ .0228 in ]  
**Overall Outside Diameter** .95 mm [ .0374 in ]  
**Conductor Diameter Range** .57 – .59 mm [ .022 – .023 in ]  
**Wire Diameter** .95 mm [ .0374 in ]

---

#### Usage Conditions

**Operating Temperature Range (°C)** -65 – 200

---

#### Other

**Wire Source** United Kingdom

---

## PRODUCT COMPLIANCE



#### Statement of Compliance

#### **Statement of Compliance**

PDF

---