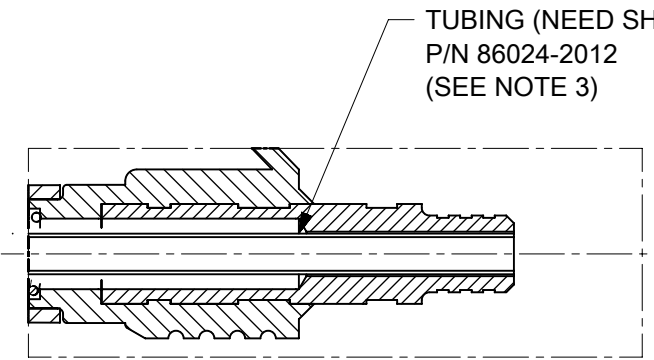
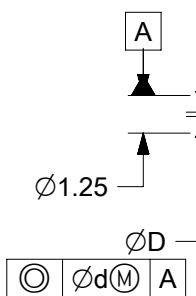
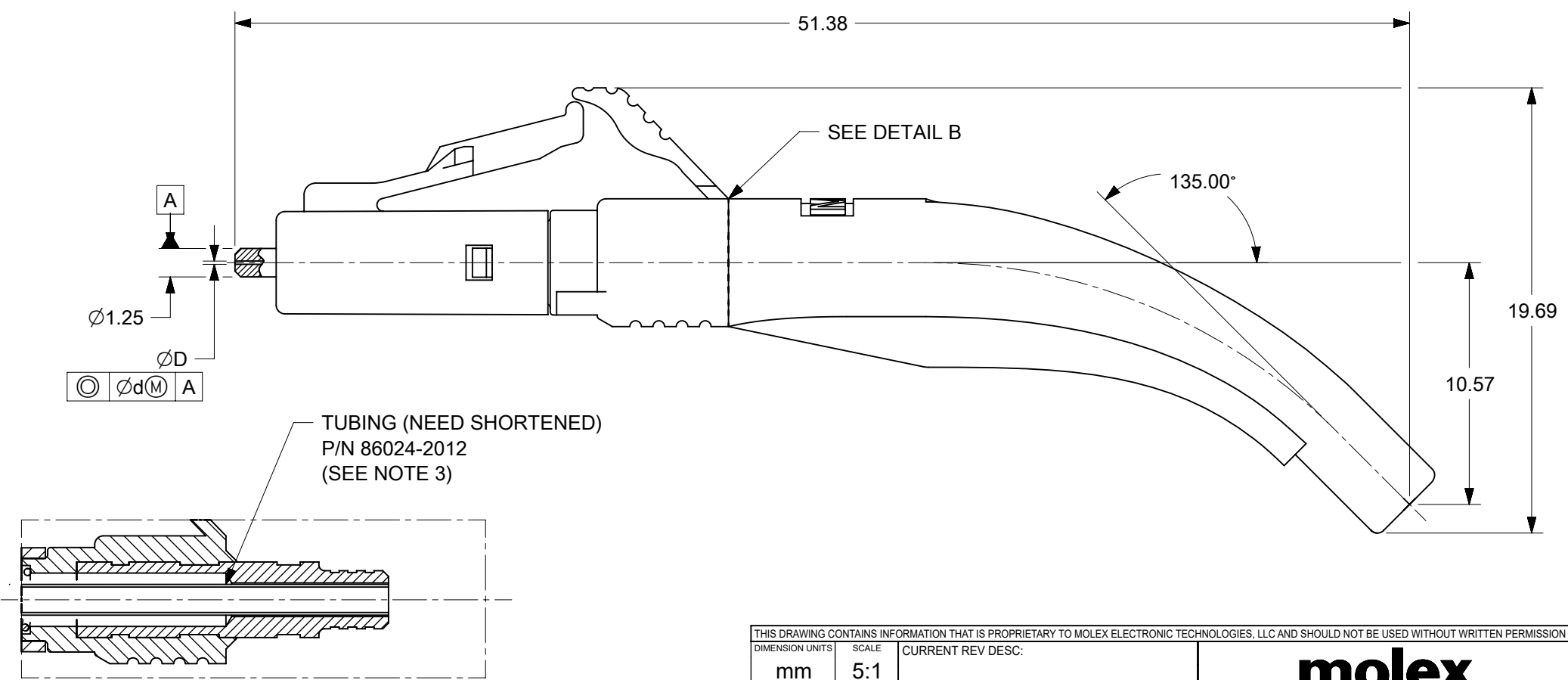
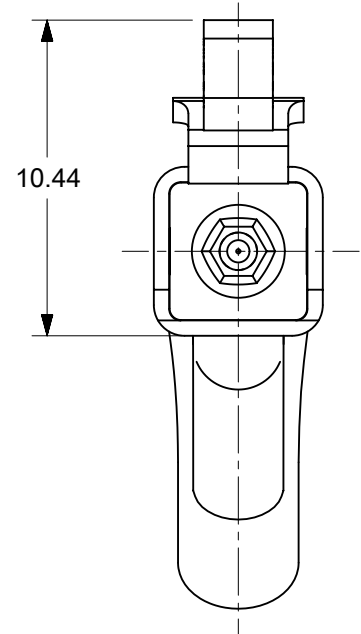
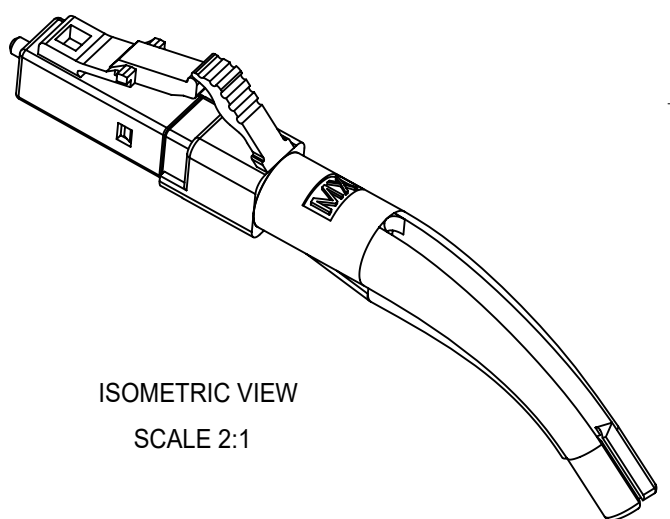
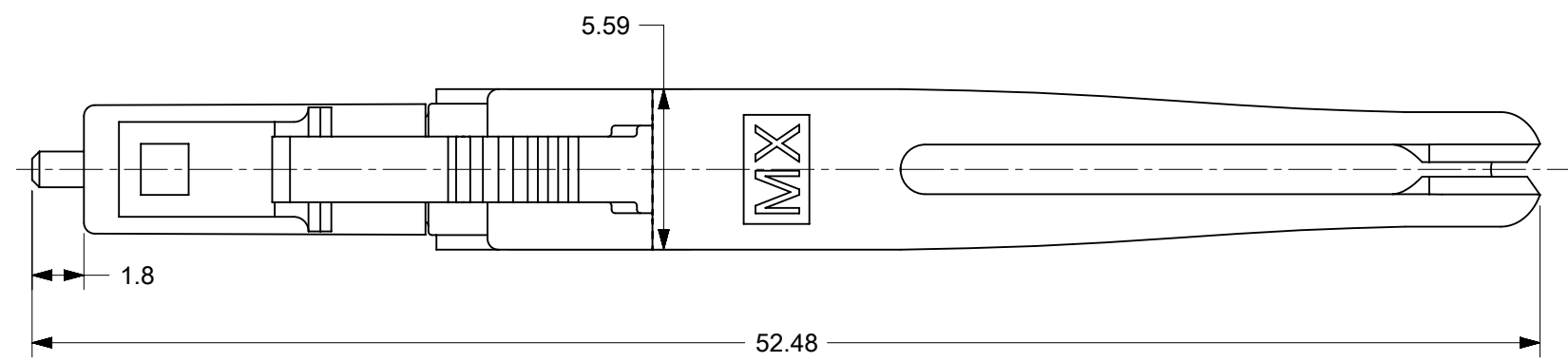


CONNECTOR P/N	ØD (µm)	Ød (µm)	CONN. BODY COLOR	BOOT COLOR	CABLE Ø (mm)	CABLE TYPE
106024-7110	125+0.5/-0	0.5	BLUE	WHITE	1.6	SINGLE MODE
106024-7115					1.6 ZIPCORD&2.0	
106024-7120	125.25+0.5/-0				1.6	
106024-7125					1.6 ZIPCORD&2.0	
106024-7130	125.5+0.5/-0				1.6	
106024-7135					1.6 ZIPCORD&2.0	
106024-7140	126+1/-0	1			1.6	
106024-7145					1.6 ZIPCORD&2.0	
106024-7150	125+0.5/-0				1.6	
106024-7155					1.6 ZIPCORD&2.0	
106024-7160	125.25+0.5/-0				1.6	
106024-7165					1.6 ZIPCORD&2.0	
106024-7170	125.5+1.0/-0	1.6				
106024-7175		1.6 ZIPCORD&2.0				
106024-7180	127+3/-0	3	BEIGE		1.6	MULTIMODE
106024-7185					1.6 ZIPCORD&2.0	



TUBING (NEED SHORTENED)
P/N 86024-2012
(SEE NOTE 3)

DETAIL B
BOOT (ITEM 2) AND CRIMP TUBING (ITEM 3)
ARE NOT SHOWN

- NOTES:
- ALL DIMENSIONS ARE FOR REFERENCE ONLY.
 - DUST CAP IS NOT SHOWN.
 - TUBING MUST BE SHORTENED AFTER FILLING THE EPOXY ACCORDING TO THE TERMINATION PROCEDURE P/N PS-86028-2000

THIS DRAWING CONTAINS INFORMATION THAT IS PROPRIETARY TO MOLEX ELECTRONIC TECHNOLOGIES, LLC AND SHOULD NOT BE USED WITHOUT WRITTEN PERMISSION											
DIMENSION UNITS		SCALE		CURRENT REV DESC:							
mm		5:1		EC NO: 695254							
GENERAL TOLERANCES (UNLESS SPECIFIED)				4 PLACES		±		DRWN: JHUANG18		2022/02/15	
ANGULAR TOL				±		0.5°		CHKD: IGUMIN		2022/04/29	
3 PLACES				±				APPR: IGUMIN		2022/04/29	
2 PLACES				±				INITIAL REVISION:			
1 PLACE				±				DRWN: PGIBLIN		2006/02/07	
0 PLACES				±				APPR: IGUMIN		2006/02/07	
DRAFT WHERE APPLICABLE MUST REMAIN WITHIN DIMENSIONS				THIRD ANGLE PROJECTION		DRAWING		SERIES		MATERIAL NUMBER	
				B-SIZE		106024		SEE TABLE		CUSTOMER	
								GENERAL MARKET		SHEET NUMBER	
										1 OF 1	

molex

LC CONNECTOR
45 DEGREE BOOT

PRODUCT CUSTOMER DRAWING

DOCUMENT NUMBER	DOC TYPE	DOC PART	REVISION
SD-106024-71XX	PSD	001	B3