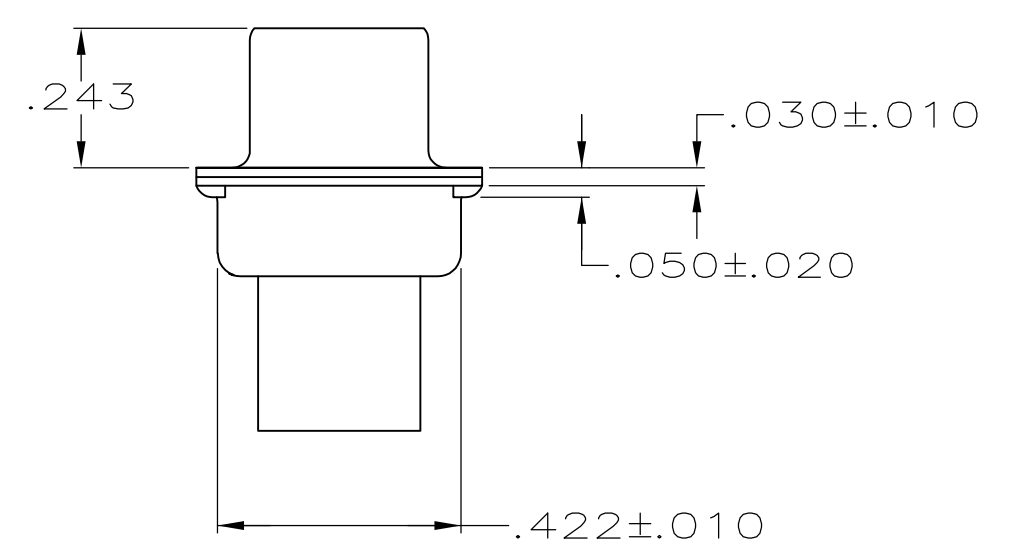
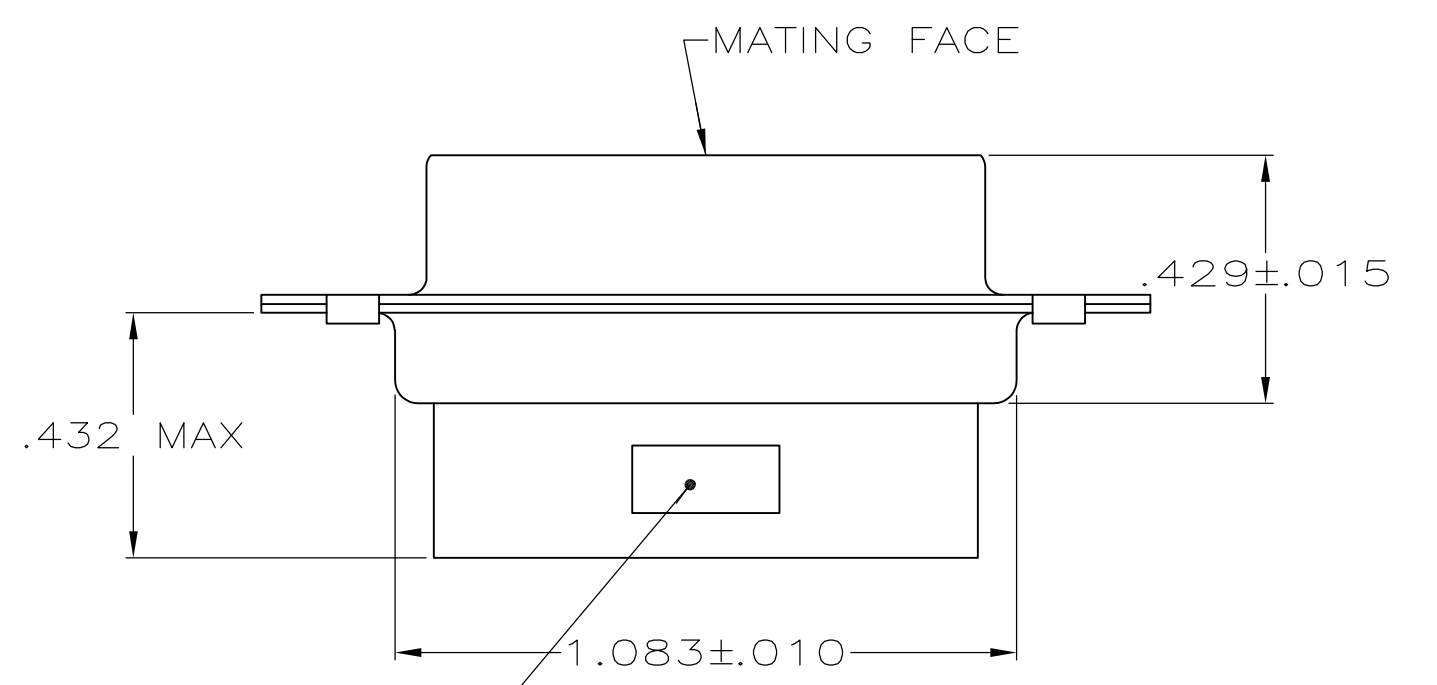
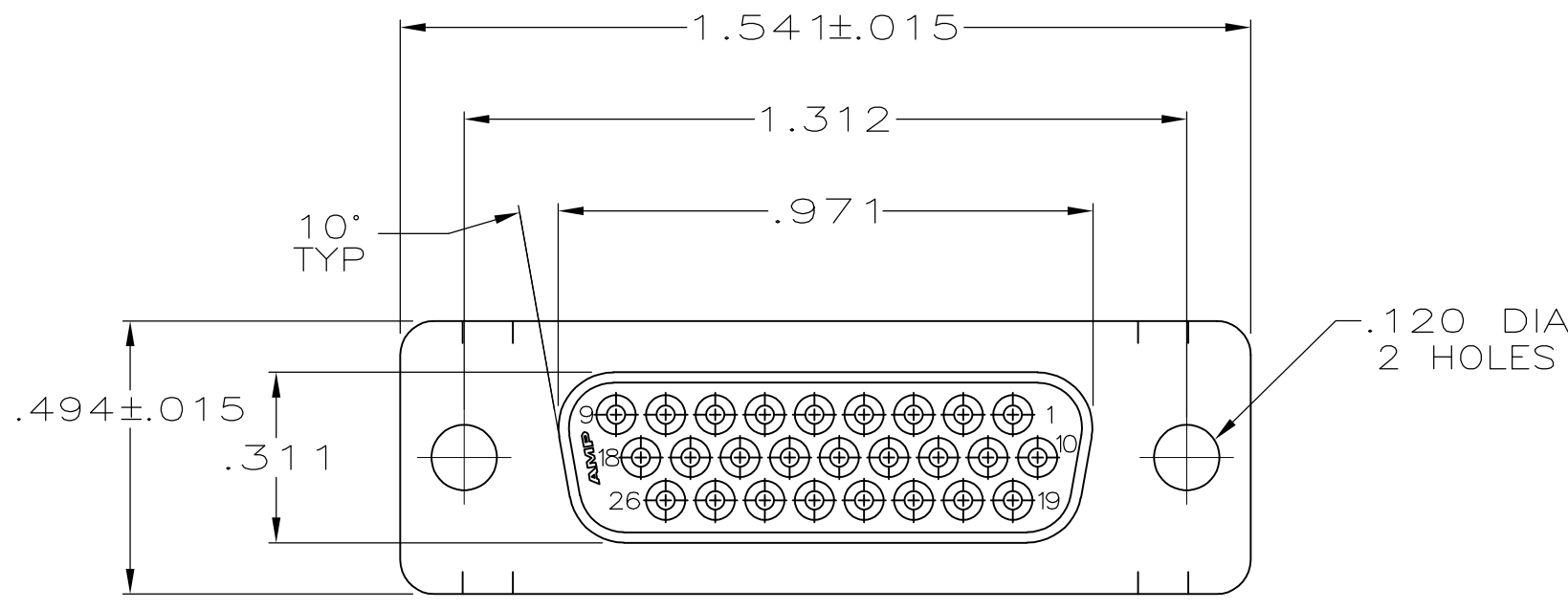


THIS DRAWING IS UNPUBLISHED. RELEASED FOR PUBLICATION
 © COPYRIGHT - By - ALL RIGHTS RESERVED.

LOC		DIST		REVISIONS			
P	LTR	DESCRIPTION		DATE	DWN	APVD	
GP	00	P		REVISED PER ECO-11-004835	11MAR11	RK	HMR



TYCO, PART NO & DATE CODE, MARKED IN AREA INDICATED, ON FAR SIDE

- 1. CONNECTOR ACCEPTS 22 DF SOCKET CONTACTS, RETENTION TINES ARE AN INTEGRAL PART OF INSERT.
- 2. FLAME RETARDANT 94V-0 RATED GLASS FILLED NYLON, COLOR: BLACK.
- 3. CARBON STEEL.
- 4. .000200 MIN. TIN PLATE OVER .000100 MIN. COPPER UNDERPLATE.

1658682-1
PART NUMBER

THIS DRAWING IS A CONTROLLED DOCUMENT.		DWN	L. BAUM	02JAN04	TE TE Connectivity																		
DIMENSIONS: INCHES		CHK	S. BOLASH	02JAN04																			
TOLERANCES UNLESS OTHERWISE SPECIFIED:		APVD	M. WALMSLEY	02JAN04																			
<table border="0"> <tr><td>0 PLC</td><td>±</td><td>-</td></tr> <tr><td>1 PLC</td><td>±</td><td>-</td></tr> <tr><td>2 PLC</td><td>±</td><td>-</td></tr> <tr><td>3 PLC</td><td>±</td><td>.005</td></tr> <tr><td>4 PLC</td><td>±</td><td>-</td></tr> <tr><td>ANGLES</td><td>±</td><td>2°</td></tr> </table>		0 PLC	±	-		1 PLC	±	-	2 PLC	±	-	3 PLC	±	.005	4 PLC	±	-	ANGLES	±	2°	PRODUCT SPEC	108-1268	NAME
0 PLC	±	-																					
1 PLC	±	-																					
2 PLC	±	-																					
3 PLC	±	.005																					
4 PLC	±	-																					
ANGLES	±	2°																					
MATERIAL MOLDED PARTS: SHELLS:		APPLICATION SPEC	114-10001	SIZE	A2																		
FINISH SHELLS:		WEIGHT	-	CAGE CODE	00779																		
		CUSTOMER DRAWING	SCALE	3:1	SHEET																		
					1 of 1																		
					REV																		
					P																		