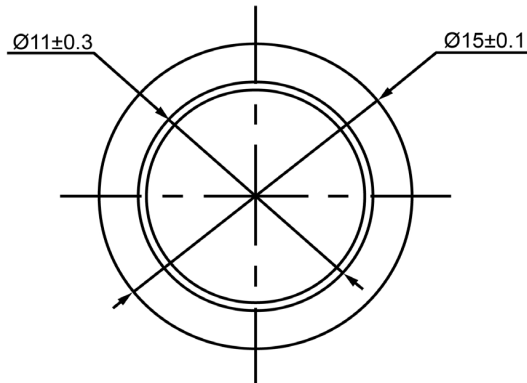
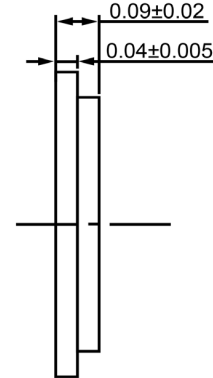



TOP VIEW



SIDE VIEW



Specifications			Notes	Revision History					
Description	Value	Unit		Version	Description		Date	Approved	
Resonant Frequency	2,500	(Hz)	1) All dimensions are in mm unless otherwise noted 2) All parts meet RoHS	1	Released from Engineering		10/21/2013	J.S	
Resonant Impedance (Max)	500	(Ohm)							
Max Input Voltage	30	(V)							
Capacitance	30,000	(pF)							
Plate Material	Alloy								
Operating Temperature	-20 ~ +60	°C							
Storage Temperature	-20 ~ +70	°C							
			 <b>DB UNLIMITED</b>	<b>Piezo Bender</b>		<b>P15025-1</b>			

Additional considerations can be found at [www.dbunlimitedco.com/technical-articles](http://www.dbunlimitedco.com/technical-articles).