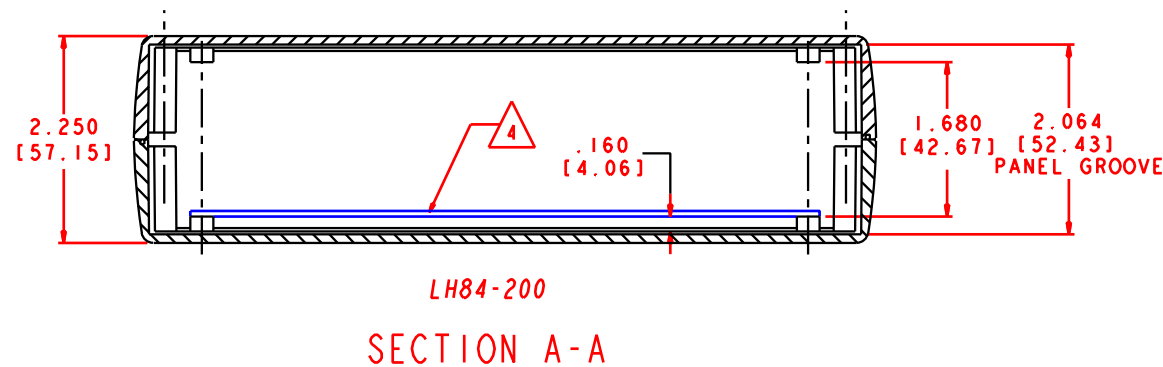
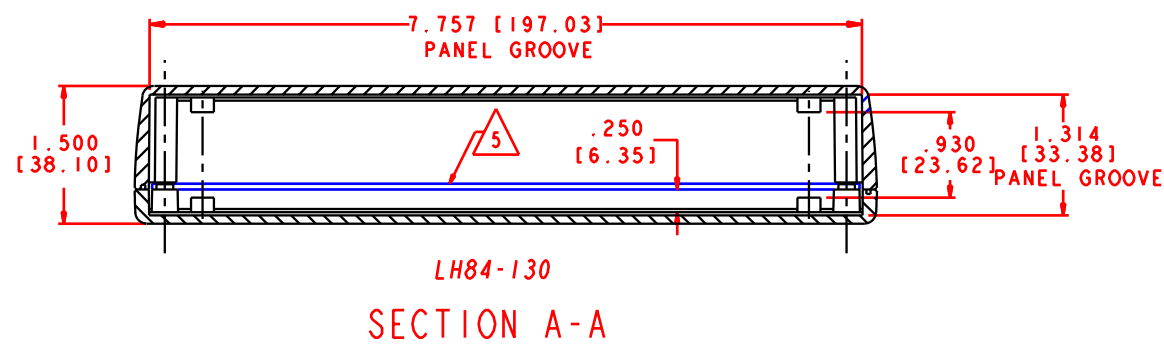


NOTES:

- PANEL SIZE: (FRONT AND REAR)
- LH84-130 1.307±.005 [33.20±0.13] H X 7.755±.005 [196.98±0.13] W X .062±.005 [1.57±0.13] THK., IN PANEL GROOVE AREA.
- LH84-200 2.057±.005 [53.25±0.13] H X 7.755±.005 [196.98±0.13] W X .062±.005 [1.57±0.13] THK., IN PANEL GROOVE AREA.
- ① EXTERIOR INSERT AREA, FOR IN MOLD MODIFICATION. TYPICAL ON TOP AND BOTTOM COVERS.
- ② INTERIOR INSERT AREA, FOR IN MOLD MODIFICATION. TYPICAL ON TOP AND BOTTOM COVERS.
- ③ USABLE PANEL AREA.
- ④ P.C. CARD 3.950 [100.33] L X 7.000 [177.80] W .062±.005 [1.57±0.13] THK.
- ⑤ P.C. CARD 3.950 [100.33] L X 7.700 [195.58] W .062±.005 [1.57±0.13] THK.



PACNTEC®

LH84-130 & LH84-200

www.pactecenclosures.com

1-610-361-4231

Mouser Electronics

Authorized Distributor

Click to View Pricing, Inventory, Delivery & Lifecycle Information:

[PacTec:](#)

[72005-511-039 LH84-200 BONE W/BLK PANELS](#) [71884-07-028 LH84-200 Black](#) [74884-07-028 LH84-200-PANEL](#)
[72004-510-000 LH84-200 Black Kit](#)