



January 2015

FSA2380 — Low R_{ON} (0.75 Ω) 3:1 Negative Swing Audio Source Switch

FSA2380 — Low R_{ON} (0.75 Ω) 3:1 Negative Swing Audio Source Switch

Features

- 10 μ A Maximum I_{CCT} Current Over An Expanded Control Voltage Range ($V_{IN}=2.6$ V, $V_{CC}=4.3$ V)
- C_{ON} Capacitance 70 pF Typical
- 0.75 Ω Typical On Resistance (R_{ON})
- 1Bn, 2Bn Ports Support Negative Swing Audio to -2 V
- -3 db Bandwidth: > 120 MHz
- Low Power Consumption (1 μ A maximum)
- Power-Off Feature for 1 A/2 A Pin ($I_{IN} < 2$ μ A)
- Packaged in Pb-Free 14-Pin TSSOP and DQFN

Description

The FSA2380 is a Double-Pole, Triple Throw (DP3T) multiplexer that routes three dual-channel sources of data or audio under the control of a single pair of select pins. The FSA2380 has special circuitry on the 1A/2A pins to allow a power-off feature. With the V_{CC} supply removed and voltage on the 1A/2A pins, there is minimal leakage current into the 1A/2A data pins. The FSA2380 also features very low quiescent current and a power-off feature to extend battery life. The low quiescent current feature allows mobile handset applications direct interface with the baseband processor general-purpose I/Os. Typical applications involve switching in portables and consumer applications, such as cell phones, digital cameras, and notebooks with hubs or controllers.

Applications

- Cell Phone, PDA, Digital Camera, and Notebook
- LCD Monitor, TV, and Set-Top Box

Ordering Information

Part Number	Top Mark	Packing Description
FSA2380BQX	2380	14-Terminal Depopulated very thin Quad Flat-pack No leads (DQFN) 2.5 x 3.0 mm, JEDEC MO-241
FSA2380MTCX	FSA2380	14-Lead Thin Shrink Small Outline Package (TSSOP) 4.4 mm wide, JEDEC MO-153

Analog Symbol

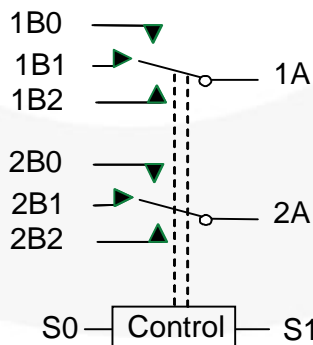


Figure 1. FSA2380 Analog Symbol

Pin Assignments

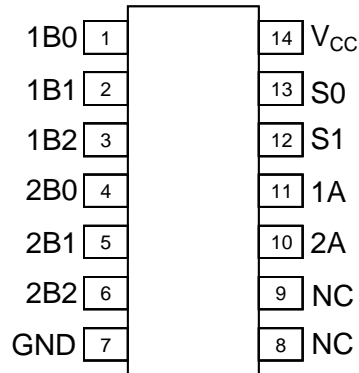


Figure 2. TSSOP-14 (Top Through View)

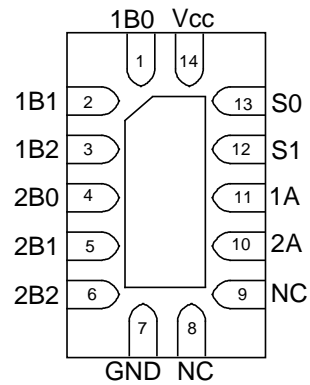


Figure 3. DQFN-14 (Top Through View)

Pin Descriptions

Name	Description
S0, S1	Switch Control Selects
1A, 2A	A Data Bus (Common)
1Bn, 2Bn	Multiplexed Source inputs

Truth Table

S1	S0	Function
LOW Logic Level	LOW Logic Level	Disconnected (Hi-Z)
LOW Logic Level	HIGH Logic Level	1B0 = 1A; 2B0 = 2A
HIGH Logic Level	LOW Logic Level	1B1 = 1A; 2B1 = 2A
HIGH Logic Level	HIGH Logic Level	1B2 = 1A; 2B2 = 2A

Absolute Maximum Ratings

Stresses exceeding the absolute maximum ratings may damage the device. The device may not function or be operable above the recommended operating conditions and stressing the parts to these levels is not recommended. In addition, extended exposure to stresses above the recommended operating conditions may affect device reliability. The absolute maximum ratings are stress ratings only.

Symbol	Parameter	Min.	Max.	Unit	
V _{CC}	Supply Voltage	-0.5	6.0	V	
V _{SW}	Switch I/O Voltage ⁽¹⁾	1Bn, 2Bn Pins	V _{CC} -5.5	V _{CC} +0.3	V
		1A, 2A Pins	V _{CC} -5.5	V _{CC} +0.3	V
V _{CNTRL}	Control Input Voltage ⁽¹⁾ S0, S1 Pins	-0.5	6.0	V	
I _{IK}	Input Clamp Diode Current	-50		mA	
I _{SW}	Switch I/O Current (Continuous)		350	mA	
I _{SWPEAK}	Peak Switch Current (Pulsed at 1ms Duration, <10% Duty Cycle)		500	mA	
P _D	Power Dissipation at 85°C	DQFN-14		2.5	μW
		TSSOP-14		2.5	μW
T _{STG}	Storage Temperature Range	-65	+150	°C	
T _J	Maximum Junction Temperature		+150	°C	
T _L	Lead Temperature (Soldering, 10 seconds)		+260	°C	
ESD	Human Body Model (JEDEC: JESD22-A114)	All Pins		5500	kV
		I/O to GND		8000	
		VCC to GND		8000	
	Charged Device Model (JEDEC-JESD22-C101)		2000	kV	

Note:

- The input and output negative ratings may be exceeded if the input and output diode current ratings are observed.

Recommended Operating Conditions

The Recommended Operating Conditions table defines the conditions for actual device operation. Recommended operating conditions are specified to ensure optimal performance to the datasheet specifications. Fairchild does not recommend exceeding them or designing to Absolute Maximum Ratings.

Symbol	Parameter	Min.	Max.	Unit	
V _{CC}	Supply Voltage	2.7	5.0	V	
V _{CNTRL}	Control Input Voltage (V _{S0:S1})	0	V _{CC}	V	
V _{SW}	Switch I/O Voltage	V _{CC} -5.5	V _{CC}		
T _A	Operating Temperature	-40	+85	°C	
θ _{JA}	Thermal Resistance (free air)	DQFN-14		145	°C/W
		TSSOP-14			

DC Electrical Characteristics

All typical values are at 25°C unless otherwise specified.

Symbol	Parameter	Conditions	V _{CC} (V)	T _A = - 40°C to +85°C			Unit
				Min.	Typ.	Max.	
	Analog Signal Range			V _{CC} - 5.5		V _{CC}	V
V _{IK}	Clamp Diode Voltage					1.2	V
V _{IH}	Control Input Voltage HIGH		2.7 to 3.6	1.2			V
			3.6 to 4.3	1.5			
V _{IL}	Control Input Voltage LOW		2.7 to 3.6			0.5	V
			3.6 to 4.3			0.7	
I _{IN}	Control Input Leakage	V _{IN} = 0 to V _{CC}	4.3			±1	μA
I _{OFF}	Power Off Leakage Current (Common Port Only 1A, 2A)	Common Port (1A, 2A) V _{SW} = 0 to 4.3 V V _{CC} = 0 V	0V			±10	μA
I _{NO(OFF)}	Off-Leakage Current of Port (1Bn, 2Bn)	1Bn, 2Bn or 1A, 2A = 0.3 V, V _{CC} -0.5 V, or Floating	4.3	-50	10	50	nA
I _{NC(ON)}	On-Leakage Current of Port 1Bn, 2Bn	1Bn, 2Bn or 1A, 2A = 0.3 V, V _{CC} -0.5 V, or Floating	4.3	-50	10	50	nA
R _{ON}	Switch On Resistance ⁽²⁾	1Bn or 2Bn = 0 V, 0.7 V, 2.0 V, 2.7 V; I _{ON} = -100 mA See Figure 7, Figure 8	2.70		0.75	2.00	Ω
ΔR _{ON}	Delta On Resistance ⁽³⁾	1Bn or 2Bn = 0.7 V, V _{CC} , I _{ON} = -100 mA	2.70		0.50		Ω
R _{FLAT(ON)}	On Resistance Flatness ⁽⁴⁾	1Bn or 2Bn = 0V, 0.7 V, 2.0 V, 2.7 V; I _{ON} = -100 mA See Figure 7, Figure 8	2.7 to 4.3		0.23	0.40	Ω
I _{CC}	Quiescent Supply Current	V _{SW} = 0 or V _{CC} -0.3 I _{OUT} = 0	4.3		22	500	nA
I _{CC} T	Increase in Quiescent Supply Current per Control Voltage and V _{CC}	V _{CNTRL} = 2.6 V	4.3		2.0	10.0	μA
		V _{CNTRL} = 1.8 V			6.5	15.0	

Notes:

- R_{ON} measured by the voltage drop between 1Bn (2Bn) and 1A (2A) pins at identical current through the switch. R_{ON} is determined by the lower of the voltage on the two pins.
- Guaranteed by characterization, not production tested.
- Flatness is defined as the difference between the maximum and minimum values of on resistance over the specified range of conditions.

AC Electrical Characteristics

All typical value are for V_{CC} = 3.3 V at 25°C unless otherwise specified.

Symbol	Parameter	Conditions	V _{CC} (V)	T _A = - 40°C to +85°C			Unit
				Min.	Typ.	Max.	
t _{ON}	Turn-On Time S[0:1] to Output	V _{Bn} = 1.5 V, R _L = 50Ω, C _L = 35 pF Figure 10, Figure 12	2.7 to 4.3		30	60	ns
t _{OFF}	Turn-Off Time S[0:1] to Output	V _{Bn} = 1.5 V, R _L = 50Ω, C _L = 35 pF Figure 10, Figure 12	2.7 to 4.3		22	45	ns
t _{PD}	Propagation Delay ⁽⁵⁾	R _L = 50 Ω, C _L = 5 pF Figure 13	3.3		0.25		ns
t _{BBM}	Break-Before-Make ⁽⁵⁾	R _L = 50 Ω, C _L = 5 pF V _{IN1} = V _{IN2} = V _{IN3} = 1.5 V Figure 11	2.7 to 4.3	1	6		ns
Q	Charge Injection	R _{GEN} = 0 Ω, C _L = 100 pF, R _L = OPEN Figure 14	2.7 to 4.3		9		pC
O _{IRR}	Off-Isolation	f = 100 kHz, R _L = 50 Ω Figure 4, Figure 16	2.7 to 4.3		-68		dB
Xtalk	Non-Adjacent Channel Crosstalk	f = 100 kHz, R _L = 50 Ω Figure 5, Figure 17	2.7 to 4.3		-60		dB
THD	Total Harmonic Distortion	f = 20 Hz to 20 kHz, R _L = 600 Ω, V _{SW} = 0.5V _{pp} , Figure 20	2.7 to 4.3		0.01		%
BW	-3 db Bandwidth	R _L = 50 Ω, C _L = 0, 5 pF Figure 6, Figure 15	2.7 to 4.3		120		MHz

Note:

5. Guaranteed by characterization, not production tested.

Capacitance

Symbol	Parameter	Conditions	T _A = - 40°C to +85°C	Unit
			Typical	
C _{IN}	Control Pin Input Capacitance	V _{CC} = 0 V	2.75	pF
C _{ON}	A/B On Capacitance	V _{CC} = 3.3 V; S[0:1] = 01, 10, 11; f = 1 MHz Figure 19	70	pF
C _{OFFA}	Port 1A, 2A Off Capacitance	V _{CC} = 3.3 V, S[0:1] = 00 Figure 18	42	pF
C _{OFFB}	Port 1Bn, 2Bn Off Capacitance	V _{CC} = 3.3 V, S[0:1] = 00 Figure 18	20	pF

Typical Characteristics

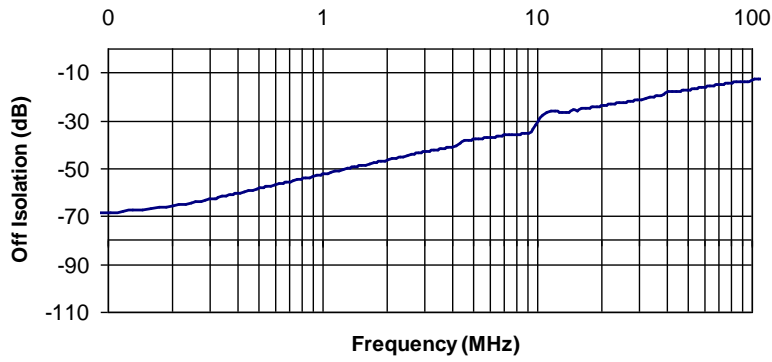


Figure 4. Off Isolation $V_{CC} = 3.3 V, C_L = 0 pF$

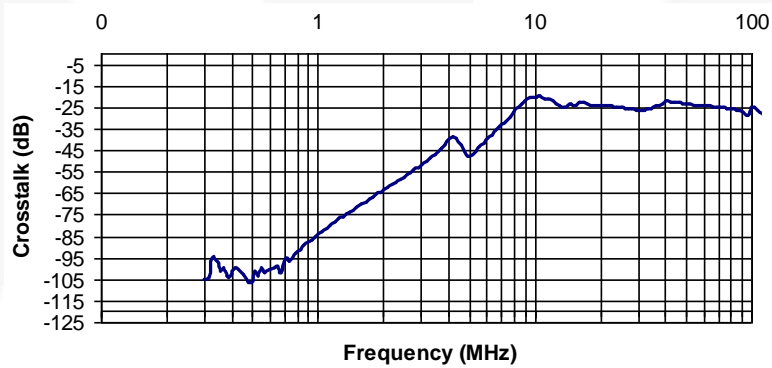


Figure 5. Non-Adjacent Crosstalk $V_{CC} = 3.3 V, C_L = 0 pF$

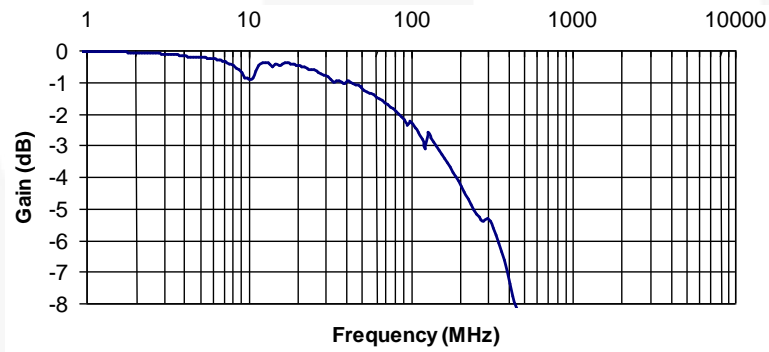


Figure 6. Bandwidth $V_{CC} = 3.3 V, C_L = 0 pF$

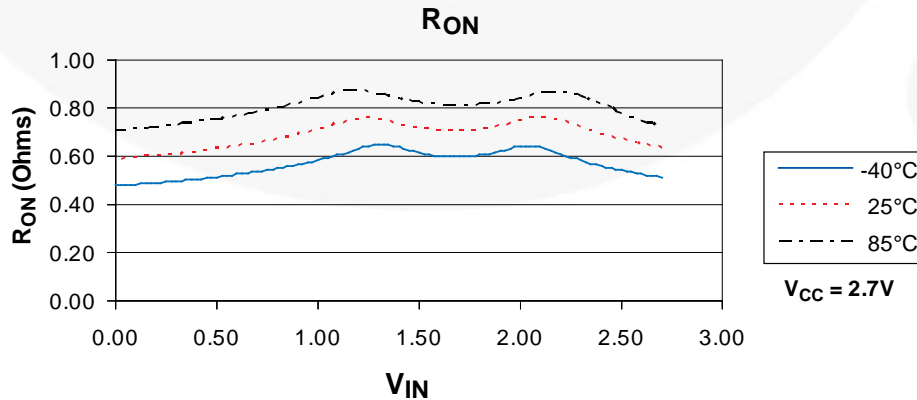


Figure 7. Switch On Resistance, $R_{ON} V_{CC} = 2.7 V$

Test Diagrams

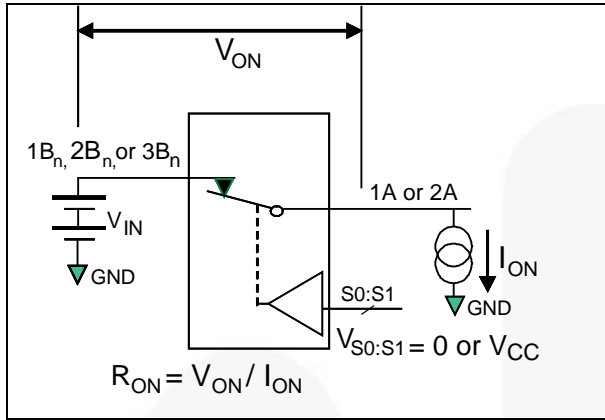


Figure 8. On Resistance

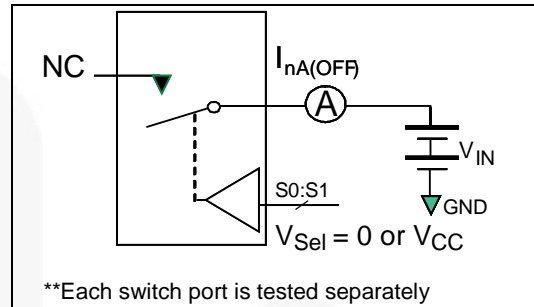
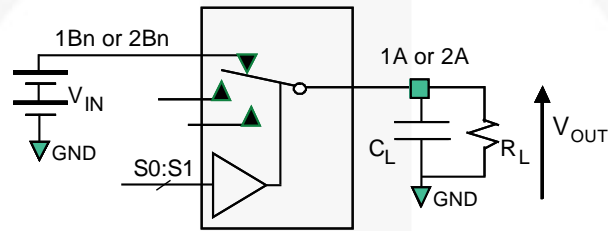
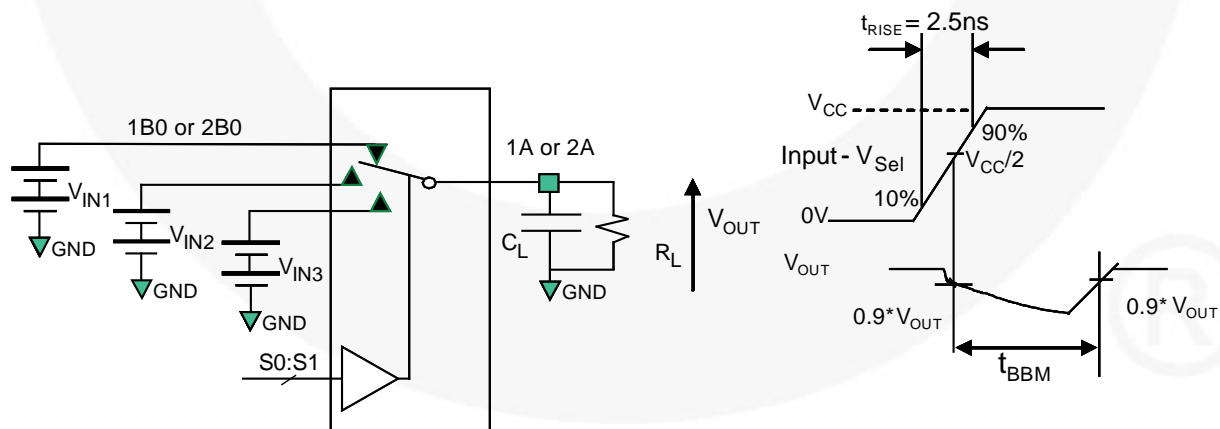


Figure 9. Off Leakage



R_L and C_L are functions of the application environment (see AC Tables for specific values)
 C_L includes test fixture and stray capacitance

Figure 10. AC Test Circuit Load



R_L and C_L are functions of the application environment (see AC Tables for specific values)
 C_L includes test fixture and stray capacitance

Figure 11. Break-Before-Make Timing

Test Diagrams (Continued)

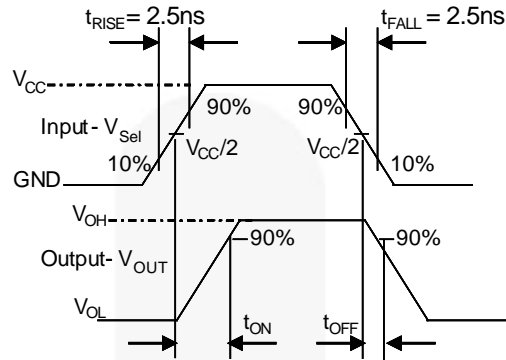


Figure 12. Turn-On / Turn-Off Waveforms

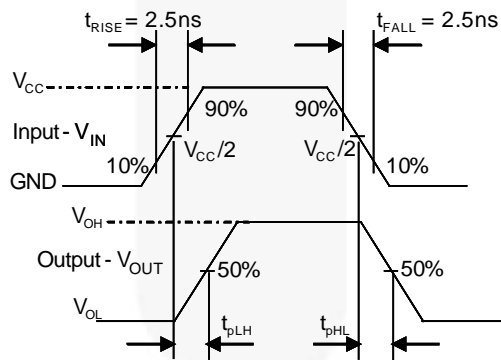


Figure 13. Switch Propagation Delay Waveforms

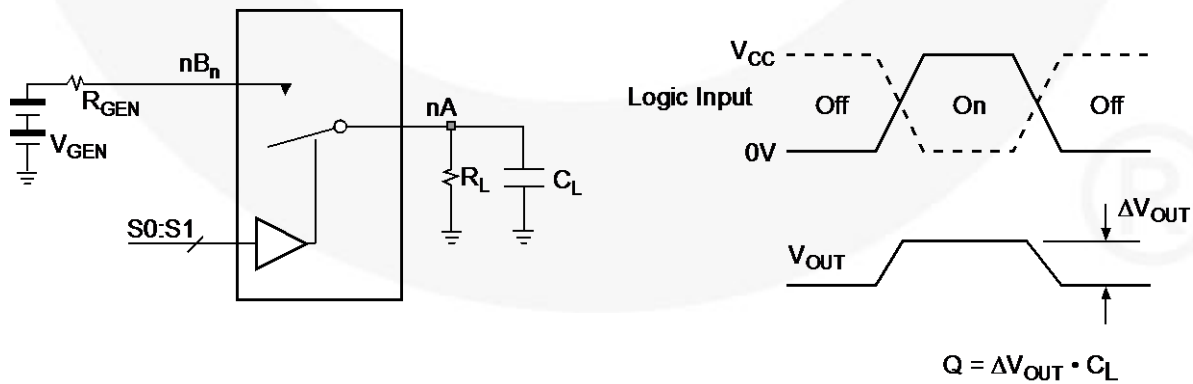


Figure 14. Charge Injection Test

Test Diagrams (Continued)

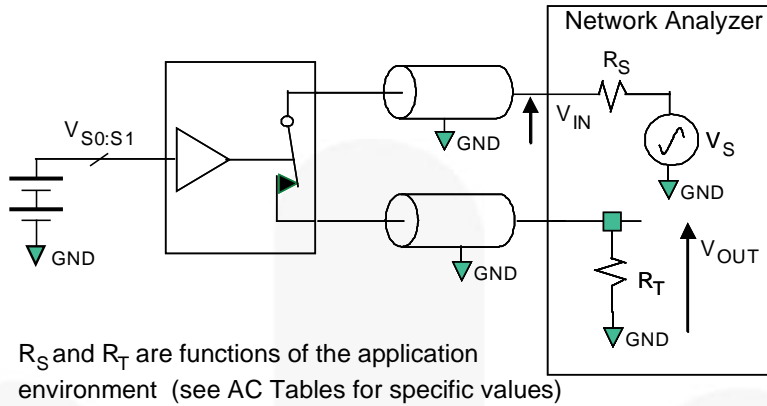


Figure 15. Bandwidth

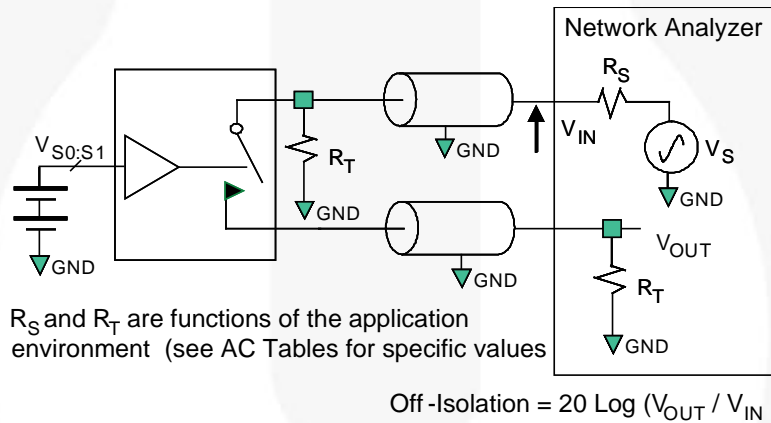


Figure 16. Channel Off Isolation

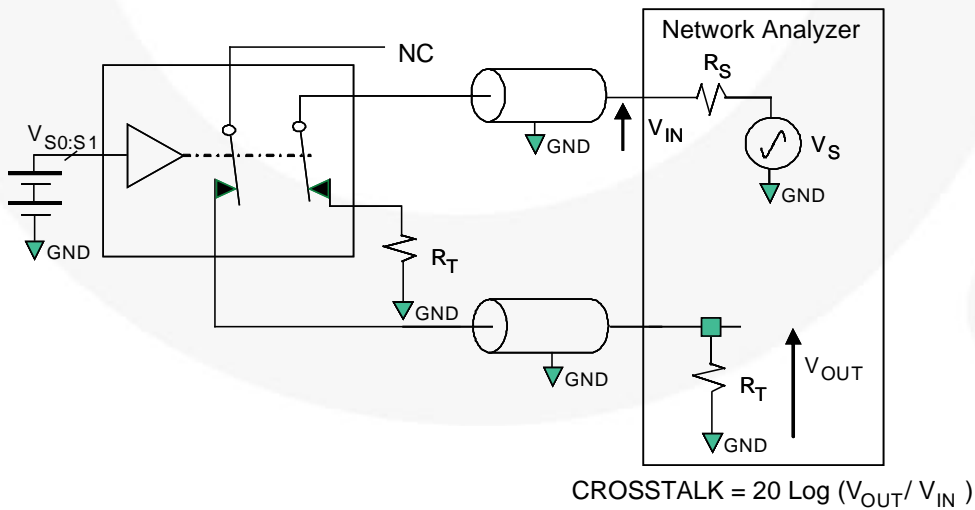


Figure 17. Non-Adjacent Channel-to-Channel Crosstalk

Test Diagrams (Continued)

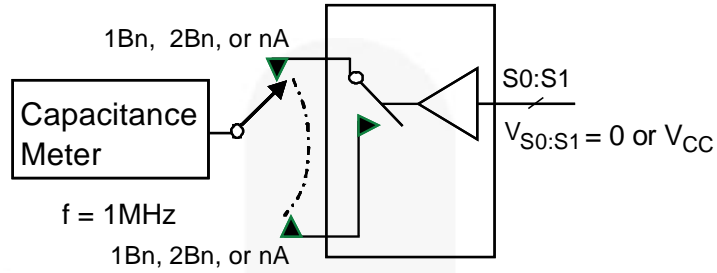


Figure 18. Channel Off Capacitance

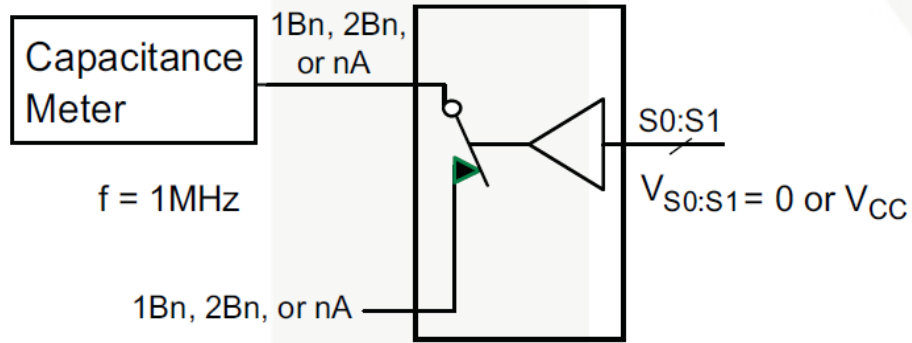


Figure 19. Channel On Capacitance

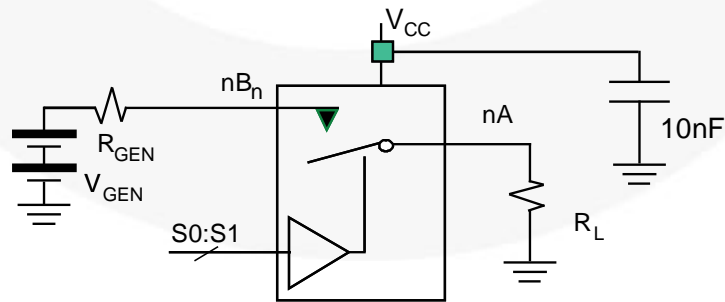
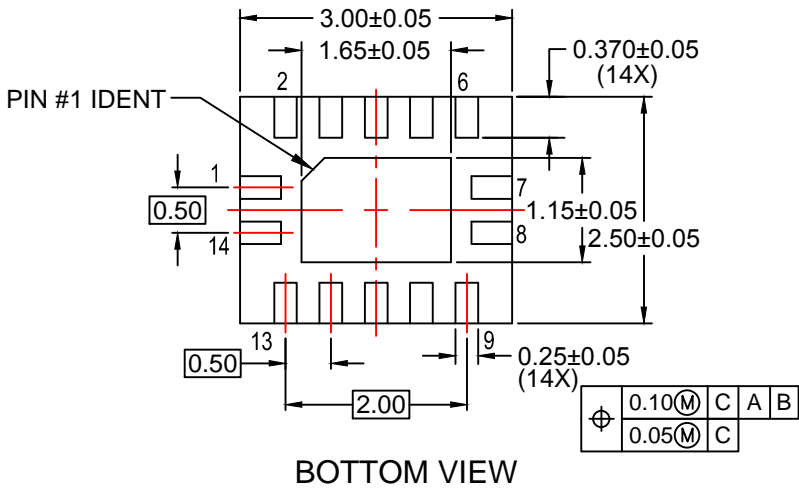
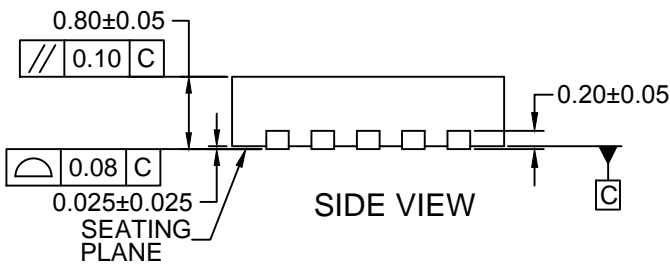
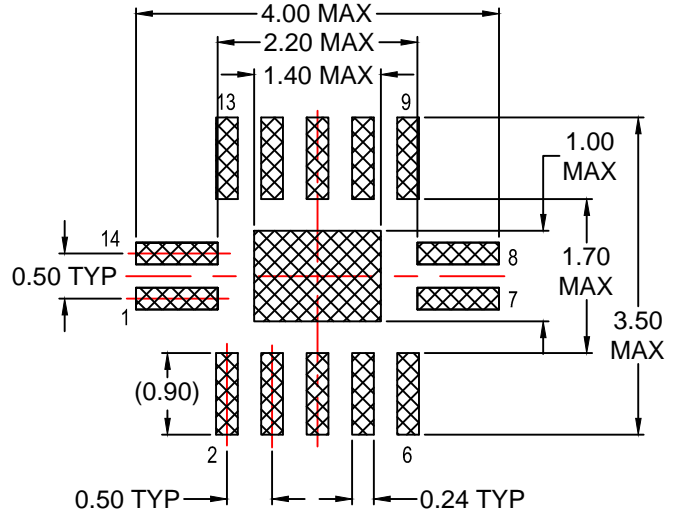
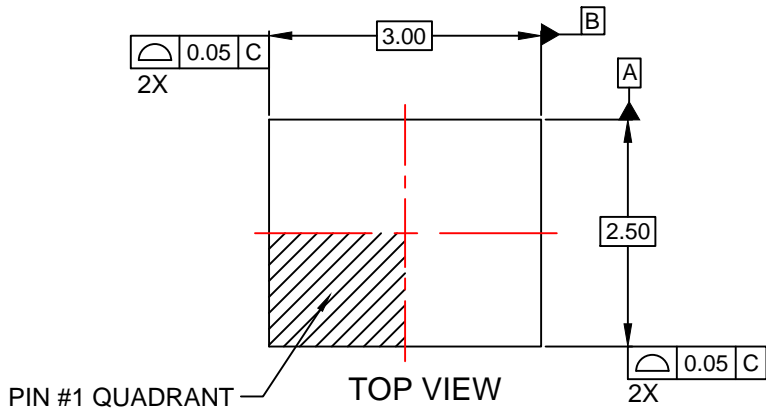


Figure 20. Total Harmonic Distortion



NOTES:

- A. CONFORMS TO JEDEC REGISTRATION MO-241, VARIATION AA
- B. DIMENSIONS ARE IN MILLIMETERS.
- C. DIMENSIONS AND TOLERANCES PER ASME Y14.5M, 2009.
- D. LAND PATTERN RECOMMENDATION IS EXISTING INDUSTRY LAND PATTERN.
- E. DRAWING FILENAME: MKT-MLP14Arev2.





TRADEMARKS

The following includes registered and unregistered trademarks and service marks, owned by Fairchild Semiconductor and/or its global subsidiaries, and is not intended to be an exhaustive list of all such trademarks.

- AccuPower™
- AttitudeEngine™
- Awinda®
- AX-CAP®*
- BitSiC™
- Build it Now™
- CorePLUS™
- CorePOWER™
- CROSSVOL™
- CTL™
- Current Transfer Logic™
- DEUXPEED®
- Dual Cool™
- EcoSPARK®
- EfficientMax™
- ESBC™
- F**™
- Fairchild®
- Fairchild Semiconductor®
- FACT Quiet Series™
- FACT®
- FastvCore™
- FETBench™
- FPS™
- F-PFS™
- FRFET®
- Global Power ResourceSM
- GreenBridge™
- Green FPS™
- Green FPS™ e-Series™
- Gmax™
- GTO™
- IntelliMAX™
- ISOPLANAR™
- Making Small Speakers Sound Louder and Better™
- MegaBuck™
- MICROCOUPLER™
- MicroFET™
- MicroPak™
- MicroPak2™
- MillerDrive™
- MotionMax™
- MotionGrid®
- MTi®
- MTx®
- MVN®
- mWSaver®
- OptoHiT™
- OPTOLOGIC®
- OPTOPLANAR®
- ®
- Power Supply WebDesigner™
- PowerTrench®
- PowerXS™
- Programmable Active Droop™
- QFET®
- QS™
- Quiet Series™
- RapidConfigure™
- ™
- Saving our world, 1mW/W/kW at a time™
- SignalWise™
- SmartMax™
- SMART START™
- Solutions for Your Success™
- SPM®
- STEALTH™
- SuperFET®
- SuperSOT™-3
- SuperSOT™-6
- SuperSOT™-8
- SupreMOS®
- SyncFET™
- Sync-Lock™
- ®
- TinyBoost®
- TinyBuck®
- TinyCalc™
- TinyLogic®
- TINYOPTO™
- TinyPower™
- TinyPWM™
- TinyWire™
- TranSiC™
- TriFault Detect™
- TRUECURRENT®*
- μSerDes™
- ™
- UHC®
- Ultra FRFET™
- UniFET™
- VcX™
- VisualMax™
- VoltagePlus™
- XS™
- Xsens™
- 仙童®

* Trademarks of System General Corporation, used under license by Fairchild Semiconductor.

DISCLAIMER

FAIRCHILD SEMICONDUCTOR RESERVES THE RIGHT TO MAKE CHANGES WITHOUT FURTHER NOTICE TO ANY PRODUCTS HEREIN TO IMPROVE RELIABILITY, FUNCTION, OR DESIGN. TO OBTAIN THE LATEST, MOST UP-TO-DATE DATASHEET AND PRODUCT INFORMATION, VISIT OUR WEBSITE AT [HTTP://WWW.FAIRCHILDSEMI.COM](http://www.fairchildsemi.com). FAIRCHILD DOES NOT ASSUME ANY LIABILITY ARISING OUT OF THE APPLICATION OR USE OF ANY PRODUCT OR CIRCUIT DESCRIBED HEREIN; NEITHER DOES IT CONVEY ANY LICENSE UNDER ITS PATENT RIGHTS, NOR THE RIGHTS OF OTHERS. THESE SPECIFICATIONS DO NOT EXPAND THE TERMS OF FAIRCHILD'S WORLDWIDE TERMS AND CONDITIONS, SPECIFICALLY THE WARRANTY THEREIN, WHICH COVERS THESE PRODUCTS.

AUTHORIZED USE

Unless otherwise specified in this data sheet, this product is a standard commercial product and is not intended for use in applications that require extraordinary levels of quality and reliability. This product may not be used in the following applications, unless specifically approved in writing by a Fairchild officer: (1) automotive or other transportation, (2) military/aerospace, (3) any safety critical application – including life critical medical equipment – where the failure of the Fairchild product reasonably would be expected to result in personal injury, death or property damage. Customer's use of this product is subject to agreement of this Authorized Use policy. In the event of an unauthorized use of Fairchild's product, Fairchild accepts no liability in the event of product failure. In other respects, this product shall be subject to Fairchild's Worldwide Terms and Conditions of Sale, unless a separate agreement has been signed by both Parties.

ANTI-COUNTERFEITING POLICY

Fairchild Semiconductor Corporation's Anti-Counterfeiting Policy. Fairchild's Anti-Counterfeiting Policy is also stated on our external website, www.fairchildsemi.com, under Terms of Use

Counterfeiting of semiconductor parts is a growing problem in the industry. All manufacturers of semiconductor products are experiencing counterfeiting of their parts. Customers who inadvertently purchase counterfeit parts experience many problems such as loss of brand reputation, substandard performance, failed applications, and increased cost of production and manufacturing delays. Fairchild is taking strong measures to protect ourselves and our customers from the proliferation of counterfeit parts. Fairchild strongly encourages customers to purchase Fairchild parts either directly from Fairchild or from Authorized Fairchild Distributors who are listed by country on our web page cited above. Products customers buy either from Fairchild directly or from Authorized Fairchild Distributors are genuine parts, have full traceability, meet Fairchild's quality standards for handling and storage and provide access to Fairchild's full range of up-to-date technical and product information. Fairchild and our Authorized Distributors will stand behind all warranties and will appropriately address any warranty issues that may arise. Fairchild will not provide any warranty coverage or other assistance for parts bought from Unauthorized Sources. Fairchild is committed to combat this global problem and encourage our customers to do their part in stopping this practice by buying direct or from authorized distributors.

PRODUCT STATUS DEFINITIONS

Definition of Terms

Datasheet Identification	Product Status	Definition
Advance Information	Formative / In Design	Datasheet contains the design specifications for product development. Specifications may change in any manner without notice.
Preliminary	First Production	Datasheet contains preliminary data; supplementary data will be published at a later date. Fairchild Semiconductor reserves the right to make changes at any time without notice to improve design.
No Identification Needed	Full Production	Datasheet contains final specifications. Fairchild Semiconductor reserves the right to make changes at any time without notice to improve the design.
Obsolete	Not In Production	Datasheet contains specifications on a product that is discontinued by Fairchild Semiconductor. The datasheet is for reference information only.

Rev. I77