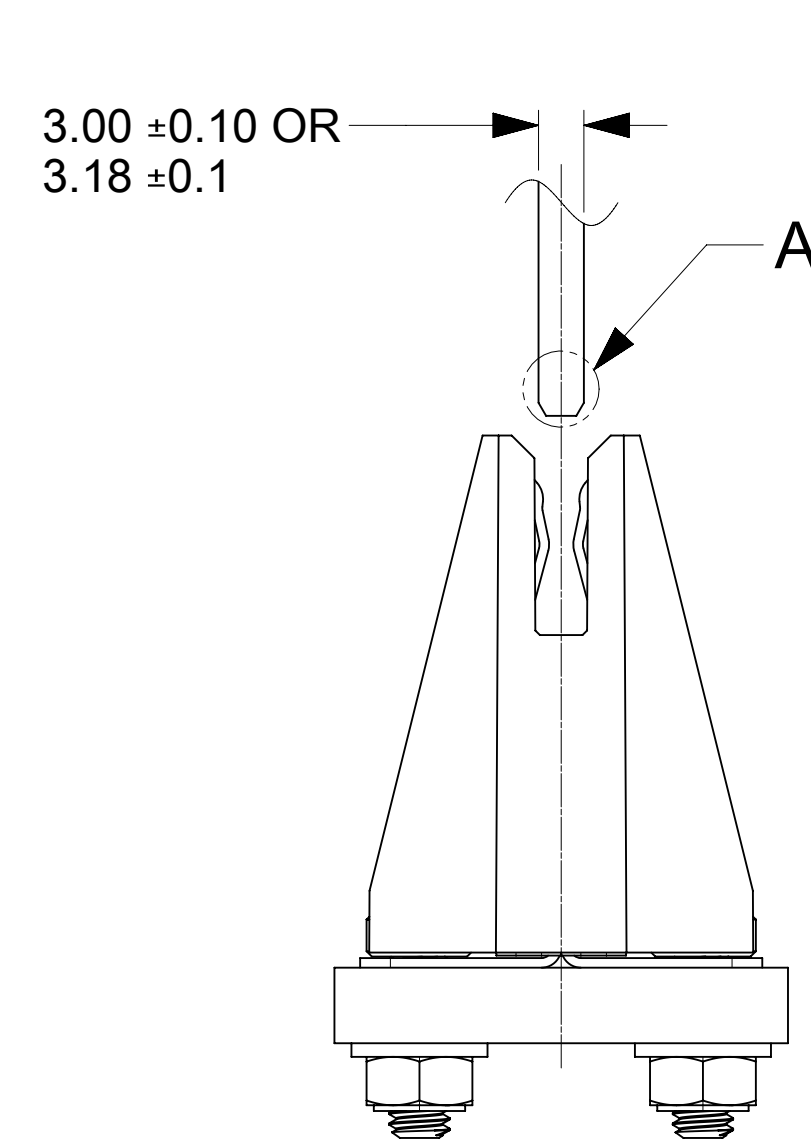
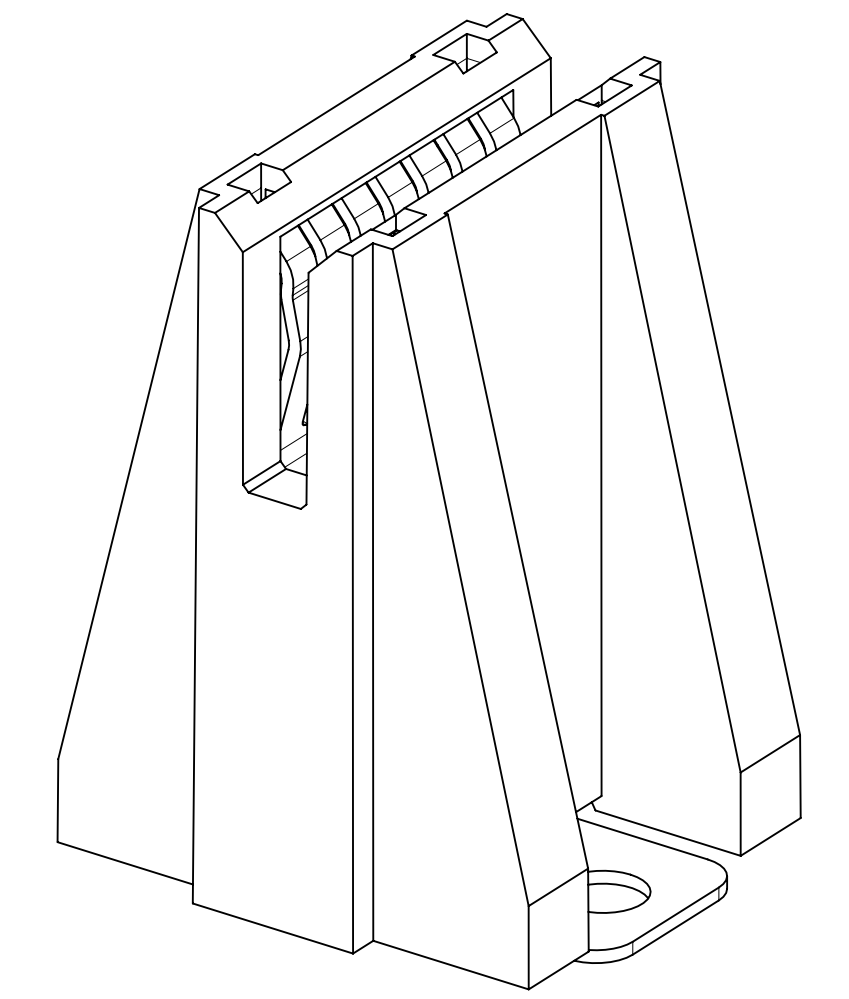
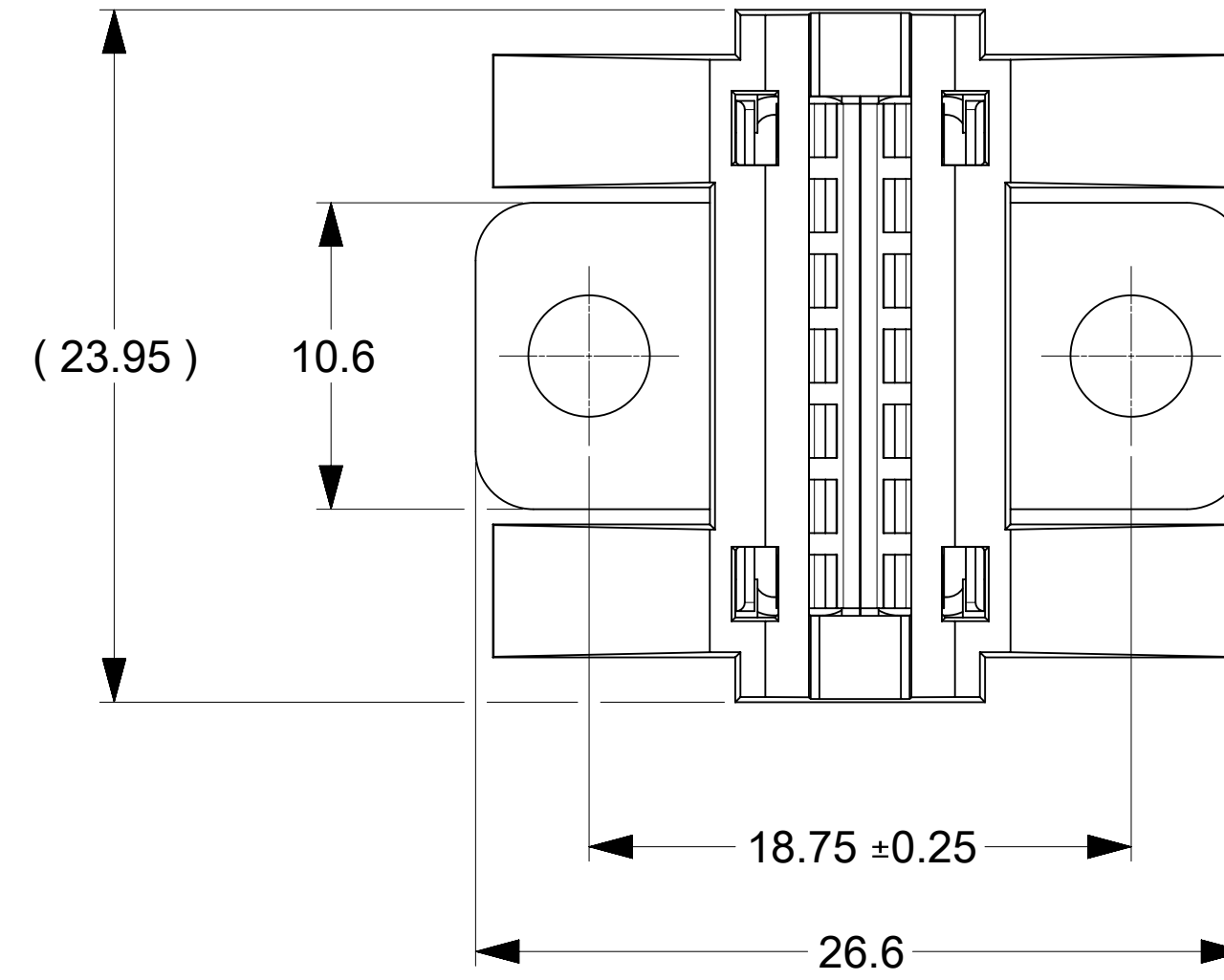
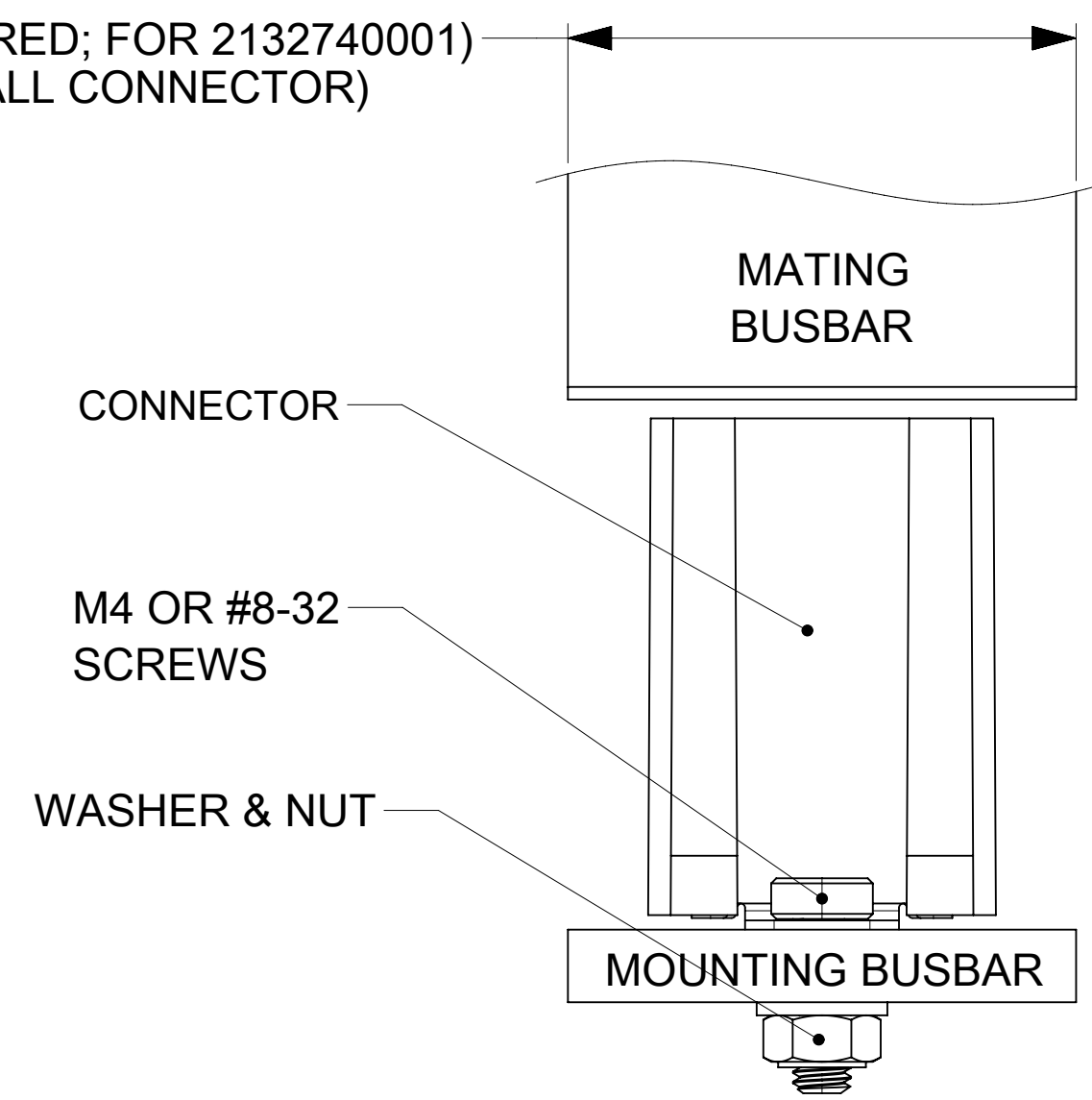


PART NUMBER	DESCRIPTION	NOTE
2132740001	OPEN SIDE WALL (SILVER)	
2132741001	CLOSED SIDE WALL (SILVER)	

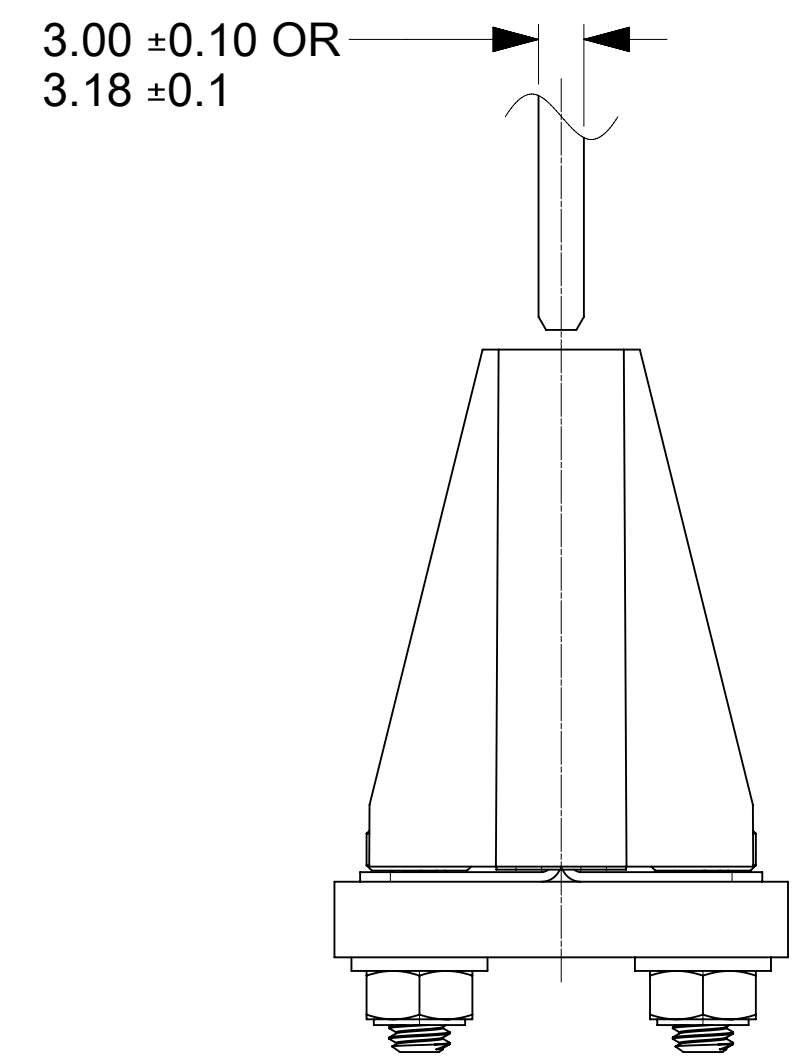
PART NUMBER	DESCRIPTION	NOTE
2132740101	OPEN SIDE WALL (TIN)	
2132741101	CLOSED SIDE WALL (TIN)	



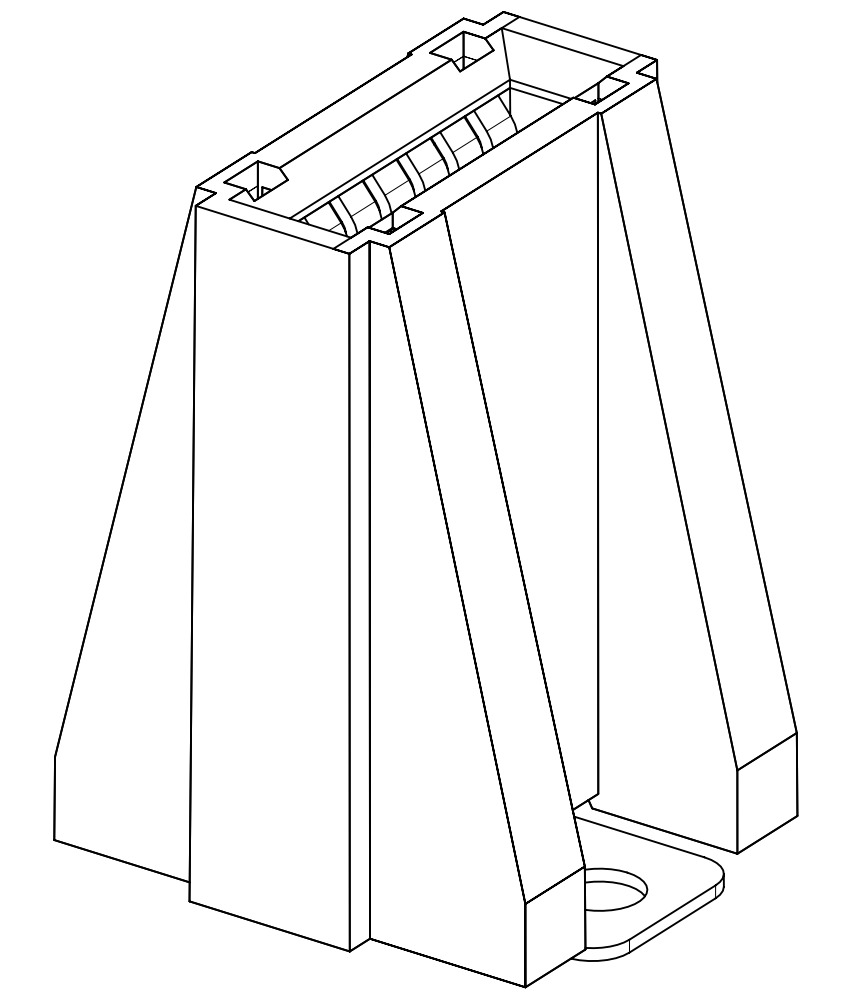
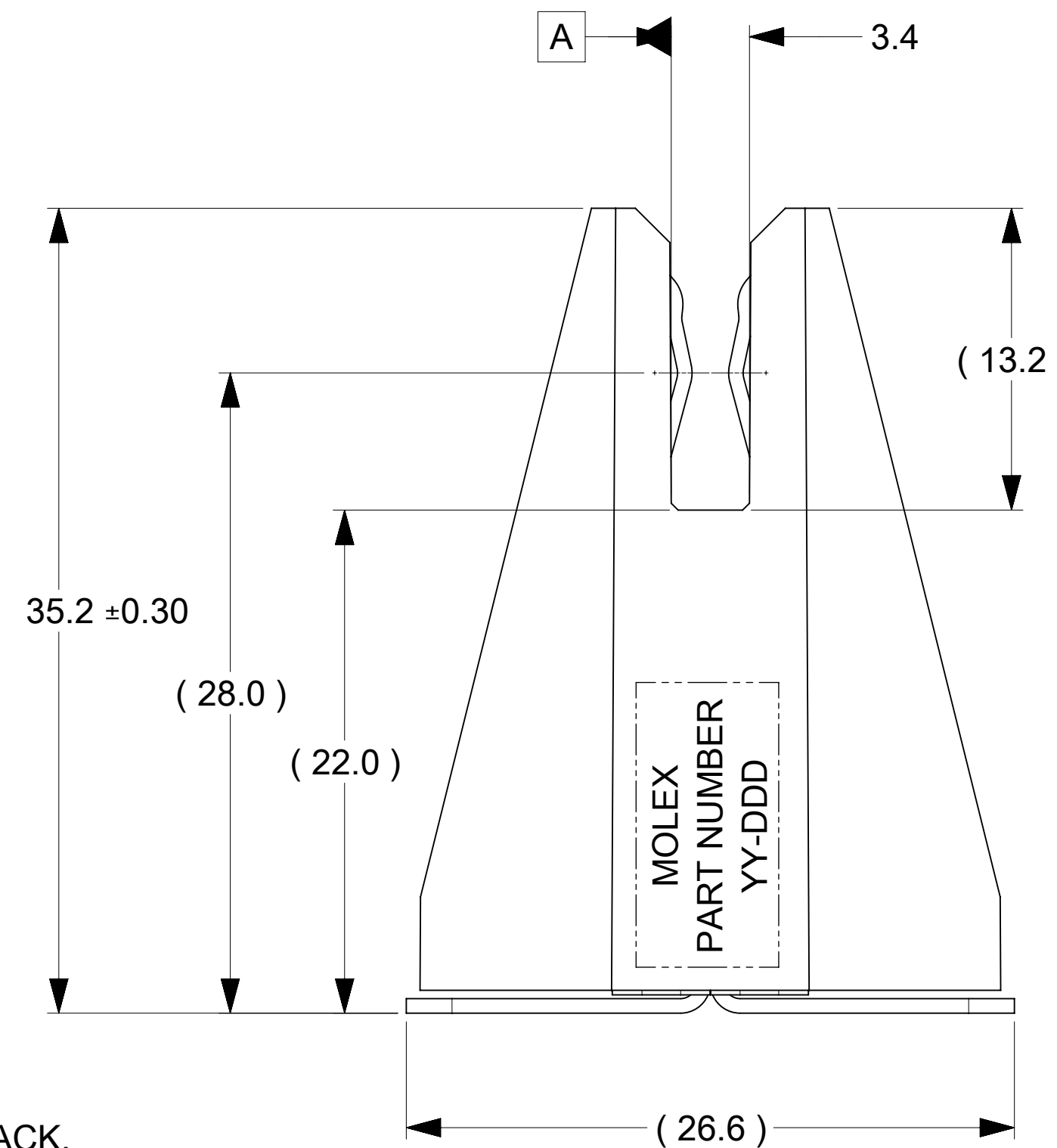
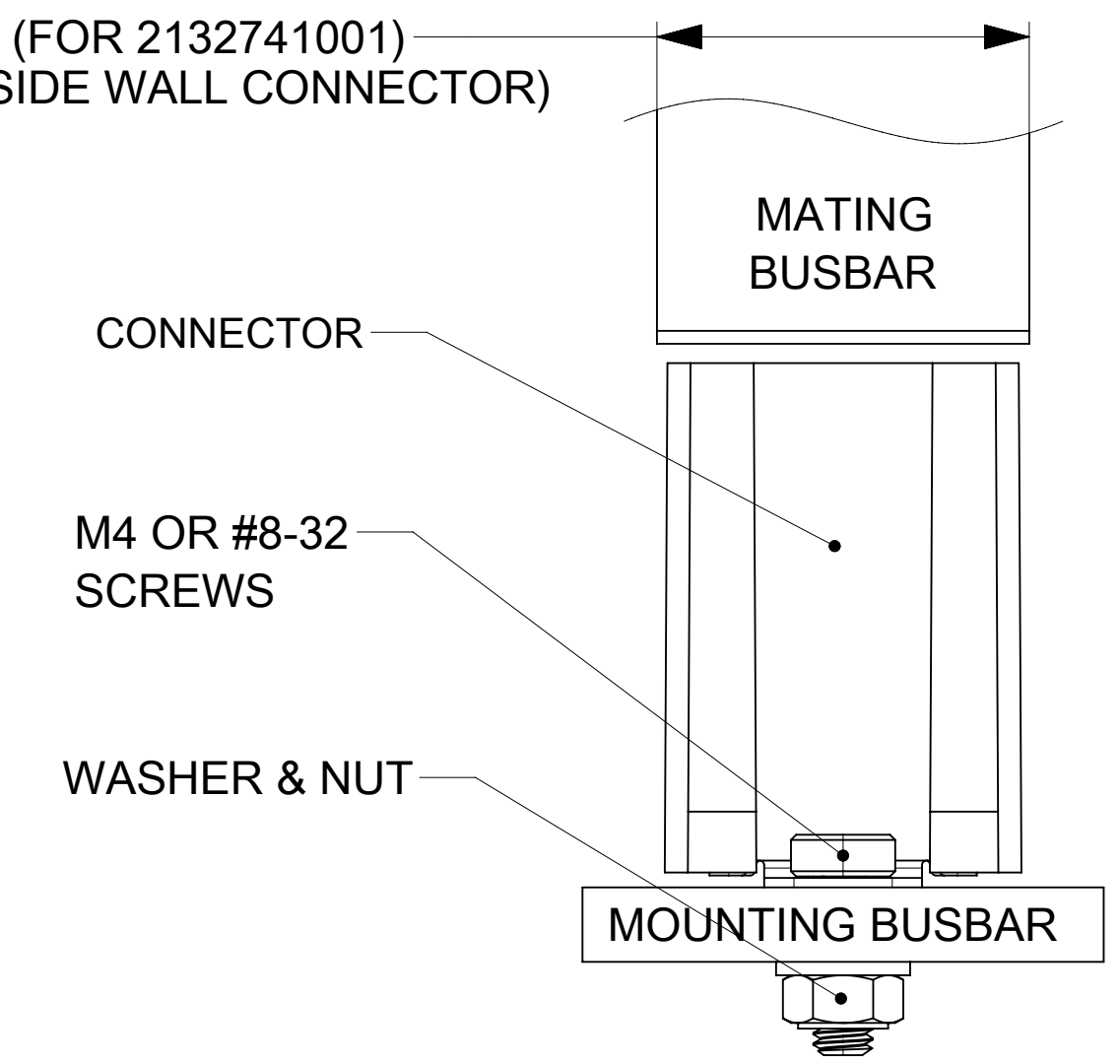
>22 (>27 IS PREFERRED; FOR 2132740001)
(OPEN SIDE WALL CONNECTOR)



PART NUMBER: 2132740001
(OPEN SIDE WALLS)

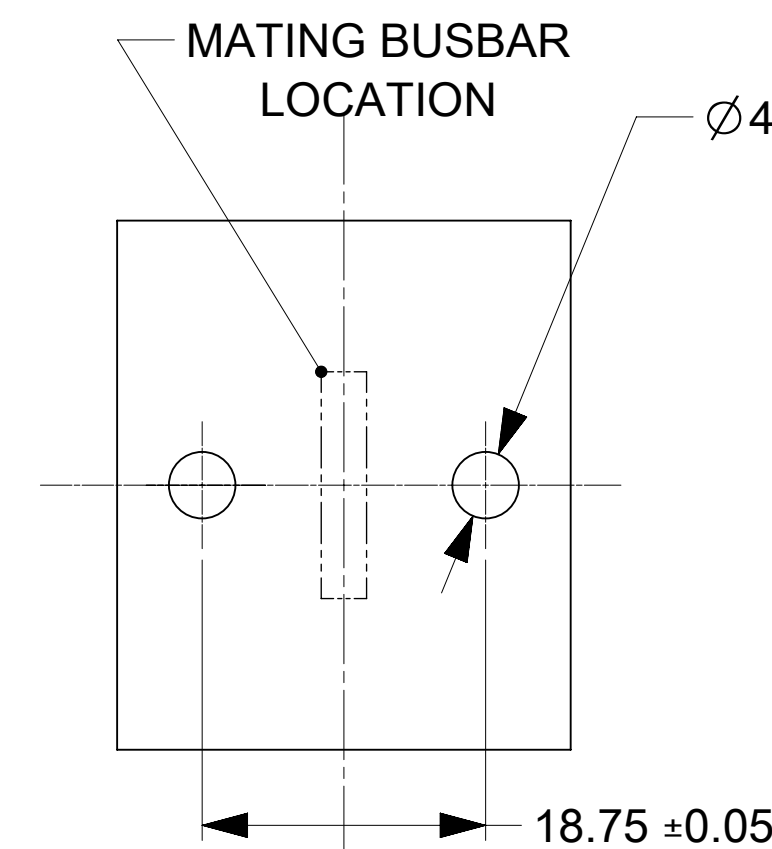


17.0 (FOR 2132741001)
(CLOSED SIDE WALL CONNECTOR)

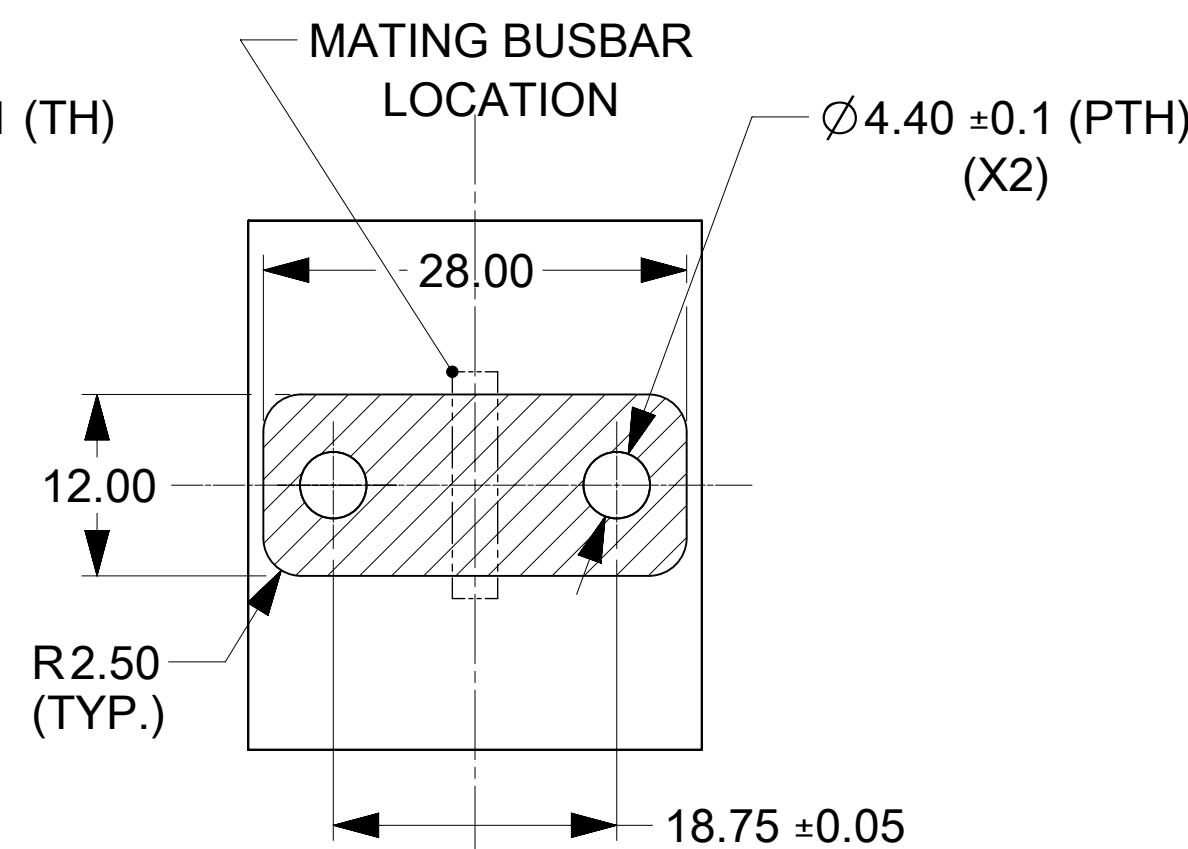


PART NUMBER: 2132741001
(CLOSED SIDE WALLS)

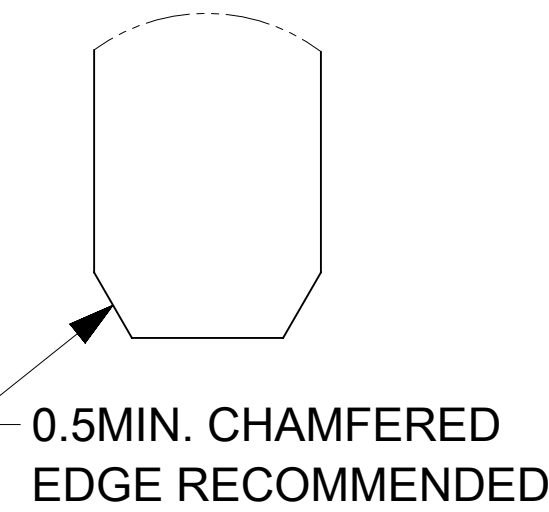
BUSBARS, SCREWS, WASHER AND NUTS
IN THESE VIEWS ARE SHOWN FOR REFERENCE



RECOMMENDED
BUSBAR LAYOUT



RECOMMENDED
PCB LAYOUT



DETAIL A
SCALE 10:1

- NOTES:
- MATERIALS:
 - HOUSING BODY: POLYMER, UL94V-0, BLACK.
 - TERMINALS: COPPER ALLOY.
 - RIVET/CLIP: COPPER ALLOY.
 - PLATING:
 - CONTACT AREAS:
 - OPTION 1: 3.18 MICRON MIN. SILVER, OVER 1.27 MICRON MIN. NICKEL.
 - OPTION 2: 2.50 MICRON MIN. MATTE TIN OV34 1.27 MICRON MIN. NICKEL.
 - TAB AREAS: 3.18 MICRON MIN. SILVER OVER 1.27 MICRON MIN. NICKEL.
 - REST: 1.27 MICRON MIN. NICKEL.
 - LUBRICATION: LUBED IN CONTACT AREA.
 - REFERENCE DOCUMENT:
 - SILVER VERSION: 2132740001-PS, 2132740001-AS.
 - TIN VERSION: 2132740002-PS, 2132740001-AS.
 - MODULE ASSEMBLY IS RoHS COMPLIANT.
 - FINAL ASSEMBLY TO BE PACKAGED AND LABELED PER PACKAGING KIT DRAWING NUMBER 2132740001-PK.

DIMENSION UNITS		SCALE	CURRENT REV DESC:	
mm		3:1		
GENERAL TOLERANCES (UNLESS SPECIFIED)				
4 PLACES	±			
3 PLACES	±			
2 PLACES	±	0.15		
1 PLACE	±	0.25		
0 PLACES	±			
DRAFT WHERE APPLICABLE MUST REMAIN WITHIN DIMENSIONS		THIRD ANGLE PROJECTION	DRAWING	SHEET
			D-SIZE	213274
			MATERIAL NUMBER	CUSTOMER
			SEE CHART	
			SHEET NUMBER	1 OF 1

molex

POWER PLANE BBC 7C VERTICAL

PRODUCT CUSTOMER DRAWING

DOCUMENT NUMBER	DOC TYPE	DOC PART	REVISION
2132740001-SD	PSD	000	B1

EC NO: 785440	2024/04/23
DRWN: JOEJ3	2024/05/09
CHK'D: JAYK1	2024/05/09
APPR: JAYK1	
INITIAL REVISION:	
DRWN: TOMLU	2021/06/22
APPR: BPISZCZOR	2022/03/09