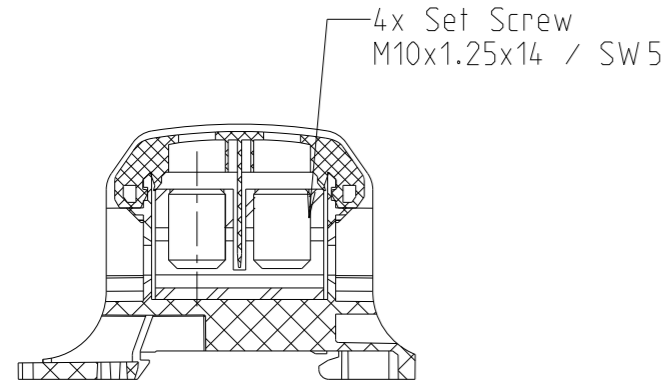
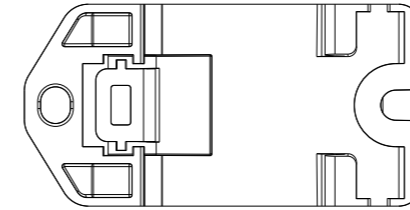
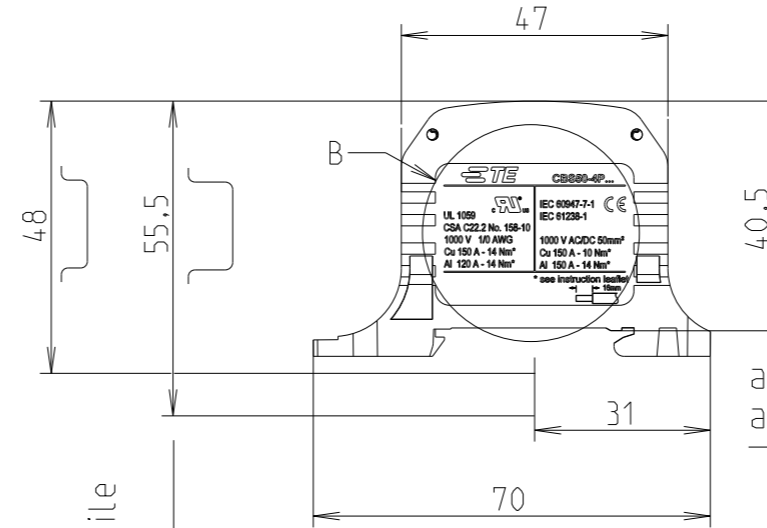
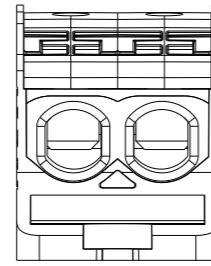


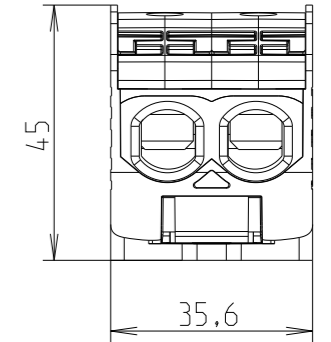
P	LTR	DESCRIPTION	DATE	DWN	APVD
A		INITIAL REVISION	02FEB2022	PS	SB
A2		Range expansion	16MAY2023	VR	VR



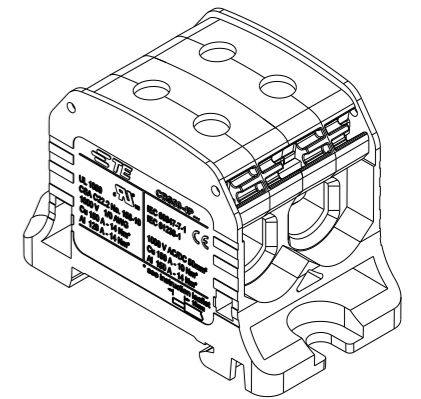
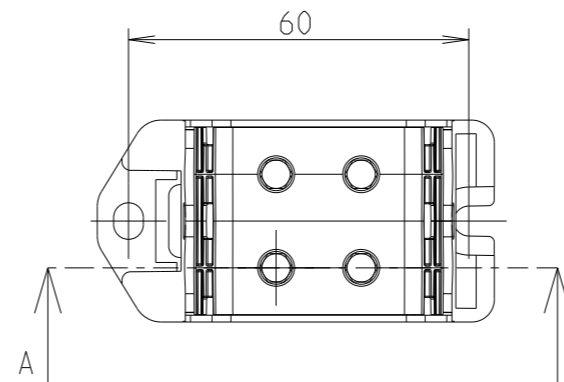
SECTION A-A



axe du profile
axis of profile



hauteur hors tout sur profile
overall height on profile



1SNF516121R0000
PART NO.

TE CBS50-4P...

UL 1059 CSA C22.2 No. 158-10 1000 V 1/0 AWG Cu 150 A - 14 Nm* Al 120 A - 14 Nm*	IEC 60947-7-1 IEC 61238-1 1000 V AC/DC 50mm ² Cu 150 A - 10 Nm* Al 150 A - 14 Nm*
---	--

* see instruction leaflet

B(7:2)

THIS DRAWING IS A CONTROLLED DOCUMENT.		16-May-23 10:12:01 AM Villard, Romain			
DIMENSIONS: mm		CHK 2023-05-16 Villard, Romain			
TOLERANCES UNLESS OTHERWISE SPECIFIED:		APVD 2023-05-16 Villard, Romain		NAME CBS50-4P-BL 1SNF516121R0000	
0 PLC ± 1 PLC ±0,1 2 PLC ±0,01 3 PLC ±0,005 4 PLC ±0,0001 ANGLES ±		PRODUCT SPEC		SIZE CAGE CODE DRAWING NO RESTRICTED TO	
MATERIAL		WEIGHT 80,119		A3 00779 ©-1SNP300333-0200	
FINISH		Customer Drawing		SCALE 3:4 SHEET 1 OF 1 REV A2	