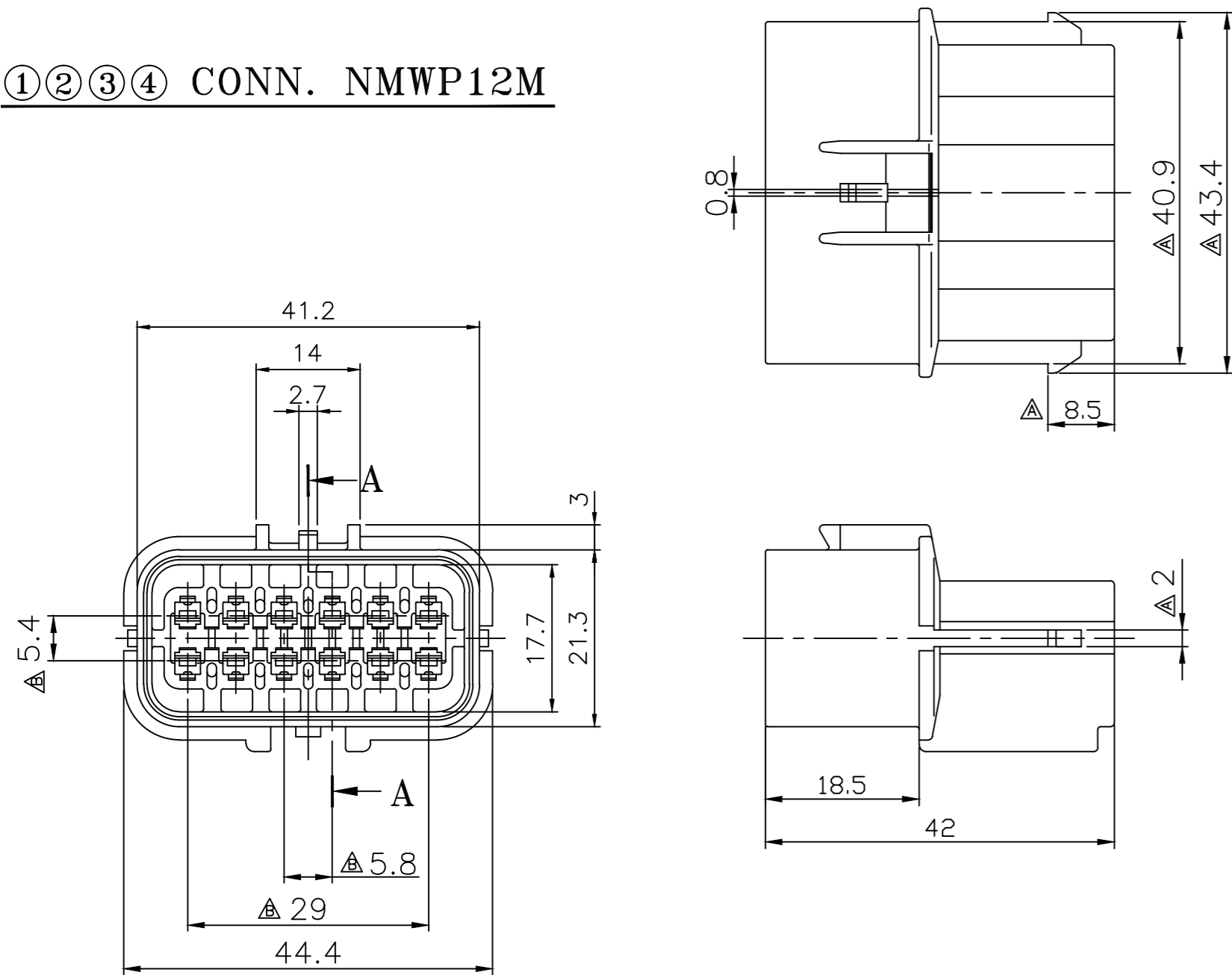
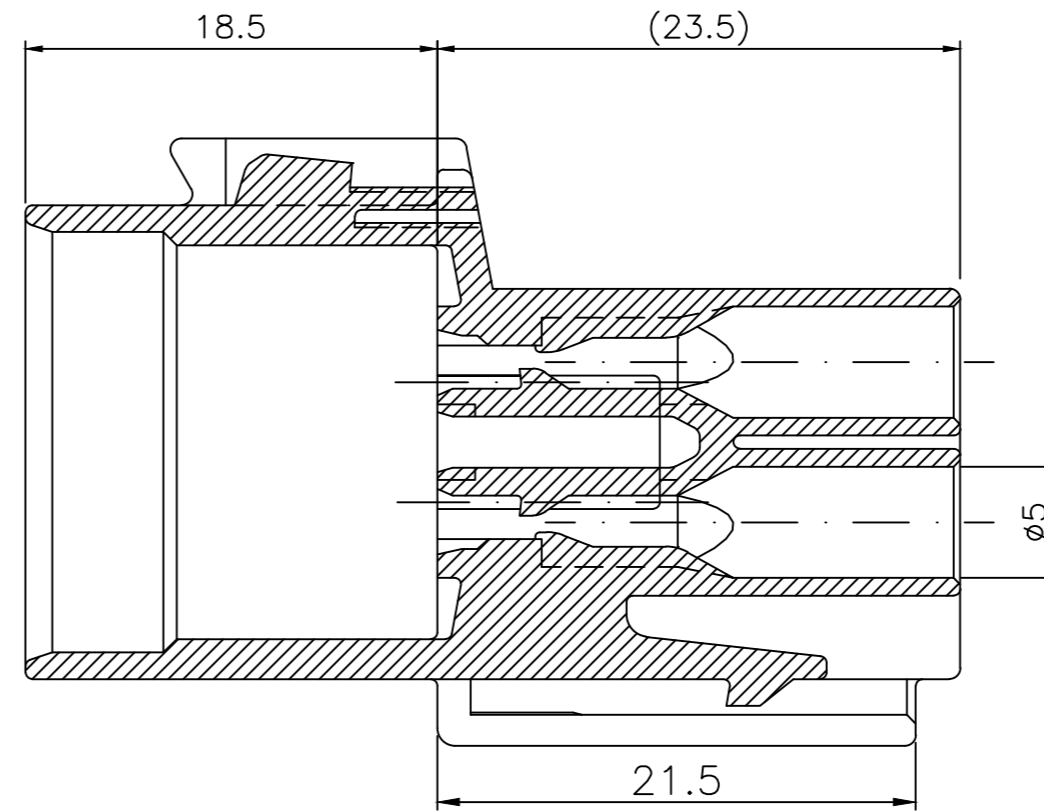
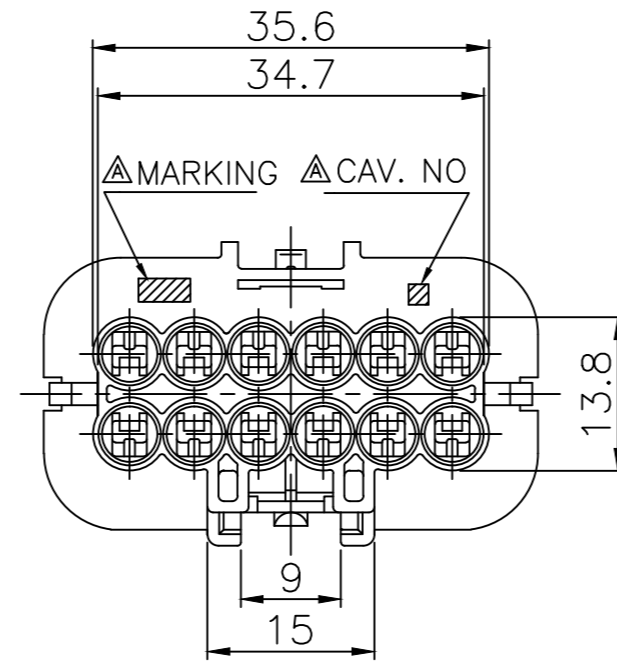
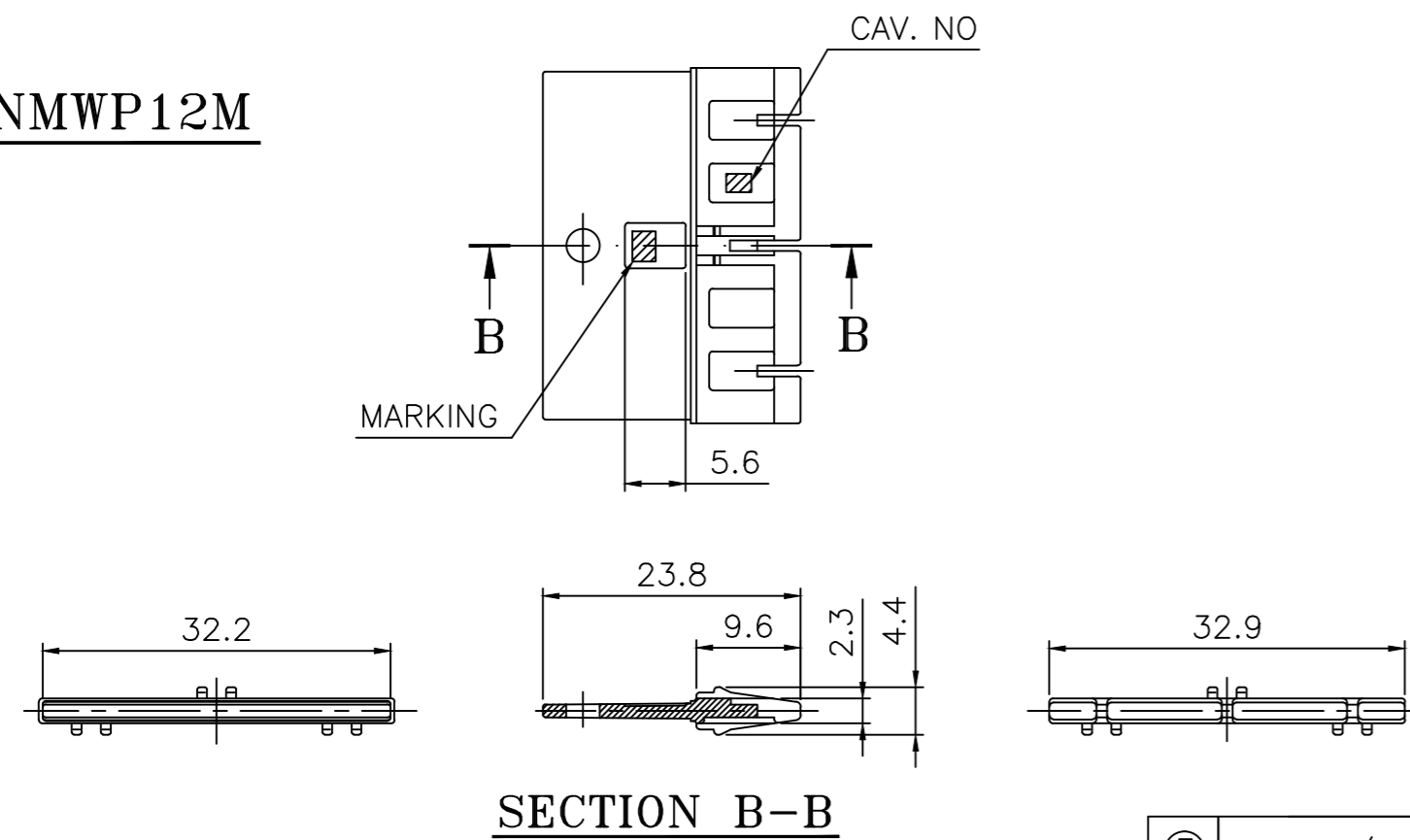


CUSTOMER DRAWING

①②③④ CONN. NMWP12M



⑤ F/H. NMWP12M



— 주 기 —

- MARKING 및 CAV. NO는 당사 규정에 의하여 각인 할 것.
- 상대 MATCHING CONNECTOR : NMWP CONN. RECEP류.
- ASSY 부품
 - FRONT HOLDER : PB871-12900
 - TERMINAL

적용 전선(SQ)	PART NAME	PART NO.
AV,AVS,AVSS 0.3~0.5 / AVX,AEX 0.5	NMWP-M-S	MT091-63080
AV,AVX,AEX,AVS,AVSS 0.75~0.85sq, AESX 0.75~0.85sq, 테프론 0.61sq	NMWP-M-SM	TN021-00200
AV,AVX,AEX,AVS,AVSS 1.25sq~2.0sq	NMWP-M-M	MT091-63280
AV,AVS,AVSS 0.3~0.5 / AVX,AEX0.5	NMWP-M-S-Au	MT091-63060
AV,AVX,AEX,AVS,AVSS 0.75~0.85sq, AESX 0.75~0.85sq, 테프론 0.61sq	NMWP-M-SM-Au	TN021-00210
AV,AVX,AEX,AVS,AVSS 1.25sq~2.0sq	NMWP-M-M-Au	MT091-63260

3) WIRE SEAL

적용 전선(SQ)	PART NAME	PART No.
AV,AVS 0.3 / AVSS 0.3~0.85sq, AESX 0.75~0.85sq, 테프론 0.61sq	W/S MWP-0.3	RS220-01100
AV 0.5,AVSS1.25/AVS,AVX,AEX0.5~0.85	W/S MWP-SS	RS220-04100
AV 0.75~0.85, AVS 1.25	W/S MWP-S	RS220-02100
AVS,AVSS 2.0 /AV,AVX,AEX 1.25~2.0	W/S MWP-W	RS220-03100
막음SEAL용 PIN	NMWP S/P ASSY	PZ001-15022

- 본 부품은 방수형 CONNECTOR임.

SECTION B-B

SECTION A-A(2/1)

⑤	F/H NMWP12M-OR	PB871-12900	ORANGE	PBT
④	CONN. NMWP12M-B-GY	PB621-12720	GRAY	PBT
③	CONN. NMWP12M-B-BR	PB621-12650	BROWN	PBT
②	CONN. NMWP12M-B-L	PB621-12640	BLUE	PBT
①	CONN. NMWP12M-B	PB621-12020	BLACK	PBT
NO.	PART NAME	PART NO.	COLOR	MATERIAL

CJW	06.07.28	E006-0040	△C	TML 사양추가 및 적용전선사양변경(5개소)	SSJ
KKL	02.08.20	-	△B	치수 추가(3개소)	KMH
CJW	99.12.20	-	△A	형상 변경(6개소)	KKL
CJW	96.11.11	-	△	신 규	KKL
승인	DATE	NOTE NO.	SYM	ALTERATION	담당

DRAWING NAME		CONN. NMWP12M-B			
DRAWING NO.		PB621-12020-C01C			

GENERAL TOLERANCE

	10MAX	50MAX	100MAX	150MAX	200MAX	200VR	ANGLE
A	±0.2	±0.3	±0.5	±0.8	±1.0	±1.4	±30'

THIRD ANGLE PROJECTION

A	1/1(2/1)	KKL	KMH	KNJ	CJW
TOLERANCE	SCALE	DESIGN	DRAWN	CHECKED	APPROVED

KUM

케이유엠