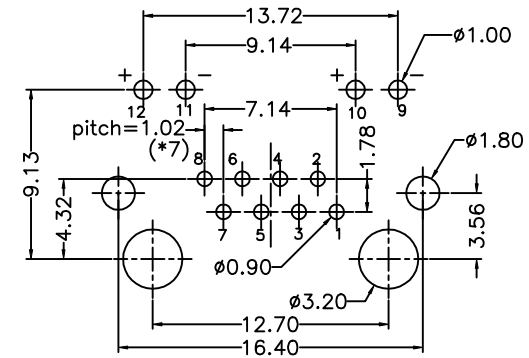
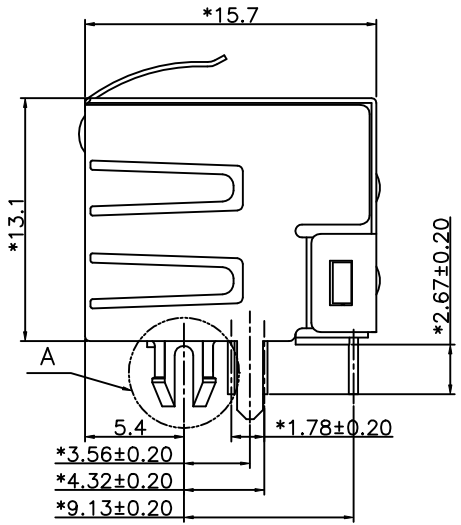
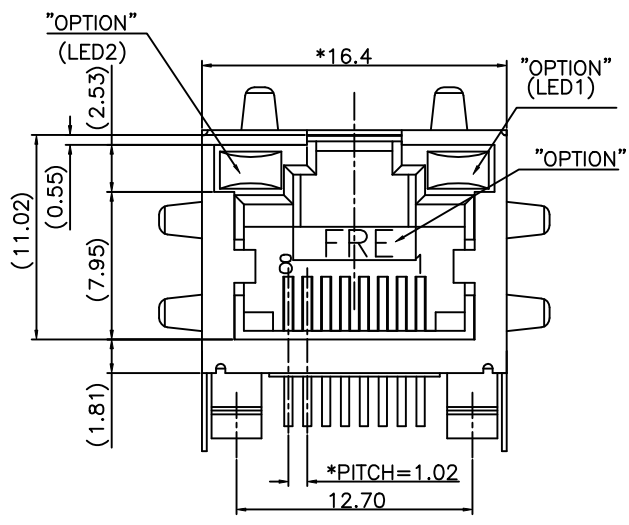
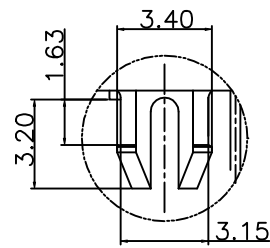


REVISION RECORD				
REV	ECO	DESCRIPTION	DRFT	CHKD



PC Board Layout(t=1.60mm)  
Component Side Shown



DETAIL "A"  
SCALE 1.5:1

**NOTES:**  
**ELECTRICAL:**

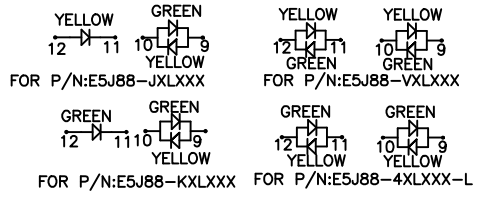
- VOLTAGE RATING : 125 VAC RMS.
- CURRENT RATING : 1.5 AMP.
- CONTACT RESISTANCE : 30 MILLIOHMS MAX.
- INSULATION RESISTANCE: 1000 MEGOHMS MIN @ 500 VDC.
- DIELECTRIC STRENGTH : 1000 VAC RMS 60Hz, 1MIN.
- LED RATINGS: FORWARD VOLTAGE: 2.2 VOLTS TYPICAL.  
REVERSE VOLTAGE: 5 VOLTS MINIMUM.
- OPERATING: 750 CYCLES MIN.

**MECHANICAL:**

- HOUSING MATERIAL : PBT+30%GF UL94V-0. COLOR-BLACK.
- INSERT MATERIAL : PBT+30%GF UL94V-0. COLOR-BLACK.
- BACK PLATE MATERIAL : PBT+30%GF COLOR-BLACK.
- LED SIZE : 3.2\*2.0\*7.0\*P=2.54mm.
- SHIELD MATERIAL : COPPER ALLOY 0.25mm THICKNESS PLATING NI.
- CONTACT MATERIAL : PHOSPHOR BRONZE 0.35mm THICKNESS OR Ø0.46.
- PLATING : GOLD PLATING OVER NICKEL.
- PCB RETENTION PRE-SOLDER : 1 LB MIN.
- PCB RETENTION POST-SOLDER: 10 LBS MIN.

**ENVIRONMENTAL:**

- STORAGE : -40°C TO +85°C.
  - OPERATION: -40°C TO +85°C.
  - WAVE SOLDERING TEMPERATURE: 230~250°(3~5 SECONDS)
- MATES WITH MODULAR PLUG CONFORMING TO  
FCC PART 68, SUBPART F.  
CUL FILE No:E163191



LEAD FREE PART NUMBER: E 5J 8 8 - X X L X X X-L

- 1-LED1:GREEN ,LED2:YELLOW
- 2-LED1:GREEN ,LED2:GREEN
- 3-LED1:YELLOW ,LED2:GREEN
- 4-LED1:G+Y ,LED2:G+Y
- 5-LED1:RED ,LED2:GREEN
- 7-LED1:YELLOW ,LED2:YELLOW
- J-LED1: G+Y ,LED2:YELLOW
- E-LED1:GREEN ,LED2:YELLOW
- K-LED1:GREEN ,LED2:RED
- V-LED1:G+G ,LED2:Y+G

- PLATING:1-3u" 2-6u" 3-15u" 4-30u" 5-50u"
- 1-Plate Tin shield stamp pin,led long 7.0mm
- 2-Plate Ni shield stamp pin,led long 7.0mm
- 3-Plate Tin shield round pin,led long 7.0mm
- 4-Plate Ni shield round pin,led long 7.0mm
- 0-W/O LOGO PBT+30%
- 2-W/ "FRE" LOGO

- 1-NO TAB
- 2-TOP TABS
- 3-SIDE TABS
- 4-TOP TABS & SIDE TABS

MM (INCH)		DFTO PETERS	DATE 03/25/05	FULL RISE ELECTRONIC CO., LTD	
TOLERANCES EXCEPT AS NOTED		CHKD/WE	DATE 2005/3/25	TITLE	
DETACHED LISTS		MFO	DATE	RJ45 SIDE ENTRY LED JACK	
MM	±	APPV/LUSH/DN0	DATE 2005/3/25	DRAWING NO. GE5J3015-LC	
.0 ± 0.20	±	MATERIAL :		SIZE	REV
.00 ± 0.15	±	QTY :		A3	0
.000 ± 0.075	±	FINISH :		/PART NO. SEE NOTE	
ANGLES ±		SCALE : 3:1		DO NOT SCALE DRAWING	SHEET 1 OF 1
THIRD ANGLE PROJECTION		DO NOT SCALE DRAWING		03/25/05	