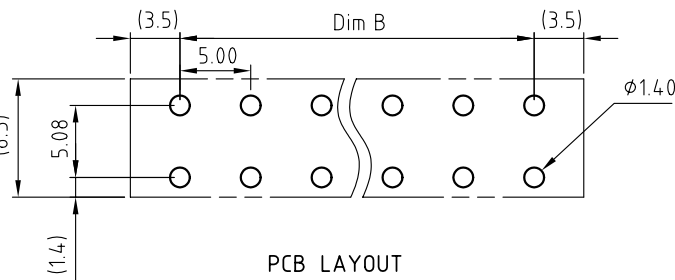
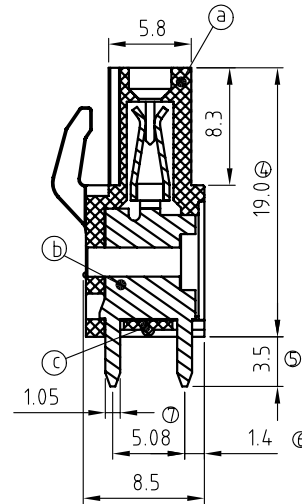
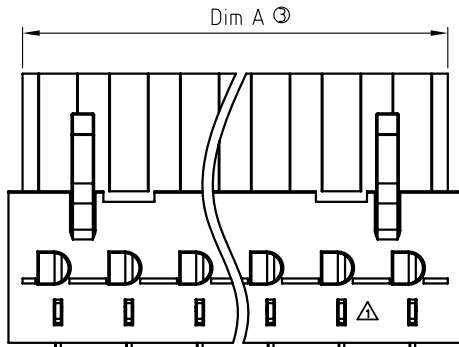
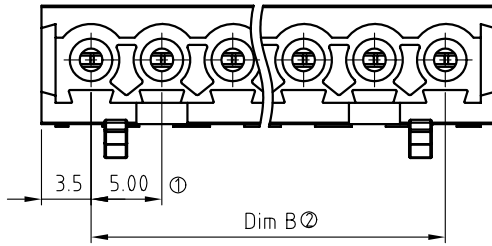
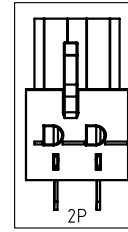


SIGN	DATE	DESCRIPTION	APPROVER
△	04.20'09	The design is changed	Jacke
△	04.20'09	The operating temperature is changed	Jacke
△	2010.01.12	Add cULus standard	Jacke
△	2010.03.31	Add the 2p mark	Jacke

**THIS IS CAD DRAWING, DO NOT REVISE MANUALLY!!!**



**Materials**

- Item a Terminal body:Thermoplastic (UL94V-0)
- Item b Female contact:PhBz(CuSn), Tin plated
- Item c Terminal cover:Thermoplastic (UL94V-0)

**Electrical cULus**

- Voltage rating: 300VAC
- Current rating: 10A
- Withstanding Voltage: 1.6kv
- △ ● Operating temperature: -40°C to +115°C
- Soldering temperature: 250°C±10°C/5 Sec
- △ ● Safety Approval: cULus

V7 xx 7 1 x 0 xxxx G

- No. OF POLES
- 02 2 CONTACTS
  - 03 3 CONTACTS
  - ... ..
  - 24 24 CONTACTS

**Color**

- 0 Black (RAL9005)
- 2 Red (RAL3001/D)
- 3 Orange(RAL2011/P)
- 4 Yellow(RAL1018/A)
- 5 Green(RAL6018/T)
- 6 Blue (RAL5015/A)
- 8 Grey(RAL7035/D)

G: Pb<40000ppm  
 0000: "@ " Logo (Standard)  
 000A: "ANYTEK" Mark  
 Any special item by customer request. please contact sales department.

Poles	02	03	04	05	06	07	08	09	10	11	12	13
Dim A	10	15	20	25	30	35	40	45	50	55	60	65
Dim B	5	10	15	20	25	30	35	40	45	50	55	60
TOL	±0.10				±0.15				±0.20			
Poles	14	15	16	17	18	19	20	21	22	23	24	
Dim A	70	75	80	85	90	95	100	105	110	115	120	
Dim B	65	70	75	80	85	90	95	100	105	110	115	
TOL	±0.20			±0.25			±0.30					

<b>ANYTEK</b>				<b>INSPECTION COPY</b>			
ALL RIGHTS RESERVED. REPRODUCTION OR ISSUE TO THIRD PARTIES IN ANY FORM WHATSOEVER IS NOT PERMITTED WITHOUT WRITTEN AUTHORITY FROM THE PROPRIETOR. PROPERTY OF ANYTEK TECHNOLOGY CO., LTD							
TITLE		V7 5.0 Series Vertical					
PART NO.		V7xx71x0xxxxG			DWG NO.		8V70202
APPROVED		CHECKED	DESIGNED	DRAWN	CUST NO.		Tolerance
			Jacke	Jacke			X. ±0.5
			2010.03.31	2010.01.12			X.X ±0.3
						UNIT: mm	X.XX ±0.1
				SHEET: 01/01		SCALE: NONE	X° ±1°
						REV.: E	

# Mouser Electronics

Authorized Distributor

Click to View Pricing, Inventory, Delivery & Lifecycle Information:

## Amphenol:

[V70271500000G](#) [V70371500000G](#) [V70471500000G](#) [V70571500000G](#) [V70671500000G](#) [V70771500000G](#)  
[V70871500000G](#) [V70971500000G](#) [V71071500000G](#) [V71171500000G](#) [V71271500000G](#) [V71371500000G](#)  
[V71471500000G](#) [V71571500000G](#) [V71671500000G](#) [V71771500000G](#) [V71871500000G](#) [V71971500000G](#)  
[V72071500000G](#) [V72171500000G](#) [V72271500000G](#) [V72371500000G](#) [V72471500000G](#) [V70371000000G](#)  
[V70471000000G](#) [V70571000000G](#)