

# KRPA-14AY-120 ✓ ACTIVE

Potter & Brumfield | Potter & Brumfield KRPA

TE Internal #: 7-1393104-7

General Purpose Power Relay, Monostable, 2.1 VA Coil Power Rating AC, 2250 ohm Coil Resistance, Potter & Brumfield KRPA, Power Relays

[View on TE.com >](#)



Relays & Contactors > Relays > Power Relays



Relay Type: **General Purpose Power Relay**

Coil Magnetic System: **Monostable**

Coil Power Rating Class: **[ 2 – 3 VA ]**

Coil Power Rating AC: **2.1 VA**

Coil Resistance: **2250  $\Omega$**

## Features

### Product Type Features

Relay Type	General Purpose Power Relay
------------	-----------------------------

### Configuration Features

Coil Special Features	UL Coil Insulation Class B
Contact Arrangement	3 Form C 3PDT-CO
Contact Number of Poles	3

### Electrical Characteristics

Insulation Initial Dielectric Between Open Contacts	1000 Vrms
Contact Limiting Making Current	10 A
Contact Limiting Short-Time Current	10 A
Contact Limiting Continuous Current	10 A
Insulation Initial Dielectric Between Adjacent Contacts	1000 Vrms
Insulation Initial Dielectric Between Contacts & Coil	1000 Vrms
Insulation Initial Resistance	1000 M $\Omega$
Contact Limiting Breaking Current	10 A
Coil Power Rating AC	2.1 VA
Coil Resistance	2250 $\Omega$
Coil Voltage Rating	120 VAC
Contact Current Rating	10 A



Contact Switching Load (Min)	100mA @ 12V
------------------------------	-------------

Contact Voltage Rating	240 VAC
------------------------	---------

### Body Features

Product Weight	85 g[2.988 oz]
----------------	----------------

### Contact Features

Contact Material	Ag
------------------	----

### Termination Features

Relay Connection Type	Plug-In
-----------------------	---------

### Mechanical Attachment

Product Mounting Feature Type	Mounting Studs
-------------------------------	----------------

Product Mount Type	Socket
--------------------	--------

### Dimensions

Product Width	35.71 mm[1.4 in]
---------------	------------------

Product Length	35.71 mm[1.4 in]
----------------	------------------

Product Height	50.8 mm[2 in]
----------------	---------------

### Usage Conditions

Environmental Category of Protection	RTI
--------------------------------------	-----

Environmental Ambient Temperature (Max)	55 °C[131 °F]
---	---------------

Operating Temperature Range	-45 – 55 °C
-----------------------------	-------------

### Operation/Application

Current Type	AC
--------------	----

Coil Magnetic System	Monostable
----------------------	------------

### Packaging Features

Packaging Method	Package
------------------	---------

### Other

Length Class (Mechanical)	35 – 40 mm
---------------------------	------------

Environmental Ambient Temperature Class	50 – 70 °C
---	------------

Height Class (Mechanical)	50 – 60 mm
---------------------------	------------

Width Class (Mechanical)	30 – 40 mm
--------------------------	------------

	2 – 3 VA
--	----------

Contact Current Class	16 A
-----------------------	------



## Product Compliance

[For compliance documentation, visit the product page on TE.com>](#)

EU RoHS Directive 2011/65/EU	Compliant
EU ELV Directive 2000/53/EC	Compliant
China RoHS 2 Directive MIIT Order No 32, 2016	No Restricted Materials Above Threshold
EU REACH Regulation (EC) No. 1907/2006	Current ECHA Candidate List: JUNE 2024 (241) Candidate List Declared Against: JUNE 2022 (224) Does not contain REACH SVHC
Halogen Content	Not Yet Reviewed for halogen content
Solder Process Capability	Not applicable for solder process capability

### Product Compliance Disclaimer

This information is provided based on reasonable inquiry of our suppliers and represents our current actual knowledge based on the information they provided. This information is subject to change. The part numbers that TE has identified as EU RoHS compliant have a maximum concentration of 0.1% by weight in homogenous materials for lead, hexavalent chromium, mercury, PBB, PBDE, DBP, BBP, DEHP, DIBP, and 0.01% for cadmium, or qualify for an exemption to these limits as defined in the Annexes of Directive 2011/65/EU (RoHS2). Finished electrical and electronic equipment products will be CE marked as required by Directive 2011/65/EU. Components may not be CE marked. Additionally, the part numbers that TE has identified as EU ELV compliant have a maximum concentration of 0.1% by weight in homogenous materials for lead, hexavalent chromium, and mercury, and 0.01% for cadmium, or qualify for an exemption to these limits as defined in the Annexes of Directive 2000/53/EC (ELV). Regarding the REACH Regulation, the information TE provides on SVHC in articles for this part number is based on the latest European Chemicals Agency (ECHA) 'Guidance on requirements for substances in articles' posted at this URL: <https://echa.europa.eu/guidance-documents/guidance-on-reach>

## Compatible Parts

 <p>TE Part # 1393143-7 27E123=SOCKET,KRPA,11,SCW,PLE</p>	 <p>TE Part # 2-1419106-4 27E892=SOCKET,KRPA,11,OCTAL,PO</p>
--	---

## Also in the Series | [Potter & Brumfield KRPA](#)

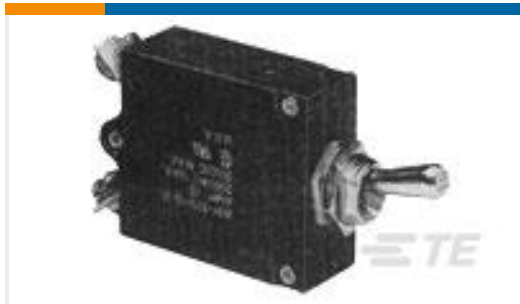


Power Relays(45)

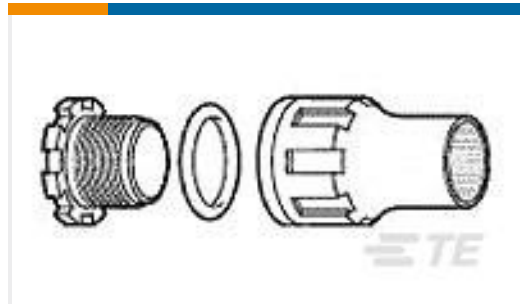


Relay Accessories(4)

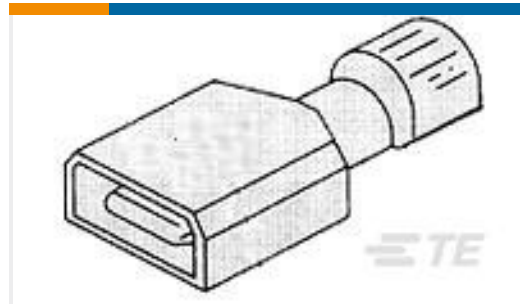
## Customers Also Bought



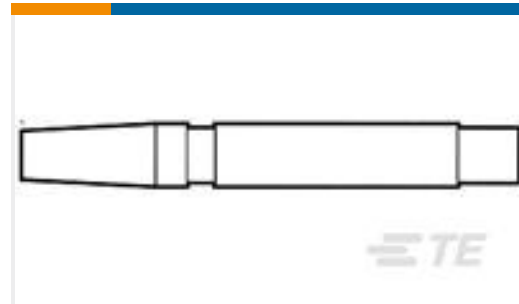
TE Part #3-1393247-3  
W31-X2M1G-15=W23/W31



TE Part #967279-001  
CES-2



TE Part #2-520103-2  
ULTRA-FAST 250 ASSEMBLY TAB 22-18 AWG BR



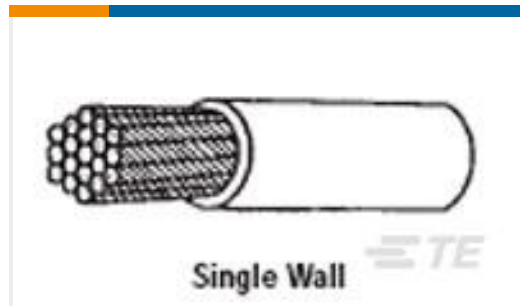
TE Part #200821-1  
CMNL KEYING PLUG



TE Part #4-1393249-1  
W58-XC4C12A-15=W58



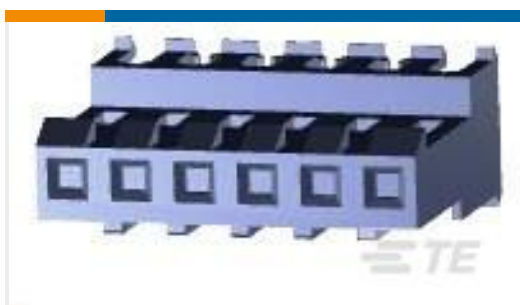
TE Part #5660014001  
SFR-1/4-0-SP



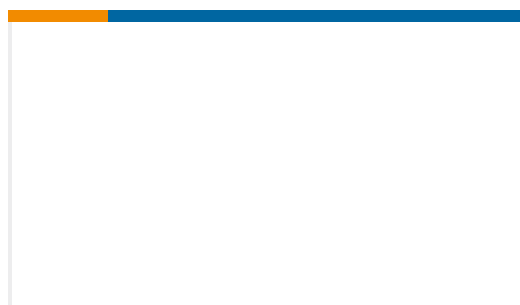
TE Part #609395-000  
82A0111-28-8



TE Part #2-34119-1  
TERMINAL,SOLIS R 16-14 4



TE Part #3-641229-6  
06P MTA156 CONN ASSY 22AWG LF



TE Part #YDBC53H-1210PNV001  
HERM RECP

## Documents

### CAD Files

[3D PDF](#)

[3D](#)

### Customer View Model

[ENG\\_CVM\\_CVM\\_7-1393104-7\\_D.2d\\_dxf.zip](#)

English

### Customer View Model

[ENG\\_CVM\\_CVM\\_7-1393104-7\\_D.3d\\_igs.zip](#)



English

### Customer View Model

[ENG\\_CVM\\_CVM\\_7-1393104-7\\_D.3d\\_stp.zip](#)

English

By downloading the CAD file I accept and agree to the [Terms and Conditions](#) of use.

---

### Datasheets & Catalog Pages

[KRPA, KRP, KA, KR 5 to 10 Amp General Purpose Relay](#)

English

### KR Sockets & Accessories

English

---

### Product Specifications

[Definitions General Purpose Relays](#)

English

---

### Agency Approvals

[UL](#)

English