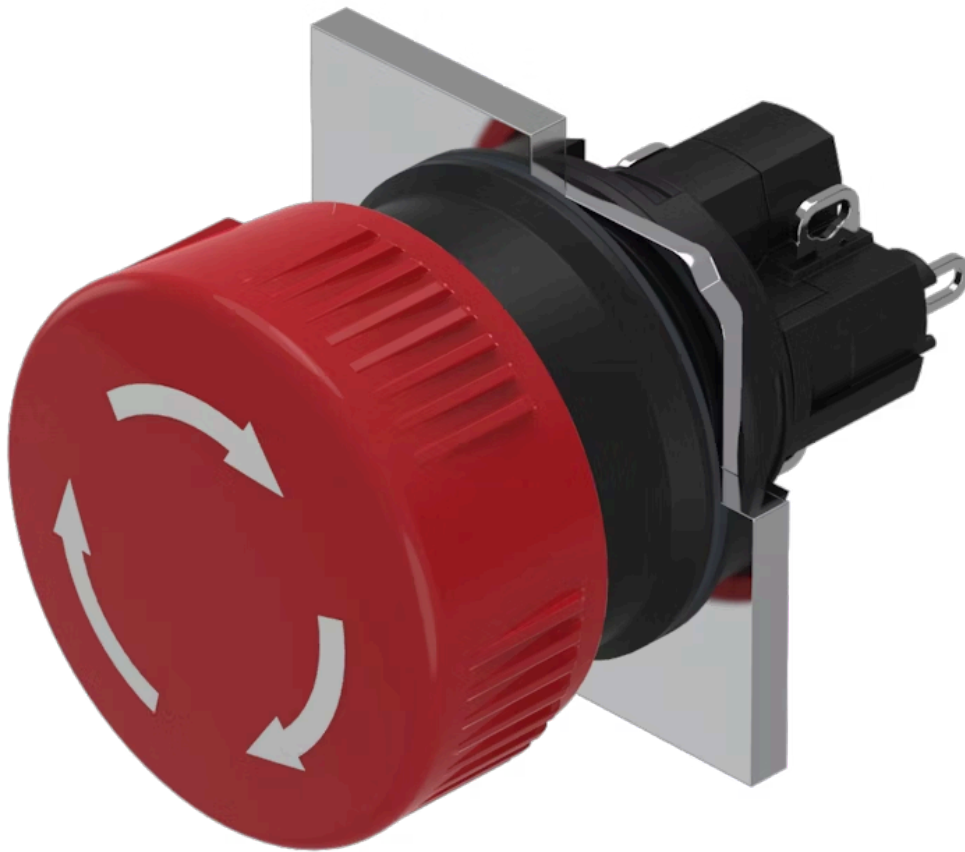


# Actuator

51-  
256.025



<https://eao.com/p/51-256.025>

Your product:

---



## 51-256.025 Actuator

### FRONT

<b>Front form:</b>	round
<b>Front dimension:</b>	Ø 24,5 mm

### MOUNTING

<b>Design:</b>	raised
<b>Mounting type:</b>	Panel mounting

### OPERATING-/INDICATION PART

<b>Lens material:</b>	Plastic
<b>Lens shape:</b>	mushroom-head
<b>Lens illumination:</b>	non illuminative
<b>Lens optics:</b>	opaque
<b>Lens colour:</b>	Red

### ELECTRICAL CHARACTERISTICS

<b>Switching voltage and switching current:</b>	250 VAC, 5 A (ohmic) 24 VDC, 2 A (inductive, L:R = 30 ms)
<b>Switching rating:</b>	250 V @ 5 A
<b>Contacts:</b>	1 NC / 1 NO

### MECHANICAL CHARACTERISTIC

<b>Switching action:</b>	Maintained
<b>Mechanical lifetime:</b>	100 000 cycles of operation

<b>Tightening torque:</b>	Fixing nut max. 0.5 Nm
<b>Contact material:</b>	Gold
<b>Weight:</b>	0.011 kg
<b>Switching system:</b>	Self-cleaning, double-break snap action switching system, 1 normally closed and 1 normally open contact per element.
<b>Switching system:</b>	Snap-action switching element
<b>Terminal:</b>	Soldering terminal
<b>Operating force:</b>	18 ... 21 N (depending on the switching element)

### **AMBIENT CONDITION**

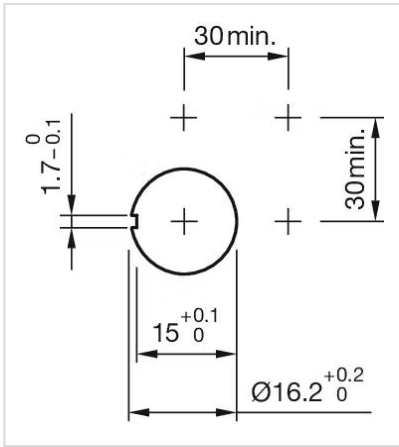
<b>Storage temperature:</b>	- 40 °C ... + 85 °C
<b>Operating temperature:</b>	- 25 °C ... + 55 °C
<b>IP front protection:</b>	IP65, according to DIN EN 60529

### **CERTIFICATE**

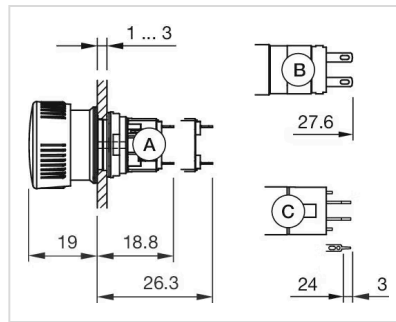
<b>RoHS:</b>	RoHS compliant
<b>REACH:</b>	REACH compliant
<b>Conformities:</b>	CE, UKCA, 2006 / 42 / EC (MD), 2011 / 65 / EC (RoHS)
<b>Approbations:</b>	CB (IEC 61058-1), CSA, ENEC (EN 61058-1), UL

### **OTHER**

<b>Hints:</b>	Marking arrows
<b>Housing colour:</b>	Black
<b>Short Description:</b>	Actuator, Ø 24,5 mm, mushroom-head, non illuminative, Red, Plastic, opaque, round, 1 NC / 1 NO, Maintained, Soldering terminal, IP65, according to DIN EN 60529
<b>Mounting cut-outs:</b>	



**Dimension drawings:**



- A = Solder terminal
- B = Plug-in terminal 2.8 mm x 0.5 mm
- C = Universal terminal 2.0 mm x 0.5 mm

**Wiring diagrams:**

